

- 1
- 2
- 3
- 4
- 5
- 6
- 7
- 8
- 9
- 10
- 11
- 12
- 13
- 14
- 15
- 16
- 17
- 18

MATERIAL

High-resilience polypropylene based (PP) technopolymer, coated with "soft-touch" thermoplastic elastomer (TPE) chemically bonded, hardness 70 Shore A, black colour, matte finish.

The coating material is produced from FDA compliant raw material (FDA CFR.21 and EU 10/2011).

STANDARD EXECUTIONS

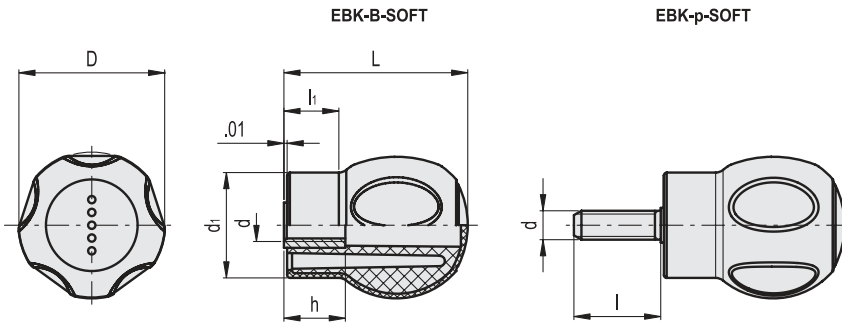
- **EBK-B-SOFT:** brass boss, threaded blind hole.
- **EBK-p-SOFT:** zinc-plated steel threaded stud, chamfered flat end ISO 4753 (see Technical Data on page A-10).

FEATURES AND APPLICATIONS

The coating, with "soft-touch" elastomer, improves the grip even in the presence of oils, greases and sweat from the hand. For this reason it is suitable for fitness machines, tools and machines for gardening and goods transport, high-precision instruments and disability aids.

OTHER EXECUTIONS ON REQUEST

- Standard metric holes.
- Standard metric threaded studs.



EBK-B-SOFT

INCH

Code	Description	D	L	d2B	d1	h	l1	⚖
90245203-C1	EBK.50 B-5/16-18-C1	1.97	2.52	5/16-18	1.46	0.79	0.79	0.19
90245205-C1	EBK.50 B-3/8-16-C1	1.97	2.52	3/8-16	1.46	0.79	0.79	0.18

EBK-p-SOFT

INCH

Code	Description	D	L	d2A	d1	l	l1	⚖
90245233-C1	EBK.50 p-5/16-18x3/4-C1	1.97	2.52	5/16-18	1.46	0.750	0.79	0.18
90245244-C1	EBK.50 p-3/8-16x1-C1	1.97	2.52	3/8-16	1.46	1.000	0.79	0.24

Fixed & Revolving handles