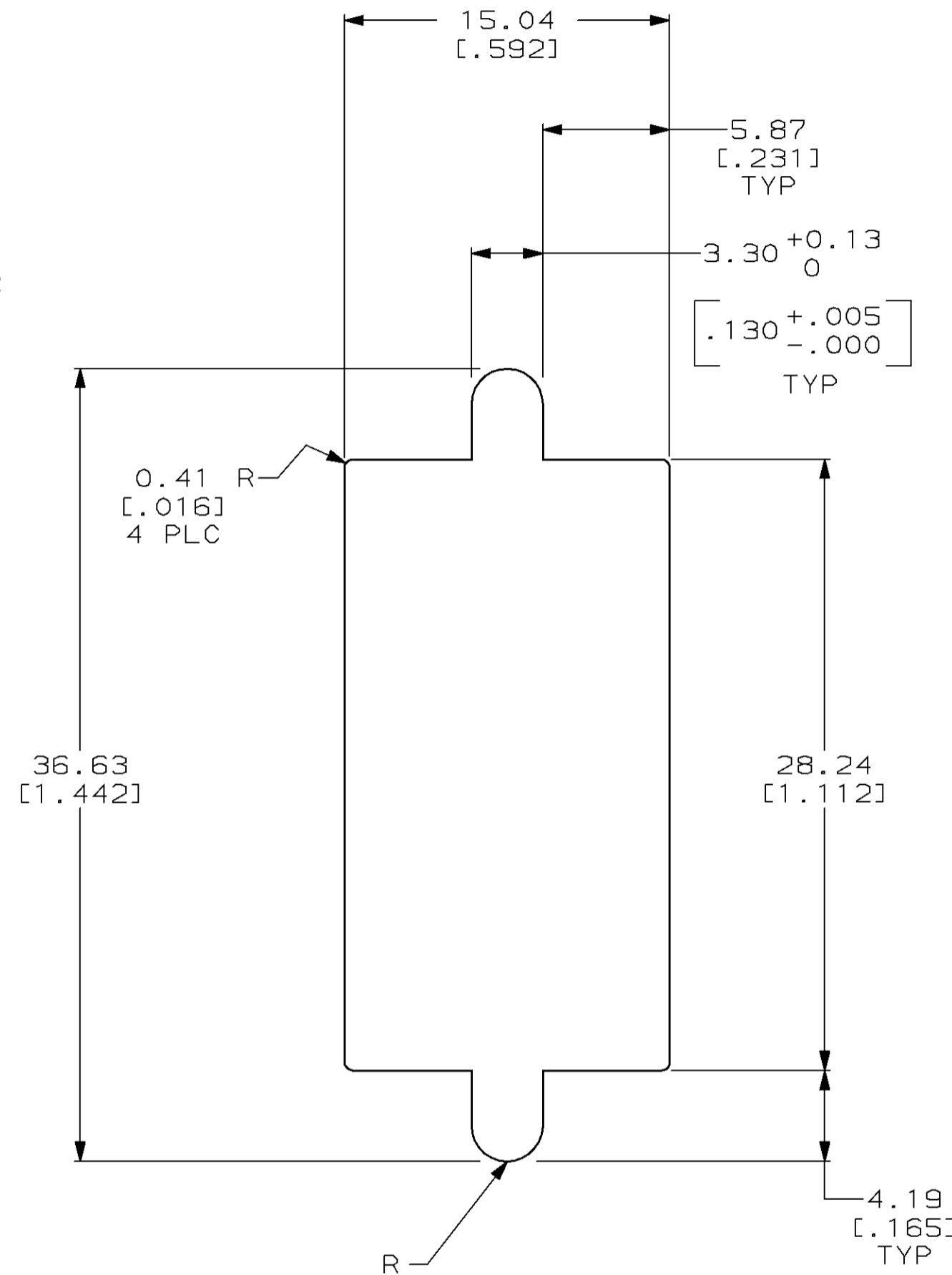
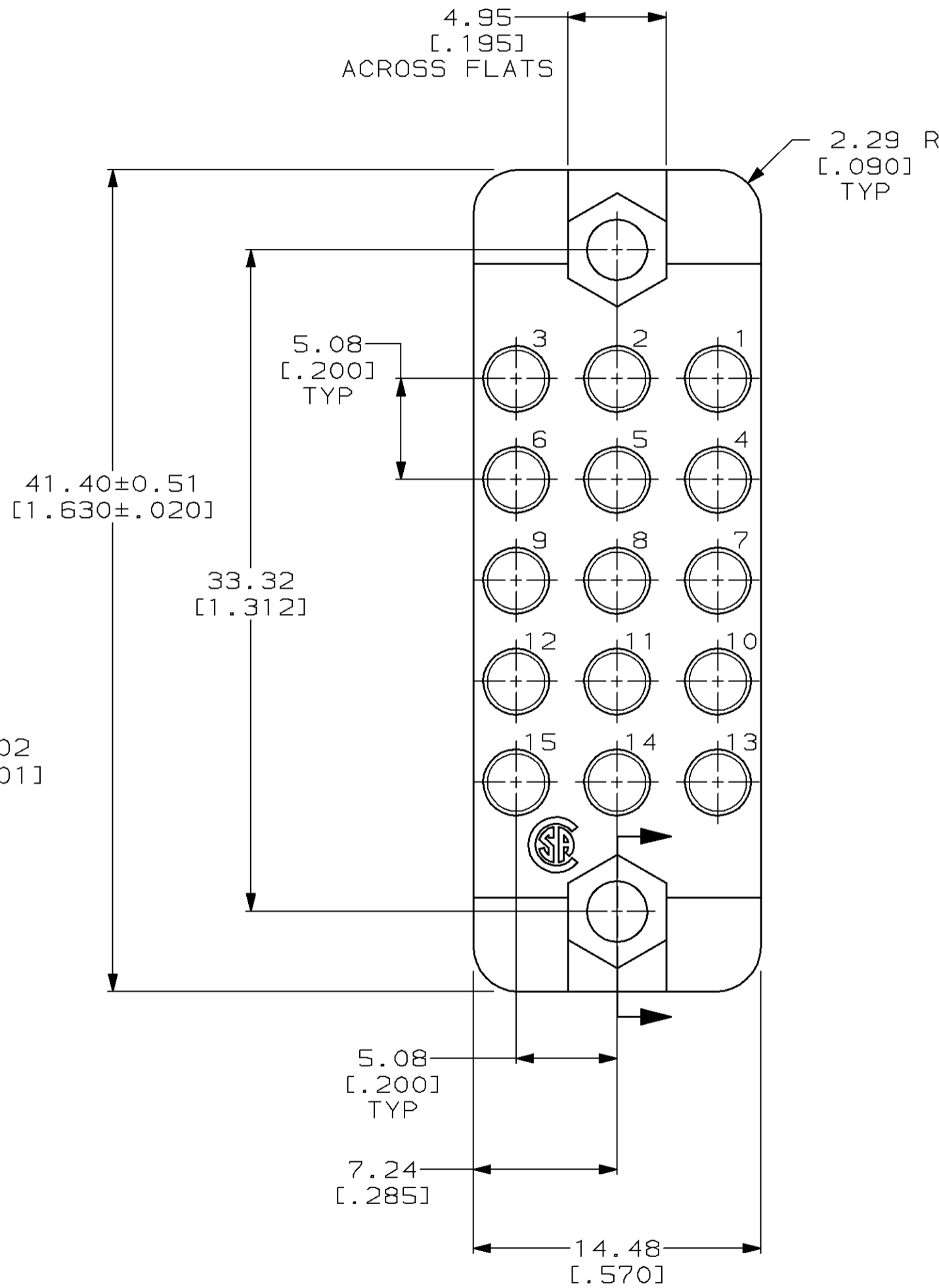
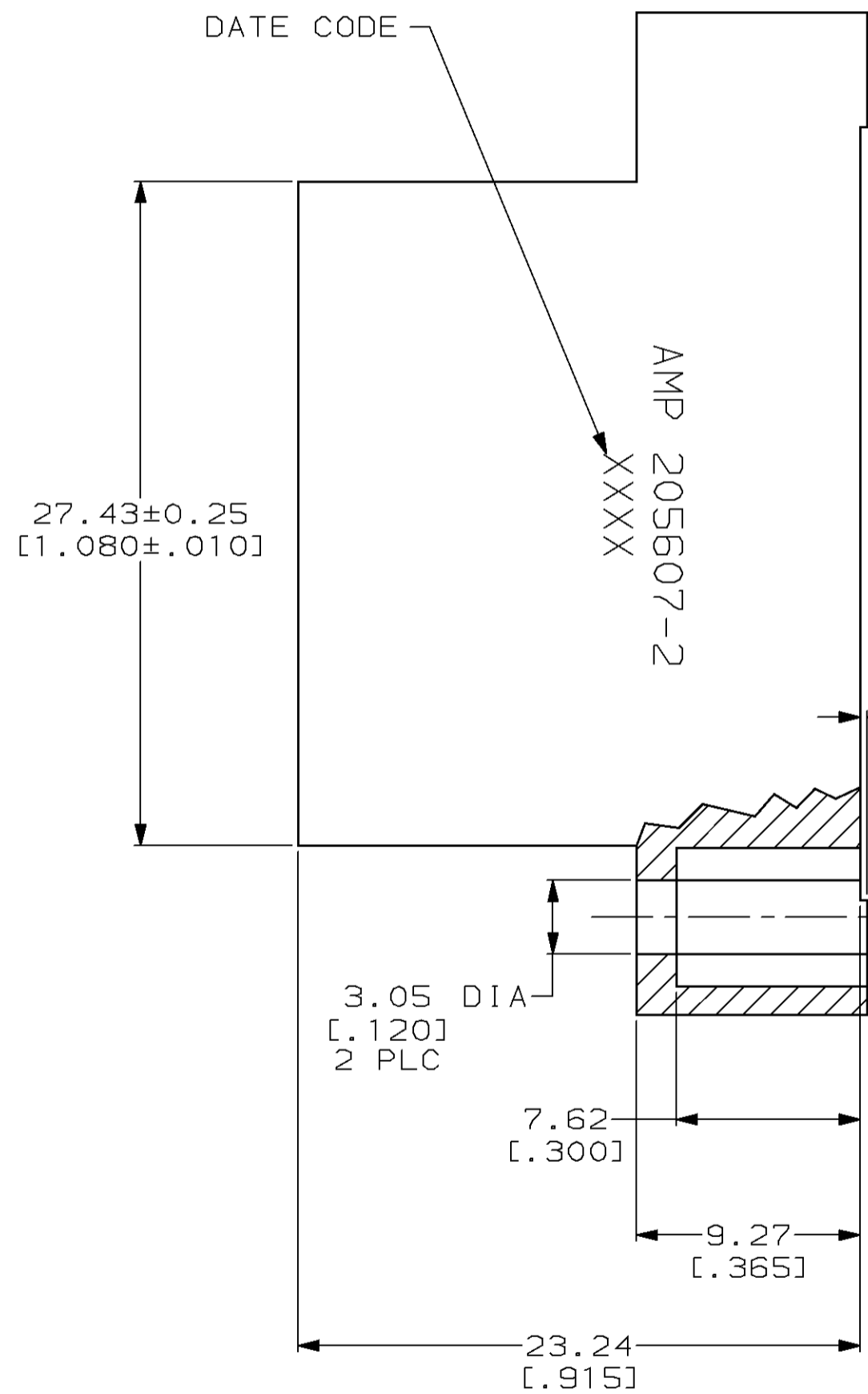


THIS DRAWING IS UNPUBLISHED. RELEASED FOR PUBLICATION
 © COPYRIGHT 19 BY AMP INCORPORATED. ALL RIGHTS RESERVED.

Loc		DIST		REVISIONS			
P	LTR	DESCRIPTION		DATE	DWN	APVD	
FT	8	E		REDRAWN W/O CHANGE PER EC 0020-289-96	09 AUG 96	-	-



RECOMMENDED PANEL CUTOUT

205607-2
PART NUMBER

- 1 PHENOLIC PER MIL-M-14, TYPE CFG, BLACK.
- 2. MATES WITH BLOCK 205606.
- 3. ACCOMODATES 15 TYPE II OR III+ SIZE #16 SOCKET CONTACTS.

THIS DRAWING IS A CONTROLLED DOCUMENT.		DWN B. CARBO 09 AUG 96	AMP Incorporated Harrisburg, PA 17105-3608
DIMENSIONS: mm [INCHES]		CHK R. STONE 25 JUN 97	
TOLERANCES UNLESS OTHERWISE SPECIFIED:		APVD G. STEINHAUER 02 SEP 97	NAME BLOCK, PIN, 15 POSITION, M SERIES
0 PLC ±- 1 PLC ±- 2 PLC ±0.13 [.005] 3 PLC ±- 4 PLC ±- ANGLES ±- FINISH -		PRODUCT SPEC - APPLICATION SPEC - WEIGHT -	SIZE A2
MATERIAL 1		CUSTOMER DRAWING	CAGE CODE 00779
		SCALE 4:1	DRAWING NO 205607
		SHEET 1 OF 1	REV E