

**MATERIAL**

Glass-fibre reinforced polyamide based (PA) technopolymer, grey-black colour, matte finish.

**STANDARD EXECUTION**

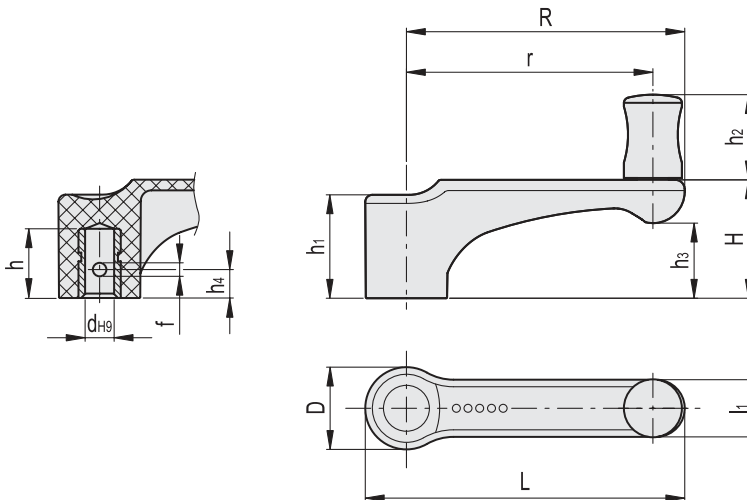
Brass boss, cylindrical blind hole, transversal semi-machined hole for pinning to shaft.

Revolving handle 1.741+x (see page 667) in technopolymer.

The grooves cut into the cylindrical surface allow an effective and ergonomic grip, though necessarily limited to the fingertips, due to the small size of the handle.



ERGOSTYLE® ELESAs Original design



Conversion Table	
1 mm = 0.039 inch	
R	
mm	inch
44	1.73
63	2.48
78	3.07

Code	Description	R	dH9	L	D	l1	h	h1	h2	h3	h4	H	r	f	⚖
232411-C1	ERFW.44 N-6+I-C1	44	6	52	15.5	11	15	19	20	13	7	21	38	3	18
232431-C1	ERFW.63 N-8+I-C1	63	8	73.5	19	13.5	20	24.5	23	18	8	28.5	56	4	28
232451-C1	ERFW.78 N-10+I-C1	78	10	90.5	23	16	25	29.5	23	21	9	30	71	4	43

- 1
- 2
- 3
- 4
- 5
- 6
- 7
- 8
- 9
- 10
- 11
- 12
- 13
- 14
- 15
- 16
- 17
- 18

Operating elements