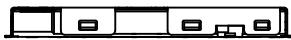


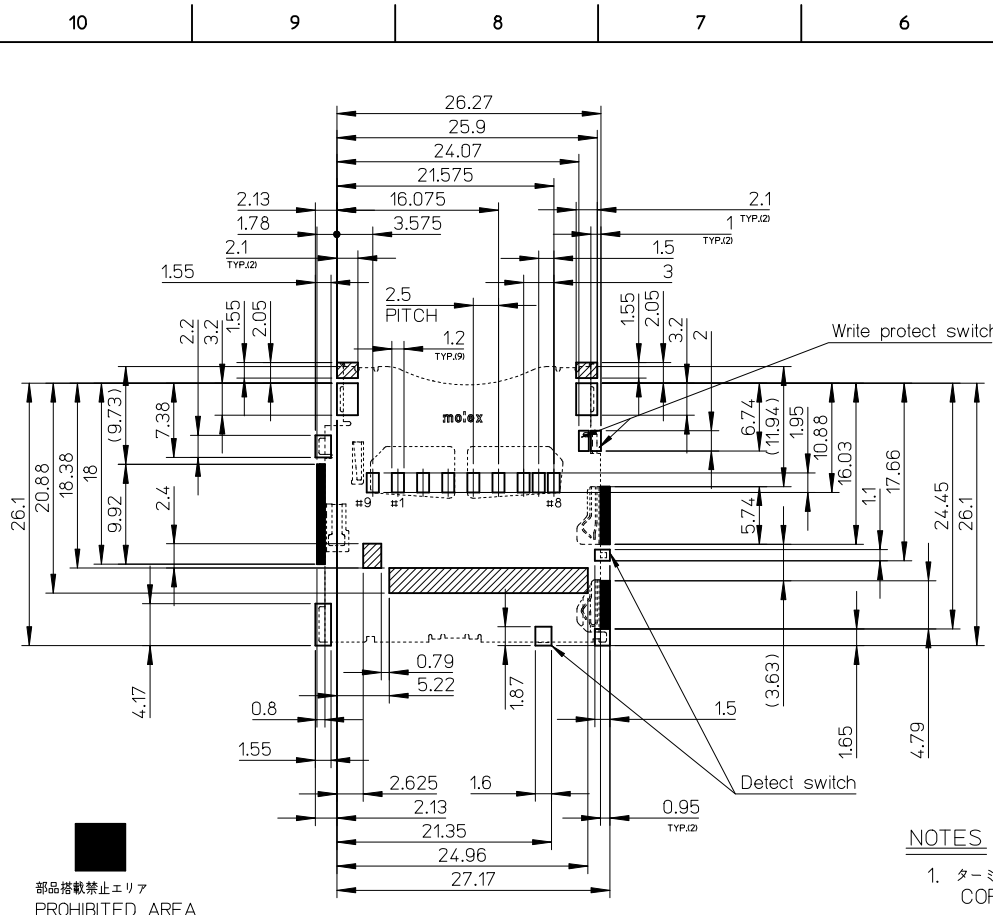
503500-0991	9
EMBOSSED TAPE	極数
ORDER No. オーダー番号	CIRCUITS
CONNECTOR SERIES NO. 503500-***11	



REVISED EC NO: J2010-1552 DRWN: YNAITO 2010/02/01 CHKD: MTOMITA 2010/02/01 APPR: NUKITA 2010/02/01	GENERAL TOLERANCES (UNLESS SPECIFIED)		DIMENSION STYLE MM ONLY	SCALE 2:1	DESIGN UNITS METRIC	THIRD ANGLE PROJECTION
	10 UNDER	± 0.2	DRAWN BY YNAITO	DATE 2009/09/11	TITLE SD CARD CONN.PUSH/PUSH NORMAL ASSY	
	10 OVER 30 UNDER	± 0.25	CHECKED BY MTOMITA	DATE 2009/09/11	MOLEX INCORPORATED	
	30 OVER	± 0.3	APPROVED BY NUKITA	DATE 2009/09/11	DOCUMENT NO. SD-503500-001	SHEET NO. 1 OF 2
DESCRIPTION B	ANGULAR ± 1 °	DRAFT WHERE APPLICABLE MUST REMAIN WITHIN DIMENSIONS		SEE CHART		
REV	MATERIAL NO.		THIS DRAWING CONTAINS INFORMATION THAT IS PROPRIETARY TO MOLEX INCORPORATED AND SHOULD NOT BE USED WITHOUT WRITTEN PERMISSION			

番号 No.	名称 NAME	材料 MATERIAL
①	ハウジング HOUSING	耐熱樹脂 HEAT RESISTANCE POLYMER
②	ターミナル TERMINAL	銅合金、接点部：金めっき 半田付部：錫めっき 下地：ニッケルめっき COPPER ALLOY, CONTACT AREA:GOLD TAIL AREA:TIN UNDER PLATING:NICKEL
③	メタルシェル METAL SHELL	銅合金 COPPER ALLOY
④	カムスライダー CAM SLIDER	耐熱樹脂 HEAT RESISTANCE POLYMER
⑤	ディテクトスイッチ DETECT SWITCH	銅合金、接点部：金めっき 半田付部：金めっき 下地：ニッケルめっき COPPER ALLOY, CONTACT AREA:GOLD TAIL AREA:GOLD UNDER PLATING:NICKEL
⑥	ライトプロテクトスイッチ WRITE PROTECT SWITCH	銅合金、接点部：金めっき 半田付部：錫めっき 下地：ニッケルめっき COPPER ALLOY, CONTACT AREA:GOLD TAIL AREA:TIN UNDER PLATING:NICKEL
⑦	スプリング SPRING	ピアノ線 SWP
⑧	カムピン CAM PIN	ステンレス鋼 STAINLESS STEEL

CONFIDENTIAL



部品搭載禁止エリア  
PROHIBITED AREA

パターン禁止エリア  
PATTERN PROHIBITION AREA  
注：コネクタ投影面上の半田付けは禁止

RECOMMENDED  
PCB PATTERN LAYOUT  
(GENERAL TOLERANCE : ±0.05)

NOTES

- ターミナル及びネイルの平坦度は0.1MAX.とする。  
COPLANARITY OF TERMINAL AND NAIL IS TO BE 0.1MAX.
- ロット印字は任意とする  
LOT NUMBERING IS TO BE OPTIONAL.
- 肉抜き位置は任意とする。  
CAVITY IS TO BE OPTIONAL.
- 本製品の側面にはカード挿抜時に一部金属が突出する箇所があります。該当箇所は部品搭載禁止エリアとなりますので、ご注意ください。  
There are the places that the part of metal stands out at the side of the connector when the card insertion .The area is prohibited to place the other parts.

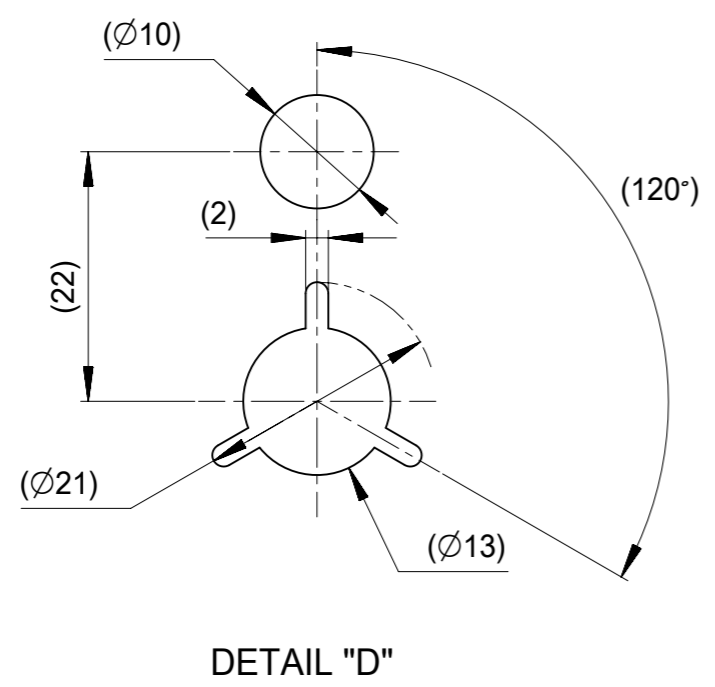
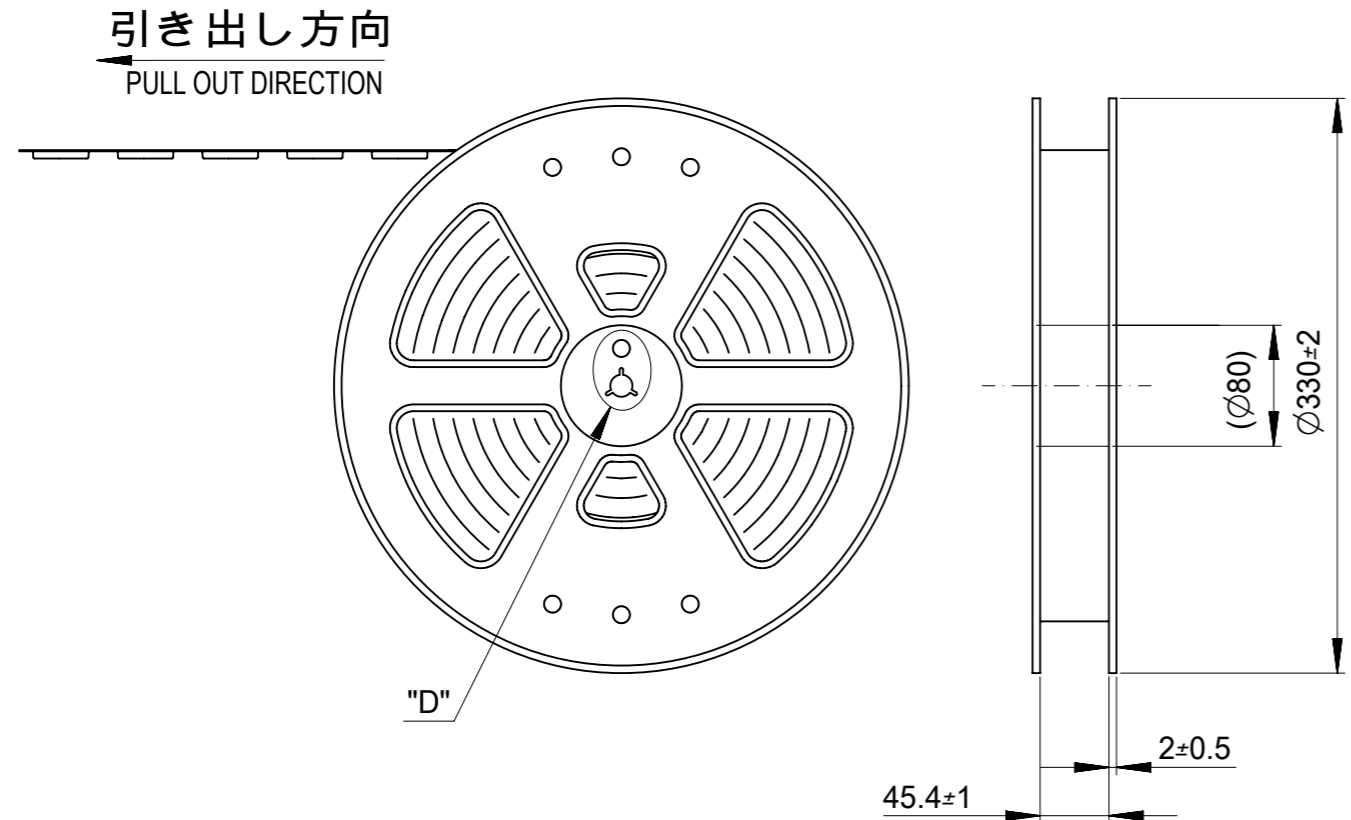
6. ELV及びRoHS適合品  
ELV AND RoHS COMPLIANT.

ロットNo. : 9 07 0 7 0  
西暦(1桁目) MONTH 7 : 7月  
THE YEAR OF GRACE 10 : 10月  
9 : 2009年 DAY 07 : 07日  
ラインNo. LINE No.

2. 各スイッチのオープン/クローズ  
OPENING/CLOSE OF EACH SWITCH

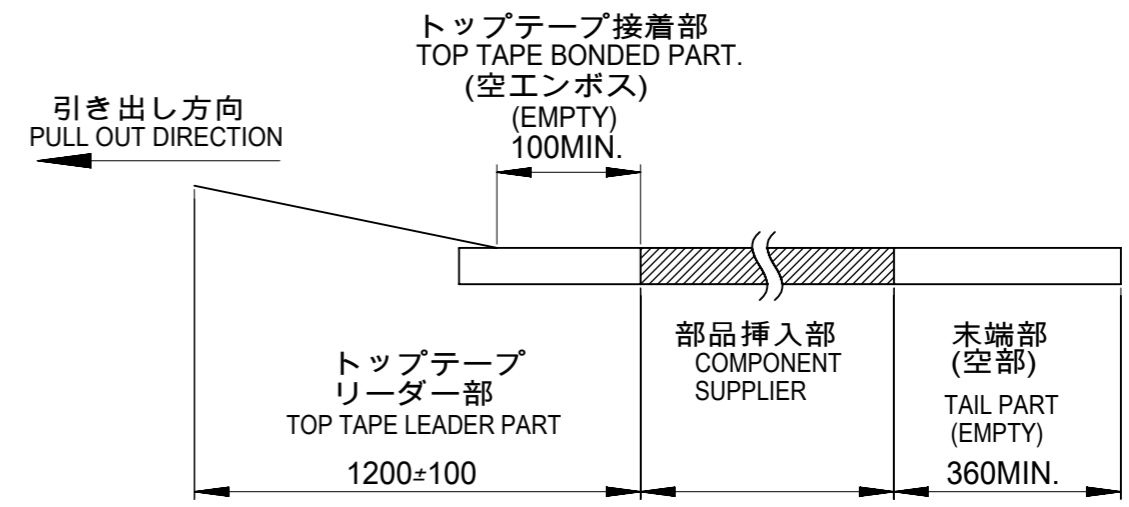
	プロテクトターミナル PROTECT TERMINAL		ディテクトターミナル DETECT TERMINAL
	カード書き込み 禁止状態 WRITE PROTECT POSITION	カード書き込み 可能状態 WRITE ENABLE POSITION	
カード未装着状態 CARD UNINSERTION	オープン OPEN	オープン OPEN	オープン OPEN
カード装着 AFTER CARD INSERTION	オープン OPEN	クローズ CLOSE	クローズ CLOSE

SEE SHEET 1 OF 2 EC NO. J2010-1552 DRWN:YNAITO 2010/02/01 CHKD:MTOMITA 2010/02/01 APPR:NUKITA 2010/02/01	GENERAL TOLERANCES (UNLESS SPECIFIED)	DIMENSION STYLE MM ONLY	SCALE 2:1	DESIGN UNITS METRIC	THIRD ANGLE PROJECTION
	10 UNDER ±0.2	DRAWN BY DATE YNAITO 2009/09/11	TITLE SD CARD CONN.PUSH/PUSH NORMAL ASSY		
	10 OVER 30 UNDER ±0.25	CHECKED BY DATE MTOMITA 2009/09/11	MOLEX MOLEX INCORPORATED		
	30 OVER ±0.3	APPROVED BY DATE NUKITA 2009/09/11	DOCUMENT NO. SD-503500-001	SHEET NO. 2 OF 2	
ANGULAR ±1° DRAFT WHERE APPLICABLE MUST REMAIN WITHIN DIMENSIONS	MATERIAL NO. SEE SHEET 1 OF 2	THIS DRAWING CONTAINS INFORMATION THAT IS PROPRIETARY TO MOLEX INCORPORATED AND SHOULD NOT BE USED WITHOUT WRITTEN PERMISSION			



NOTES

- 製品詳細寸法については、SD 図面を参照下さい。  
RE DETAILED DIMENSION, SEE SALES DRAWING.
- 梱包数量 : 300個 / リール  
NUMBER OF CONNECTORS : 300 PCS/REEL.
- リードテープ長さ LEAD TAPE LENGTH.

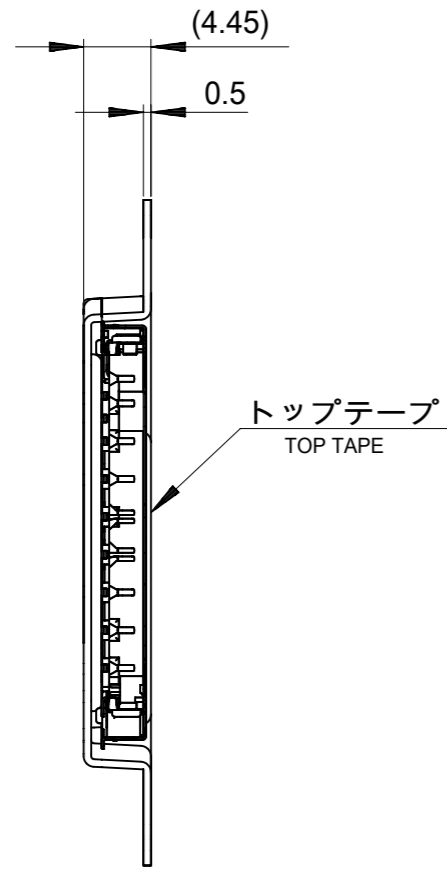


4. 材料 MATERIAL

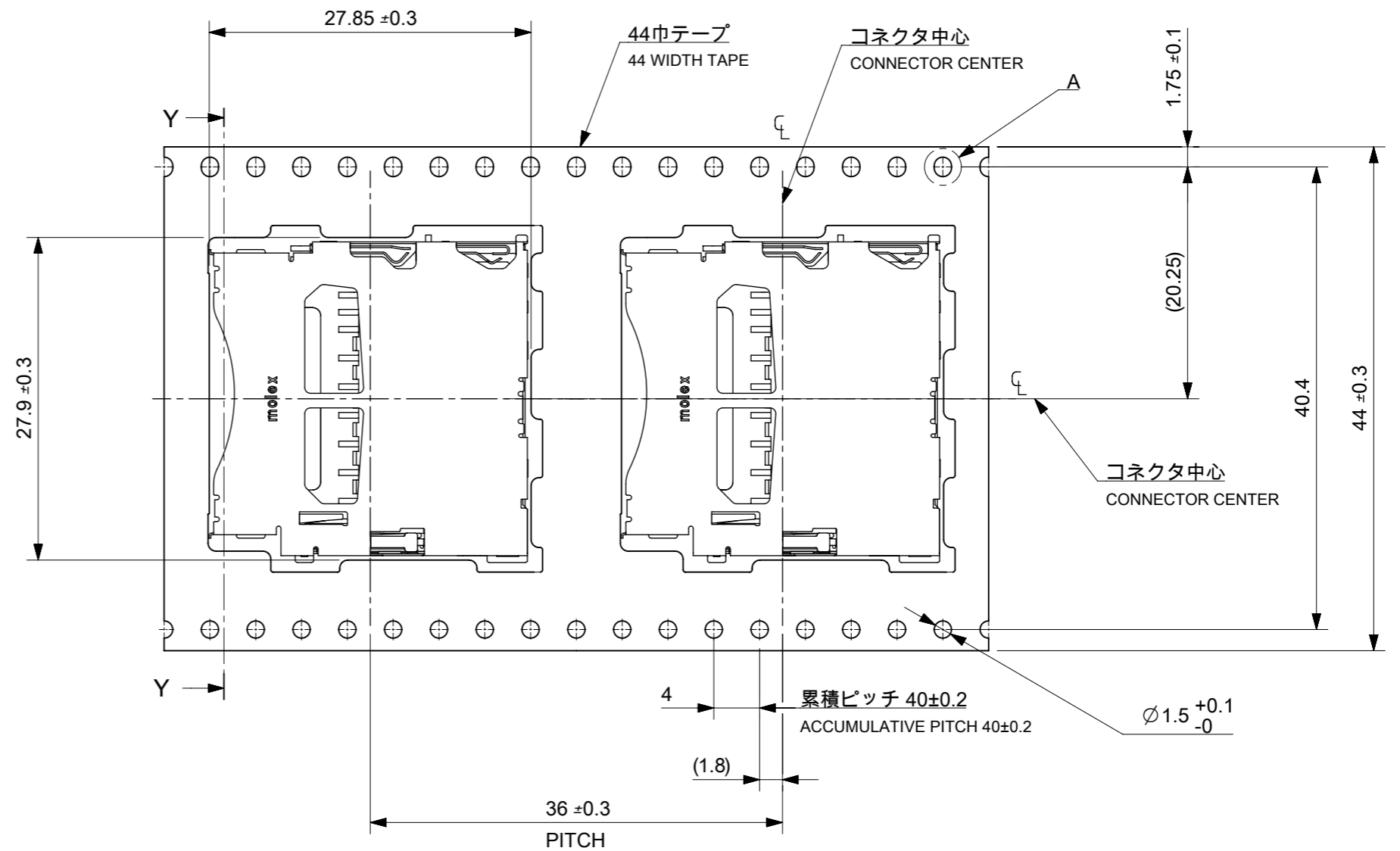
キャリアテープ (CARRIER TAPE): ポリスチレン (POLYSTYRENE)  
 トップテープ (TOP TAPE): PET, PE, PEF  
 リール (REEL): ポリスチレン (PS) <リサイクル材含む>  
 POLYSTYRENE (PS)<RECYCLE MATERIAL CONTAINED>

503500-0991	9
EMBOSSSED TAPE	極数
ORDER No. オーダー番号	CIRCUITS
CONNECTOR SERIES NO. 503500-**11	
DOCUMENT STATUS	P1
RELEASE DATE	2020/07/22 07:08:17

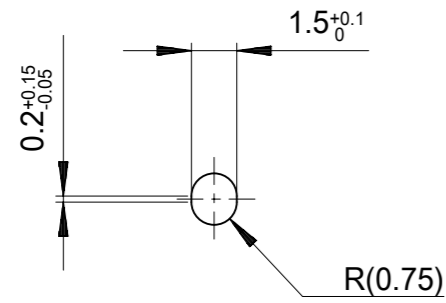
THIS DRAWING CONTAINS INFORMATION THAT IS PROPRIETARY TO MOLEX ELECTRONIC TECHNOLOGIES, LLC AND SHOULD NOT BE USED WITHOUT WRITTEN PERMISSION		CURRENT REV DESC:		<b>molex</b>	
DIMENSION UNITS	SCALE	EC NO: 641842			
mm	4:1	DRWN: YHONDA01 2020/06/29		SD CARD CONN. NORMAL PUSH/PUSH EMBOSSSED TAPE PACKAGE	
GENERAL TOLERANCES (UNLESS SPECIFIED)		CHK'D: YNOGAWA 2020/07/22		PRODUCT CUSTOMER DRAWING	
ANGULAR TOL	± 1.0 °	APPR: ASHIMOTSU 2020/07/22		DOCUMENT NUMBER	
4 PLACES	± 0.2	INITIAL REVISION:		SD-503500-002	
3 PLACES	± 0.25	DRWN: YNAITO 2010/01/15		DOC TYPE	
2 PLACES	± 0.3	APPR: NUKITA 2010/01/18		PSD	
1 PLACE	±	MATERIAL NUMBER		DOC PART	
0 PLACES	±	CUSTOMER		001	
DRAFT WHERE APPLICABLE MUST REMAIN WITHIN DIMENSIONS		THIRD ANGLE PROJECTION	DRAWING	SERIES	SHEET NUMBER
			A3-SIZE	503500	1 OF 2



SECTION Y-Y



引き出し方向  
PULL OUT DIRECTION



DETAIL A  
(5-1)

THIS DRAWING CONTAINS INFORMATION THAT IS PROPRIETARY TO MOLEX ELECTRONIC TECHNOLOGIES, LLC AND SHOULD NOT BE USED WITHOUT WRITTEN PERMISSION									
DIMENSION UNITS		SCALE		CURRENT REV DESC:				<b>molex</b>	
mm		4:1							
GENERAL TOLERANCES (UNLESS SPECIFIED)									
ANGULAR TOL ± 1.0°									
4 PLACES ± 0.2									
3 PLACES ± 0.25									
2 PLACES ± 0.3									
1 PLACE ±									
0 PLACES ±									
DRAFT WHERE APPLICABLE MUST REMAIN WITHIN DIMENSIONS				THIRD ANGLE PROJECTION		DRAWING		SERIES	
				A3-SIZE		503500		MATERIAL NUMBER	
DOCUMENT STATUS				P1		RELEASE DATE		2020/07/22 07:08:17	
EC NO: 641842				DRWN: YHONDA01		2020/06/29		SD CARD CONN. NORMAL PUSH/PUSH EMBOSSED TAPE PACKAGE	
CHK'D: YNOGAWA				APPR: ASHIMOTSU		2020/07/22			
INITIAL REVISION:				DRWN: YNAITO		2010/01/15		PRODUCT CUSTOMER DRAWING	
APPR: NUKITA				SERIES		503500		DOCUMENT NUMBER	
				MATERIAL NUMBER		SEE CHART		CUSTOMER	
				GENERAL MARKET		PSD		DOC TYPE	
				001		001		DOC PART	
				2 OF 2		E		REVISION	