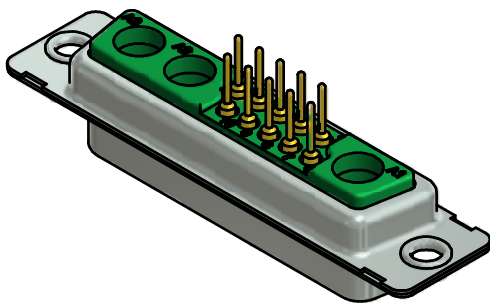
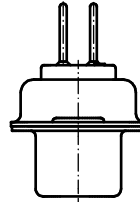
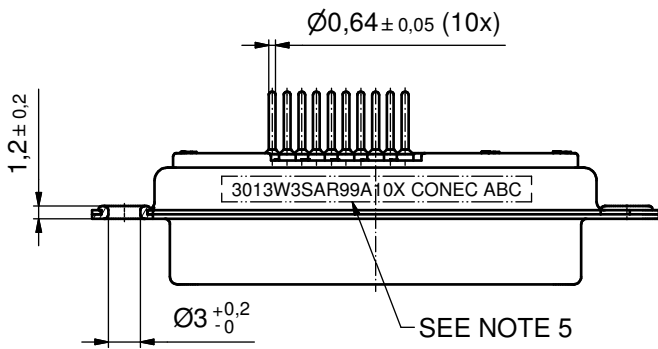
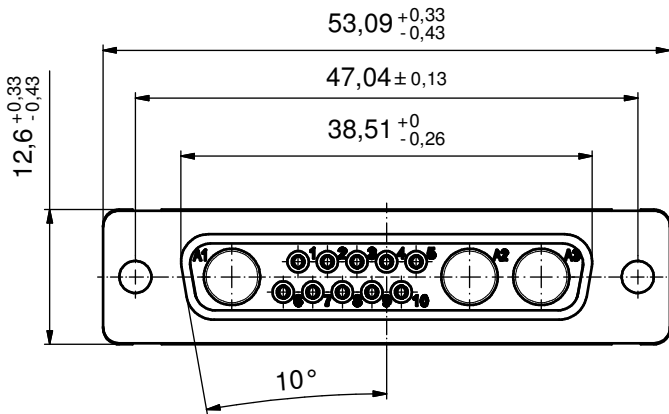
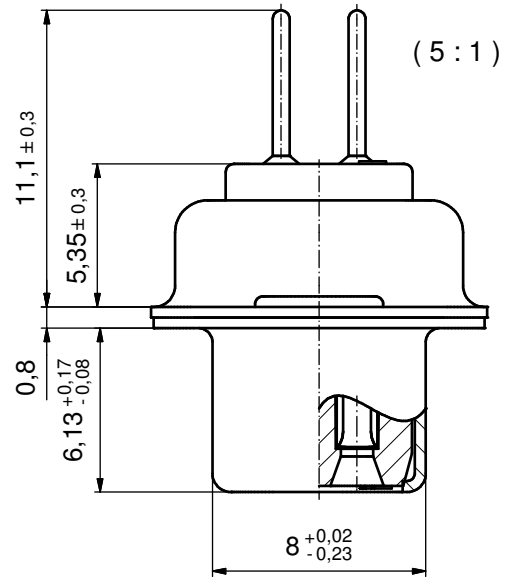
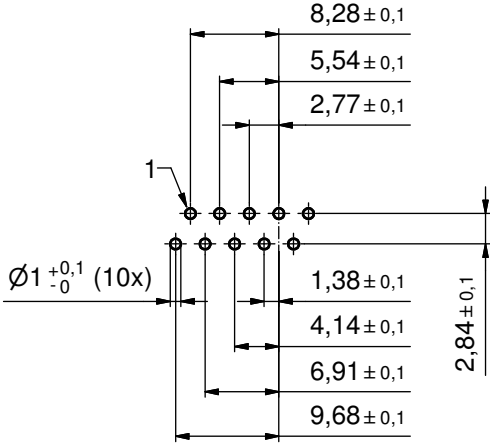


P.C.B. HOLE DRILLINGS
(P.C.B. TOP SIDE)



NOTES:

- METALSHELLS: STEEL; min. 315µm TIN over 40-80µm NICKEL
- INSULATOR: PBT GF UL 94 V-0, GREEN
- SIGNAL CONTACTS: COPPER ALLOY
PLATING: GOLD FLASH over NICKEL
- NO CONTACTS ON POS: A1 - A3
- CONNECTOR IS PART MARKED: 3013W3SAR99A10X CONEC ABC

Directive 2002/95/EC RoHS compliant

THIS DRAWING MAY NOT BE COPIED OR REPRODUCED IN ANY WAY, AND MAY NOT BE PASSED ON TO A THIRD PARTY WITHOUT WRITTEN PERMISSION. OWNERSHIP AND COPYRIGHT OF CONEC GmbH DO NOT ALTER CAD DRAWING BY HAND	tolerance		dim. in mm	scale: 2:1 (5:1)		
				material: SEE NOTES		
	drawn	10.01.13	name		title: D-SUB COMBINATION FEMALE 13W3S	
	appd.	10.01.13	name			
	norm		name			
	d-old		name		dwg no: 13K1A4149	
rev.	a	Original			DIN-A3 sh: 1	
description					part no: 3013W3SAR99A10X	