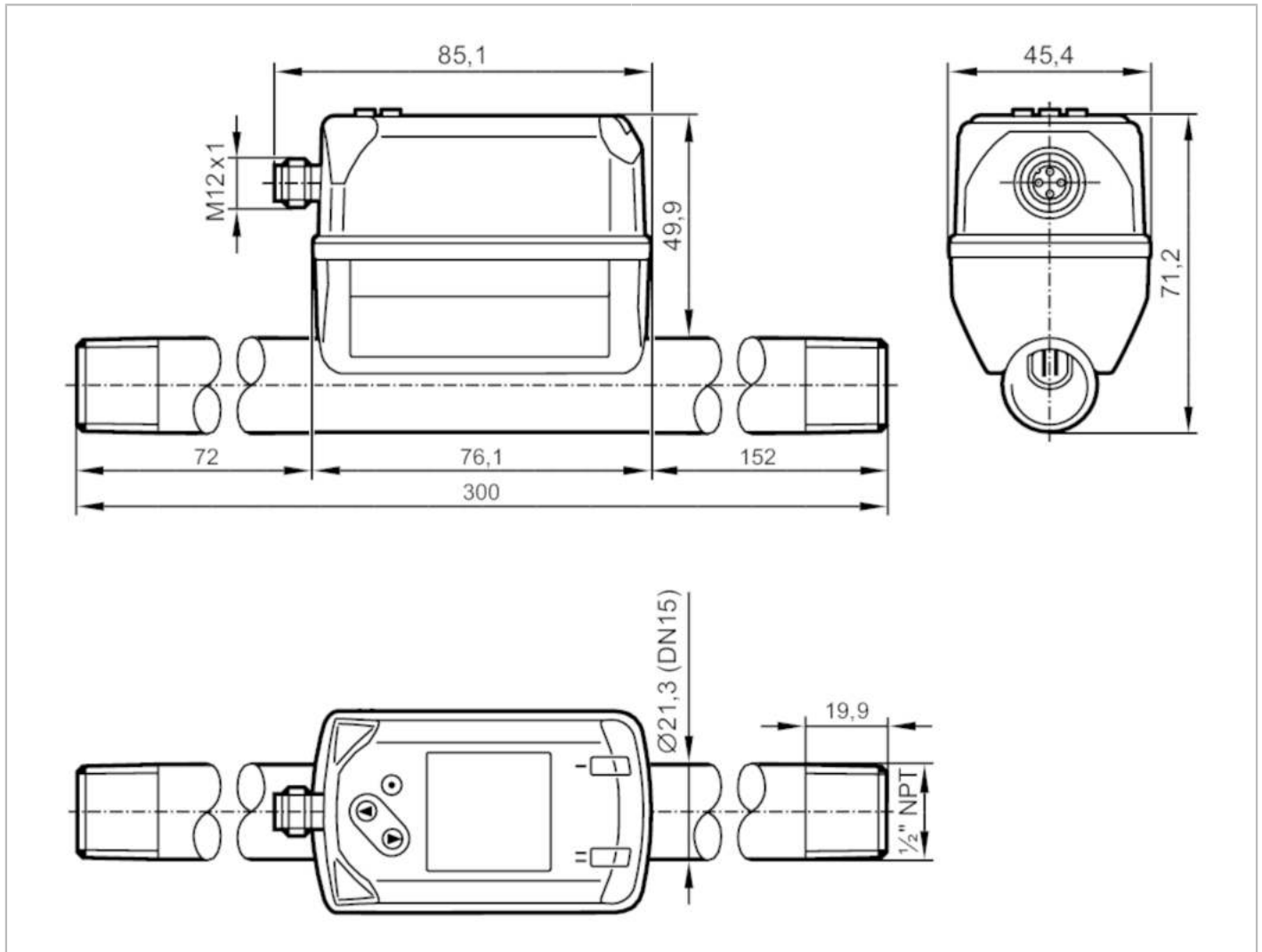


SD6601



Industrial gas counter

SDN12DGXFRKG/US-100



Product characteristics	
Number of inputs and outputs	Number of digital outputs: 2; Number of analogue outputs: 1
Process connection	threaded connection 1/2" NPT DN15
Pressure monitoring	
Measuring range [psi]	-15...232
Application	
Application	for industrial applications
Media	Argon (Ar); carbon dioxide (CO ₂); nitrogen (N ₂); compressed air
Medium temperature [°F]	14...140
Min. bursting pressure [psi]	928
Pressure rating [psi]	232
MAWP (for applications according to CRN) [bar]	9.7
Electrical data	
Operating voltage [V]	18...30 DC; (to SELV/PELV)
Current consumption [mA]	< 80

SD6601



Industrial gas counter

SDN12DGXFRKG/US-100

Protection class	III
Reverse polarity protection	yes
Power-on delay time [s]	1

Inputs / outputs

Number of inputs and outputs	Number of digital outputs: 2; Number of analogue outputs: 1
------------------------------	---

Inputs

Inputs	counter reset
--------	---------------

Outputs

Output signal	switching signal; analogue signal; pulse signal; IO-Link; (configurable)
Electrical design	PNP/NPN
Number of digital outputs	2
Output function	normally open / normally closed; (parameterisable)
Max. voltage drop switching output DC [V]	2.5
Permanent current rating of switching output DC [mA]	150; (per output)
Number of analogue outputs	1
Analogue current output [mA]	4...20; (scalable)
Max. load [Ω]	500
Pulse output	consumed quantity meter
Short-circuit protection	yes
Type of short-circuit protection	pulsed
Overload protection	yes

Measuring/setting range

Measuring range	8...2648 scfh	0.15...44.15 scfm	1...327.4 ft/s
Display range	0...3178 scfh	0...52.95 scfm	0...393 ft/s
Resolution	2 scfh	0.05 scfm	0.2 ft/s
Set point SP	23...2648 scfh	0.38...44.13 scfm	2.8...327.3 ft/s
Reset point rP	10...2635 scfh	0.16...43.91 scfm	1.2...325.7 ft/s
Analogue start point ASP	0...2119 scfh	0...35.31 scfm	0...261.9 ft/s
Analogue end point AEP	530...2649 scfh	8.83...44.14 scfm	65.5...327.4 ft/s
Low flow cut-off LFC	3...28 scfh	0.05...0.47 scfm	0.4...3.5 ft/s
In steps of	1 scfh	0.01 scfm	0.1 ft/s

Pressure monitoring

Measuring range [psi]	-15...232
Display range [psi]	-15...290
Resolution [psi]	1
Set point SP [psi]	-13...232
Reset point rP [psi]	-15...231
Analogue start point [psi]	-15...186
Analogue end point [psi]	32...232
In steps of [psi]	1

Volumetric flow quantity monitoring

Measuring range	0...100000000 m ³	0...353146667.2 scf
-----------------	------------------------------	---------------------

SD6601



Industrial gas counter

SDN12DGXFRKG/US-100

Display range	0...100000000 m ³	0...353146667.2 scf
Set point SP	0.001...10000000 m ³	0.05...353146667.2 scf
Pulse value	0.001...10000000 m ³	0.05...353146667.2 scf
In steps of	0.0001 m ³	0.005 scf
Pulse length [s]		0.002...2

Temperature monitoring

Measuring range	-10...60 °C	14...140 °F
Display range	-24...74 °C	-11.2...165.2 °F
Resolution	0.2 °C	0.5 °F
Set point SP	-9.7...60 °C	14.6...140 °F
Reset point rP	-10...59.7 °C	14...139.4 °F
Analogue start point	-10...46 °C	14...114.8 °F
Analogue end point	4...60 °C	39.2...140 °F
In steps of	0.1 °C	0.1 °F

Accuracy / deviations

Temperature coefficient [1/K]	± 0,07 % MW
Accuracy (in the measuring range)	± (6 % MW + 0,6 % MEW)
Repeatability	± (0,4 % MW + 0,1 % MEW)

Pressure monitoring

Repeatability [% of the final value]	± 0,2
Characteristics deviation [% of the final value]	< ± 0,5; (BFSL = Best Fit Straight Line)
Greatest TEMPCO of the span [% MEW / 10 K]	± 0,3
Greatest TEMPCO of the zero point [% MEW / 10 K]	± 0,1

Temperature monitoring

Accuracy [K]	± 0,5; (medium flow in the limit area of the flow measurement range)
--------------	--

Response times

Response time [s]	0.1; (dAP = 0)
Damping process value dAP [s]	0...5

Pressure monitoring

Response time [s]	0.05
-------------------	------

Temperature monitoring

Dynamic response T05 / T09 [s]	T09 = 0,5
--------------------------------	-----------

Software / programming

Parameter setting options	hysteresis / window; normally open / normally closed; current/pulse output; display can be rotated and switched off; Display unit; totaliser
---------------------------	--

Interfaces

Communication interface	IO-Link
Transmission type	COM2 (38,4 kBaud)
IO-Link revision	1.1
SDCI standard	IEC 61131-9 CDV

SD6601



Industrial gas counter

SDN12DGXFRKG/US-100

Profiles	Digital Measuring Sensor (0x800A), Identification and Diagnosis (0x4000)	
SIO mode		yes
Required master port type		A
Process data analogue		8
Process data binary		2
Min. process cycle time [ms]		7.2
Supported DeviceIDs	Type of operation	DeviceID
	Default	865

Operating conditions

Ambient temperature [°F]	32...140
Storage temperature [°F]	-4...185
Max. relative air humidity [%]	90
Protection	IP 65; IP 67

Tests / approvals

EMC	DIN EN 60947-5-9	
Vibration resistance	DIN EN 68000-2-6	5 g (10...2000 Hz)
MTTF [years]		183
UL approval	UL Approval no.	I012
	File number UL	E174189
Pressure Equipment Directive	Sound engineering practice; can be used for stable gases fluid group 2	

Mechanical data

Weight [g]	742.5
Materials	PBT+PC-GF30; PPS GF40; stainless steel (1.4301 / 304); stainless steel (1.4305 / 303); steel (1.5523) galvanised; 2.0401 (brass / CW614N); FKM
Materials (wetted parts)	stainless steel (1.4301 / 304); stainless steel (1.4305 / 303); FKM; ceramics glass passivated; PPS GF40; Al2O3 (ceramics); acrylate
Process connection	threaded connection 1/2" NPT DN15

Displays / operating elements

Display	colour display 1,44", 128 x 128 pixels
	2 x LED, yellow

Remarks

Remarks	MW = measured value
	MEW = Final value of the measuring range
	Standard conditions: 1013.25 mbar / 15 °C / 0 % relative humidity
	For information about installation and operation please see the operating instructions.
Pack quantity	1 pcs.

Electrical connection

Connector: 1 x M12; coding: A



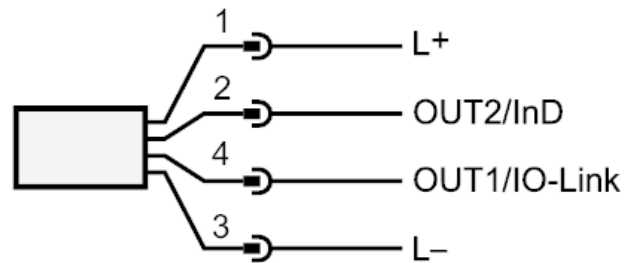
SD6601



Industrial gas counter

SDN12DGXFRKG/US-100

Connection



OUT1/IO-Link: switching output flow
switching output temperature
switching output pressure
Pulse output quantity meter
signal output Preset counter

OUT2/InD: switching output flow
switching output temperature
switching output pressure
analogue output flow
analogue output temperature
analogue output pressure
signal output Preset counter
Pulse output quantity meter
input counter reset