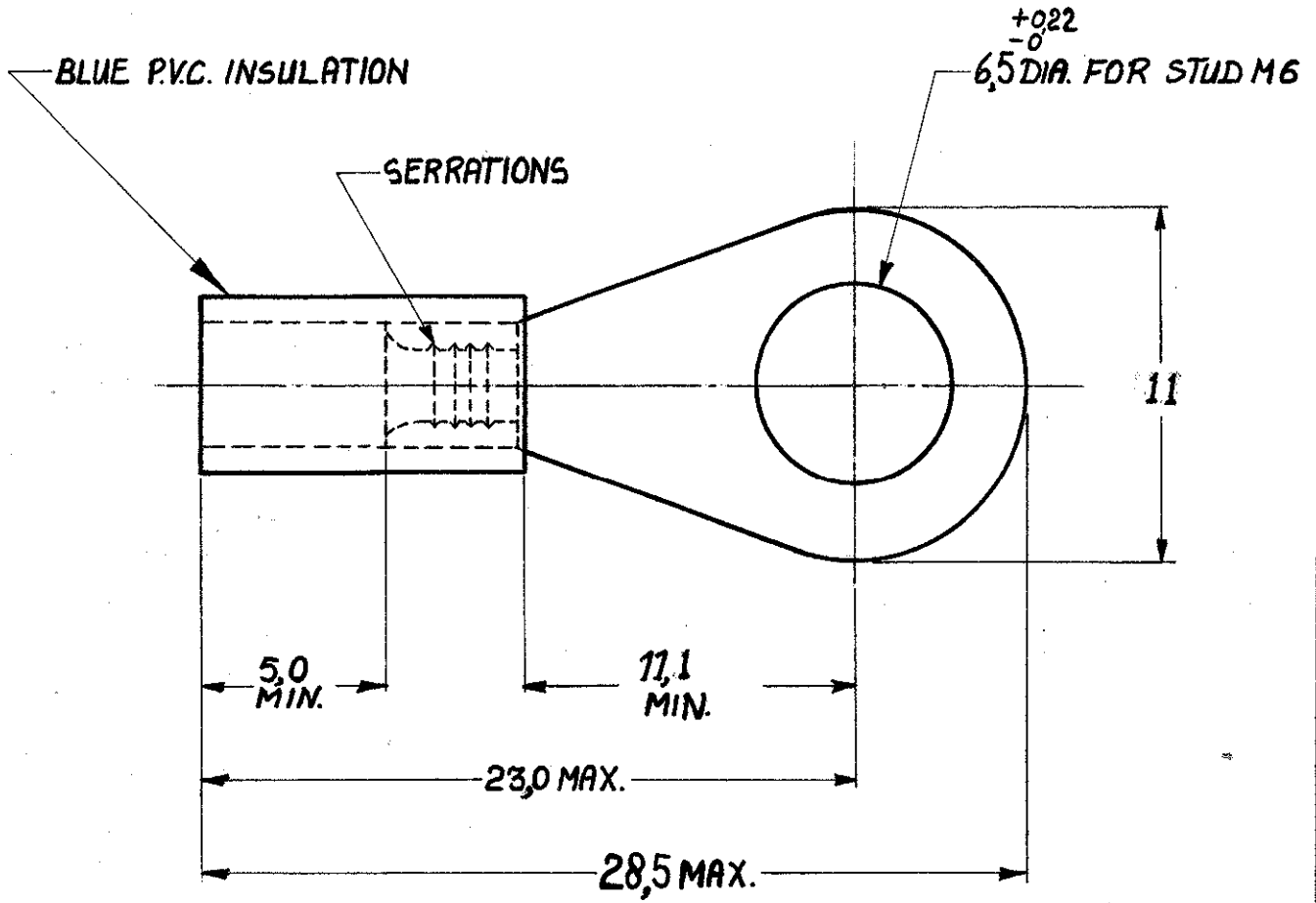


NUMBER  
**C-165410-E**



TONGUE MATERIAL THICKNESS: 0,8

**CUSTOMER COPY FOR REFERENCE ONLY**

©1970 BY AMP-HOLLAND N.V. ALL RIGHTS RESERVED A-MP PRODUCTS COVERED BY PATENTS AND/OR PATENTS PENDING.



AMP-HOLLAND N.V.  
S-HERTOGENBOSCH  
HOLLAND

165410	COPPER	TIN	WIRE-RANGE	INSUL.-RANGE	TYPE	DIN
			15-25 mm <sup>2</sup>	3,9 DIA. MAX	PLASTI-GRIP	

ORDER NO.	MATERIAL	PLATING	SCALE	LOC	SIZE	NO	REV
			4:1	H	A	C-165410-E	D

DR	DATE	DE	DATE
R. Jisser	2/11-70		
CHK	DATE	APP	DATE
			6/11-1970

NAME  
**INSULATED RINGTONGUE for stud M6**