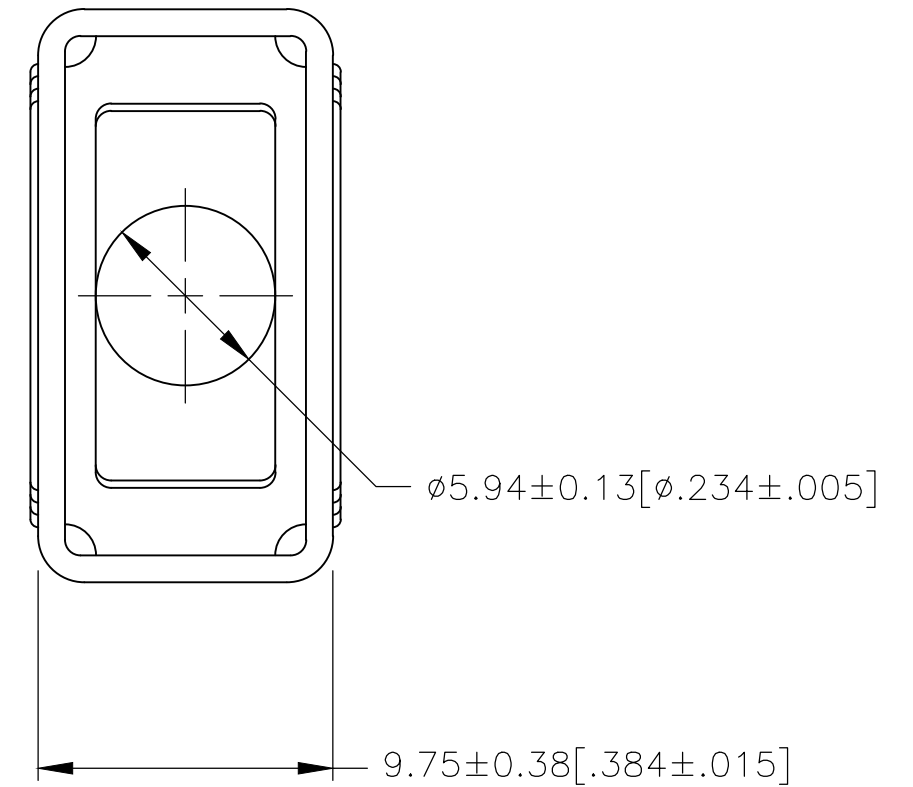
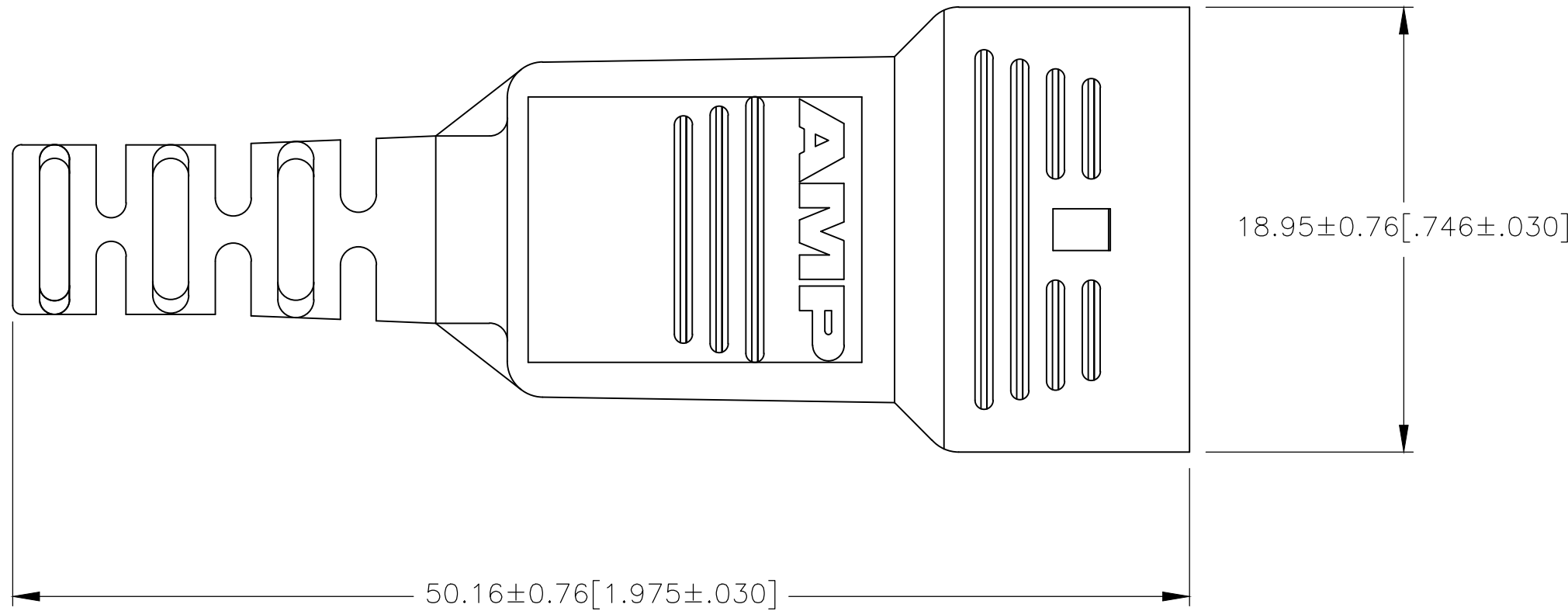



REVISIONS

P	LTR	DESCRIPTION	DATE	DWN	APVD
	B1	REVSIED PER ECO-20-009761	14JUL2020	AK	JW

OBSOLETE



OBSOLETE	207753-1
	PART NUMBER

THIS DRAWING IS A CONTROLLED DOCUMENT.		DWN B.CARBO	08 MAY 98	 TE Connectivity											
DIMENSIONS: mm [INCHES]		CHK R.STONE	03 SEP 98												
TOLERANCES UNLESS OTHERWISE SPECIFIED:		APVD R.TAYLOR	03 SEP 98												
<table border="0"> <tr> <td>0 PLC</td> <td>± -</td> </tr> <tr> <td>1 PLC</td> <td>± -</td> </tr> <tr> <td>2 PLC</td> <td>± -</td> </tr> <tr> <td>3 PLC</td> <td>± -</td> </tr> <tr> <td>4 PLC</td> <td>± -</td> </tr> <tr> <td>ANGLES</td> <td>± -</td> </tr> </table>		0 PLC	± -			1 PLC	± -	2 PLC	± -	3 PLC	± -	4 PLC	± -	ANGLES	± -
0 PLC	± -														
1 PLC	± -														
2 PLC	± -														
3 PLC	± -														
4 PLC	± -														
ANGLES	± -														
MATERIAL NYLON, BLACK		FINISH -		CORD GUARD, 9 POSITION, AMPLITE™											
		WEIGHT	0.000000	SIZE	A3										
		CUSTOMER DRAWING		CAGE CODE	00779										
				DRAWING NO	C-207753										
				RESTRICTED TO	-										
				SCALE	4:1										
				SHEET	1 OF 1										
				REV	B1										