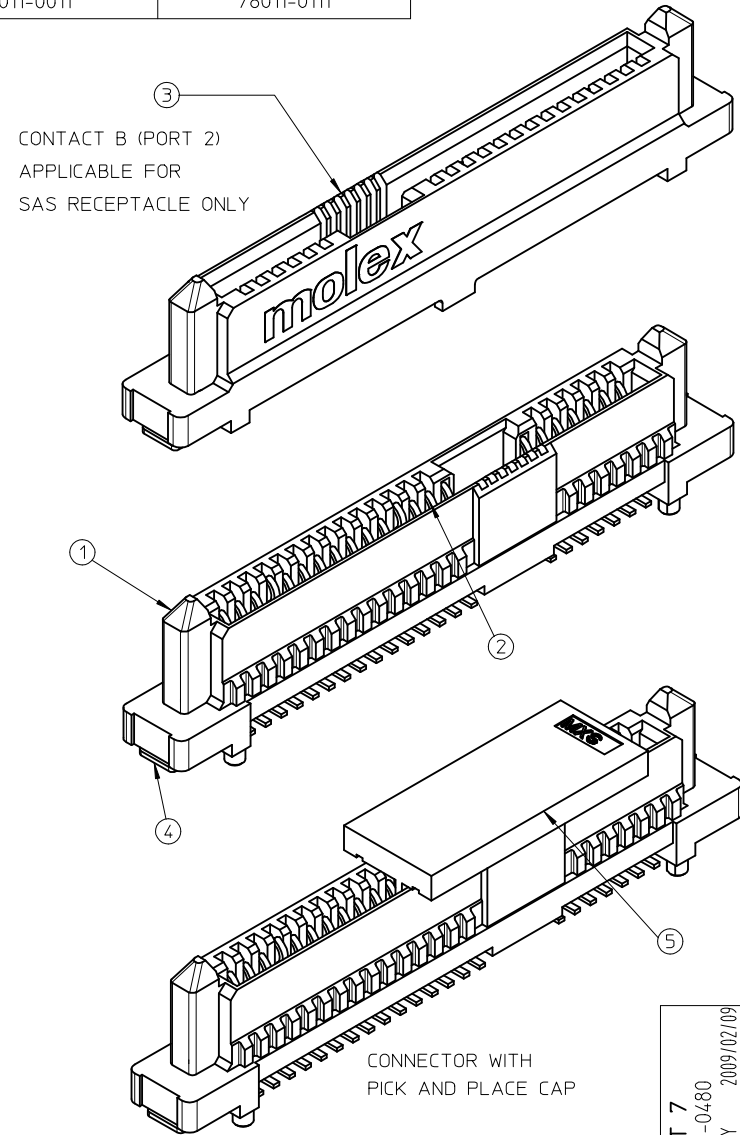


10	9	8	7	6	5	4	3	2	1
PART NUMBER									
PACKING WITH TAPE AND REEL		PACKING WITH PACKAGING TRAY							
78011-0011		78011-0111							

NO.	PART NAME	QTY.	MATERIAL
1	HOUSING	1	NYLON(IPA), UL 94V-0, COLOR: BLACK
2	CONTACT A	22	COPPER ALLOY
3	CONTACT B	0	-----
4	FITTING-NAIL	2	COPPER ALLOY
5	PICK & PLACE CAP	1	PA46, UL 94V-0, COLOR: BLACK.



NOTES:

1. MATERIAL: REFER TO ABOVE PART-LIST.
2. PLATING SPECIFICATION: REFER TO TABLE-1.
3. APPLICABLE INDUSTRY SPECIFICATION : SERIAL ATA WORKGROUP.
4. PRODUCT SPECIFICATION: PS-78011-002.
5. PACKING: REFER TO PACKING INFORMATION (SHEET 6/6).
6. DATE CODE FORMAT: YEAR & DAY OF MANUFACTURE.
7. MOLEX LOGO IS LOCATED APPROXIMATELY AS SHOW.
8. MAXIMUM WARPAGE OF 0.13MM OVER THE LENGTH OF THE CONNECTOR IN ANY DIRECTION BEFORE AND AFTER EXPOSURE TO MAX. 260°C FOR 10 SECONDS.
9. THIS SATA RECEPTACLE CAN BE CONVERTED TO A SAS RECEPTACLE IF FILLED WITH PORT 2 TERMINALS.

TABLE-1: (CONTACTS AND FITTING-NAIL PLATING SPECIFICATION)

PART NAME	MATING AREA	TERMINAL AREA	OTHERS AREA
CONTACT	SELECTIVE GOLD (0.76µm MIN.)	TIN (2.54µm MIN.)	NICKEL PLATING
	OVER 1.27µm MIN. NICKEL UNDERPLATE		
FITTING-NAIL	TIN OVER NICKEL PLATING		

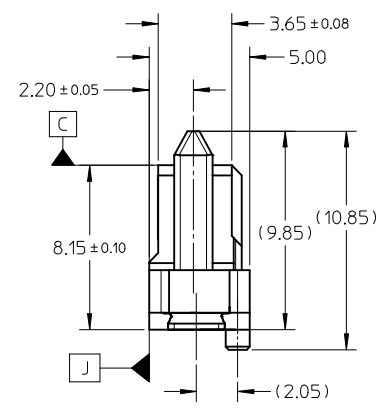
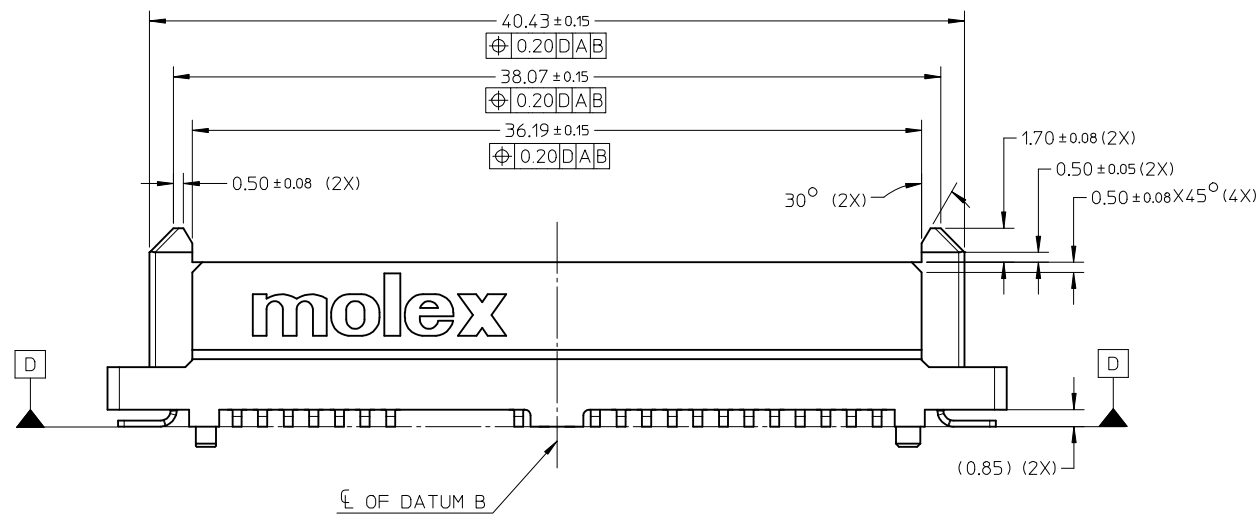
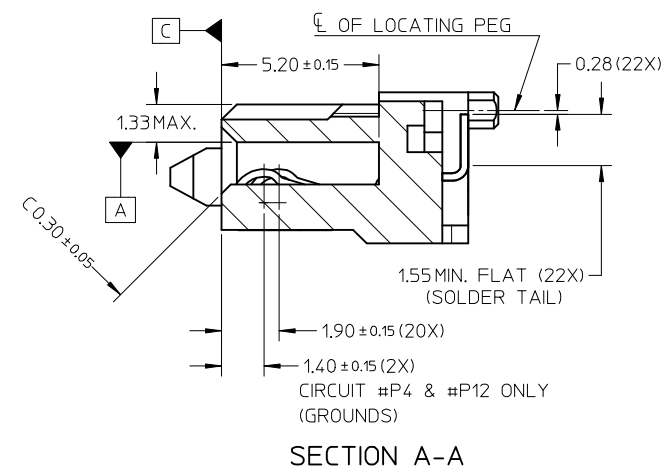
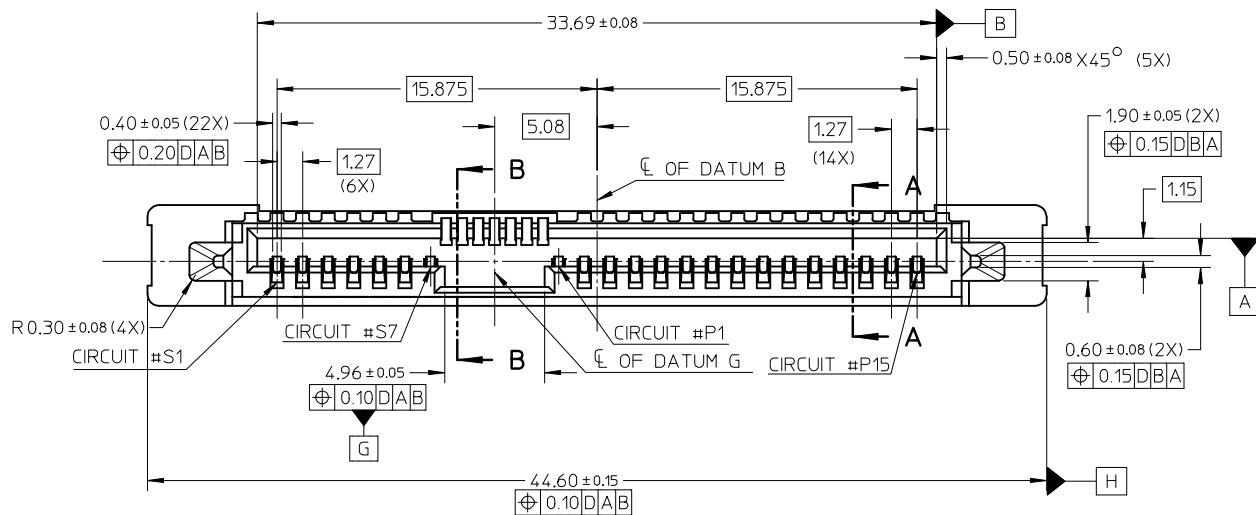
SEE SHEET 7
 EC NO: S2009-0480
 DRWN:GEMARLY 2009/02/09
 CHKD:CGOH 2009/02/09
 APPR:BOKOK 2009/02/12

QUALITY SYMBOLS	DESCRIPTION
▽=0	
∇=0	

GENERAL TOLERANCES (UNLESS SPECIFIED)	
	mm INCH
4 PLACES	± --- ± ---
3 PLACES	± --- ± ---
2 PLACES	± 0.20 ± ---
1 PLACE	± --- ± ---
ANGULAR ± 3 °	
DRAFT WHERE APPLICABLE MUST REMAIN WITHIN DIMENSIONS	

DIMENSION STYLE	
MM ONLY	
DRAWN BY	DATE
CGTAN	2005/11/10
CHECKED BY	DATE
SHONG	2005/11/24
APPROVED BY	DATE
KCLING	2005/11/24
MATERIAL NO.	
SEE TABLE	
SIZE	
A3	

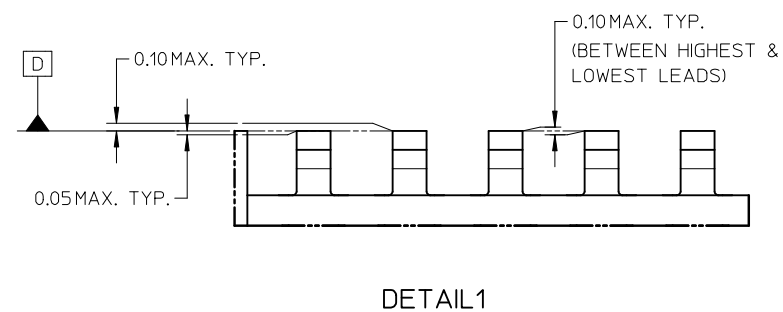
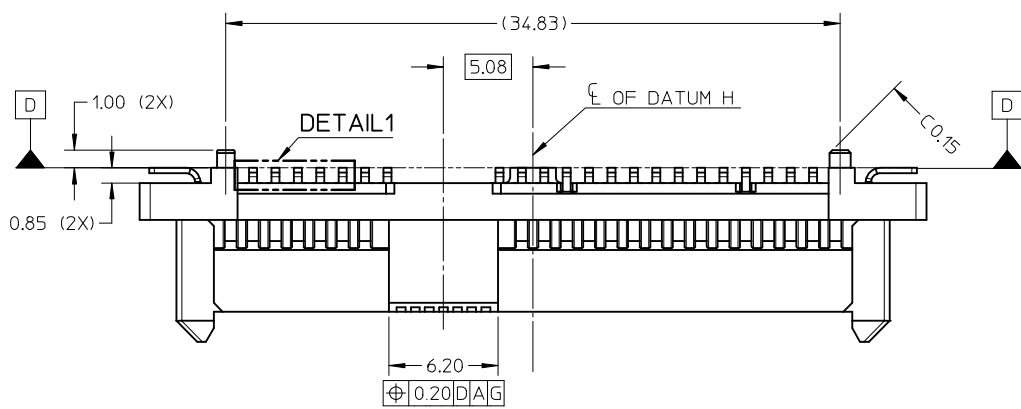
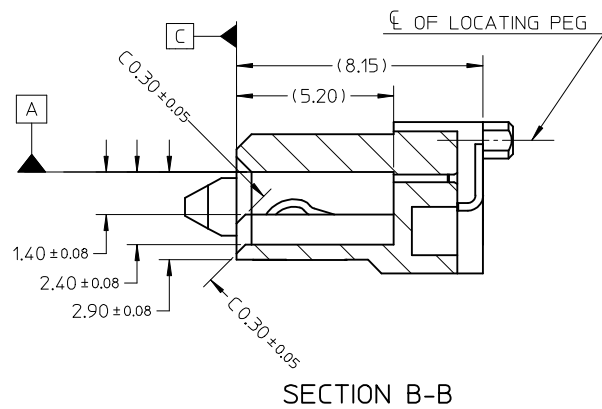
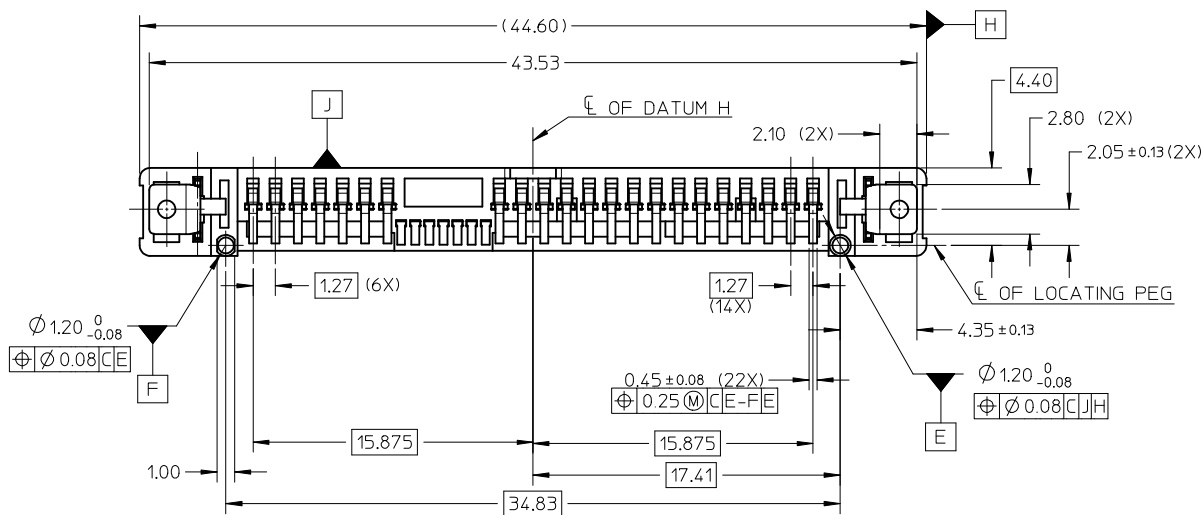
SCALE	DESIGN UNITS	THIRD ANGLE PROJECTION	
NTS	METRIC		
TITLE			
SERIAL ATA RECEPTACLE VERTICAL MOUNT SMT			
MOLEX INCORPORATED			
DOCUMENT NO.		SHEET NO.	
SD-78011-101		1 OF 7	
THIS DRAWING CONTAINS INFORMATION THAT IS PROPRIETARY TO MOLEX INCORPORATED AND SHOULD NOT BE USED WITHOUT WRITTEN PERMISSION			



molex

SEE SHEET 7 EC NO: S2009-0480 DRW: MEMARLY 2009/02/09 CHKD: CGOH 2009/02/09 APPR: BOKOK 2009/02/12	QUALITY SYMBOLS	GENERAL TOLERANCES (UNLESS SPECIFIED)	DIMENSION STYLE	SCALE	DESIGN UNITS	THIRD ANGLE PROJECTION
	▽=0 ◻=0	mm INCH 4 PLACES ± --- ± --- 3 PLACES ± --- ± --- 2 PLACES ± 0.20 ± --- 1 PLACE ± --- ± --- ANGULAR ± 3 °	MM ONLY	NTS	METRIC	
		DRAFT WHERE APPLICABLE MUST REMAIN WITHIN DIMENSIONS	DRAWN BY DATE CGTAN 2005/11/10 CHECKED BY DATE SHONG 2005/11/24 APPROVED BY DATE KCLING 2005/11/24 MATERIAL NO.	TITLE	SERIAL ATA RECEPTACLE VERTICAL MOUNT SMT	
			SEE TABLE	MOLEX INCORPORATED DOCUMENT NO. SD-78011-101	SHEET NO. 2 OF 7	

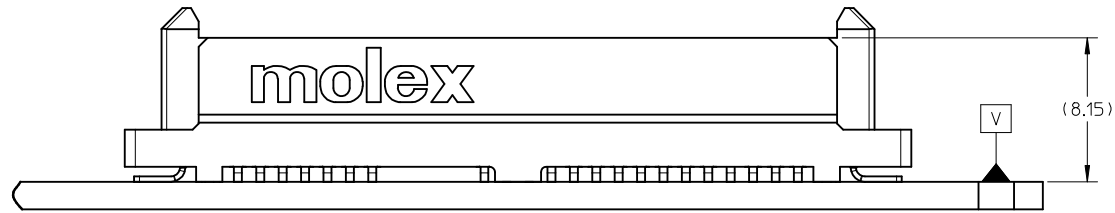
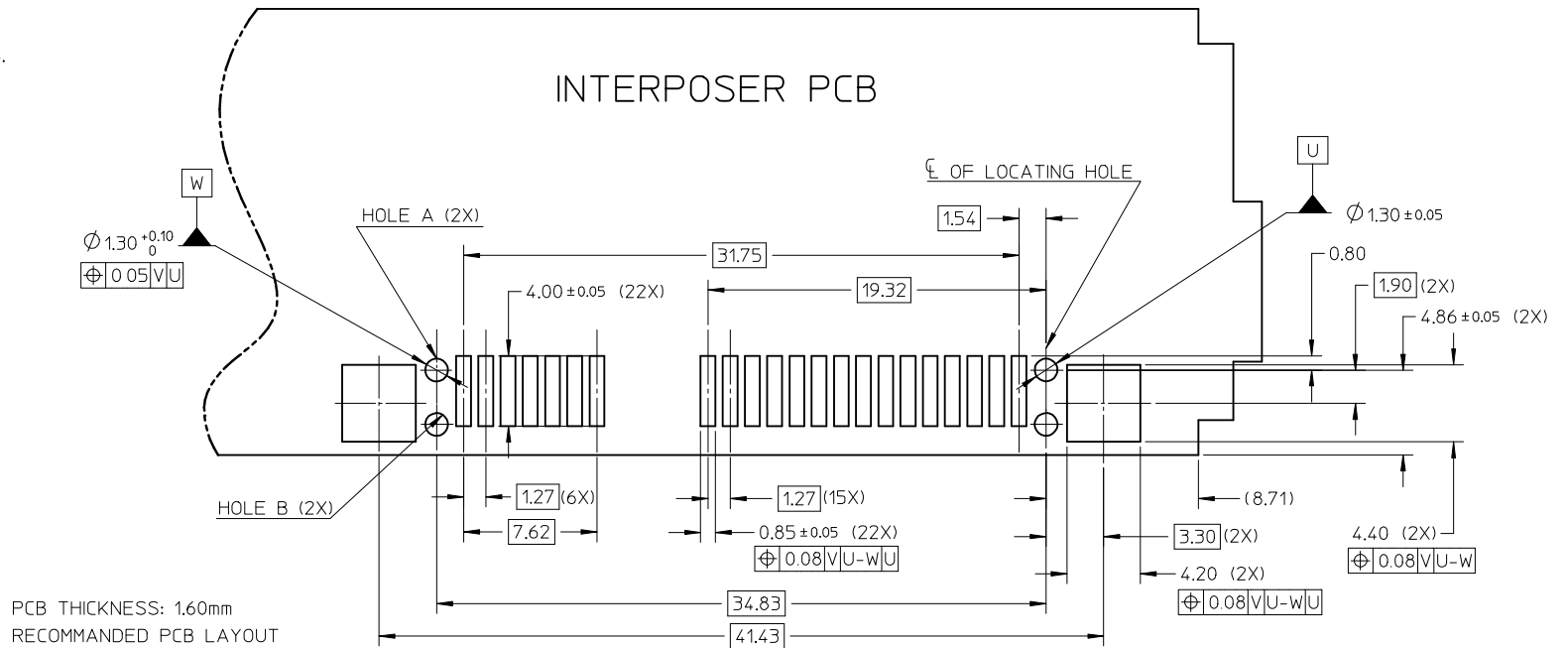
10 9 8 7 6 5 4 3 2 1



SEE SHEET 7 EC NO: S2009-0480 DRWN: MEMARLY 2009/02/09 CHKD: CGOH 2009/02/09 APPR: BOKOK 2009/02/12	QUALITY SYMBOLS ▽=0 ◻=0	GENERAL TOLERANCES (UNLESS SPECIFIED)		DIMENSION STYLE MM ONLY		SCALE NTS	DESIGN UNITS METRIC	THIRD ANGLE PROJECTION		
			mm	INCH	DRAWN BY	DATE	TITLE			
		4 PLACES	± ---	± ---	CGTAN	2005/11/10	SERIAL ATA RECEPTACLE VERTICAL MOUNT SMT			
		3 PLACES	± ---	± ---	CHECKED BY	DATE				
2 PLACES	± 0.20	± ---	SHONG	2005/11/24	MOLEX INCORPORATED					
1 PLACE	± ---	± ---	APPROVED BY	DATE						
ANGULAR ± 3 °		DRAFT WHERE APPLICABLE MUST REMAIN WITHIN DIMENSIONS		MATERIAL NO. SEE TABLE		DOCUMENT NO. SD-78011-101		SHEET NO. 3 OF 7		
THIS DRAWING CONTAINS INFORMATION THAT IS PROPRIETARY TO MOLEX INCORPORATED AND SHOULD NOT BE USED WITHOUT WRITTEN PERMISSION										

9 8 7 6 5 4 3 2 1

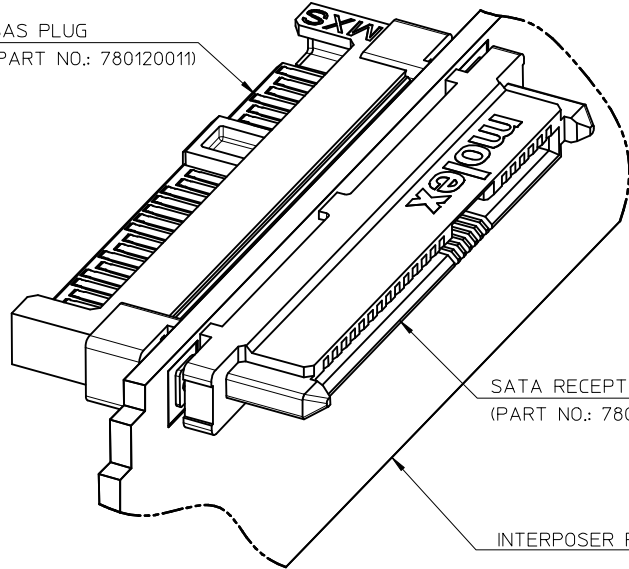
NOTES:
 1. REFER TO SD-78012-101
 FOR HOLES B DETAIL DIMENSIONS.



SEE SHEET 7	EC NO: S2009-0480 DRWN: MEMARLY 2009/02/09 CHKD: CGOH 2009/02/09 APPR: BOKOK 2009/02/12	QUALITY SYMBOLS ▽=0 ∇=0	GENERAL TOLERANCES (UNLESS SPECIFIED)		DIMENSION STYLE MM ONLY		SCALE NTS	DESIGN UNITS METRIC	THIRD ANGLE PROJECTION			
				mm	INCH	DRAWN BY CGTAN	DATE 2005/11/10	TITLE SERIAL ATA RECEPTACLE VERTICAL MOUNT SMT				
			4 PLACES	± ---	± ---	CHECKED BY SHONG	DATE 2005/11/24	MATERIAL NO. SD-78011-101				
			3 PLACES	± ---	± ---	APPROVED BY KCLING	DATE 2005/11/24	DOCUMENT NO. 4 OF 7				
			2 PLACES	± 0.20	± ---	ANGULAR ± 3 °		DRAFT WHERE APPLICABLE MUST REMAIN WITHIN DIMENSIONS			SIZE A3	
			1 PLACE	± ---	± ---	SEE TABLE		THIS DRAWING CONTAINS INFORMATION THAT IS PROPRIETARY TO MOLEX INCORPORATED AND SHOULD NOT BE USED WITHOUT WRITTEN PERMISSION				

NOTES:
 1. APPLICATION AS SHOWN IN SHEET 5/7.
 2. REFER TO SD-78012-101 FOR THE DETAILS OF SAS PLUG.

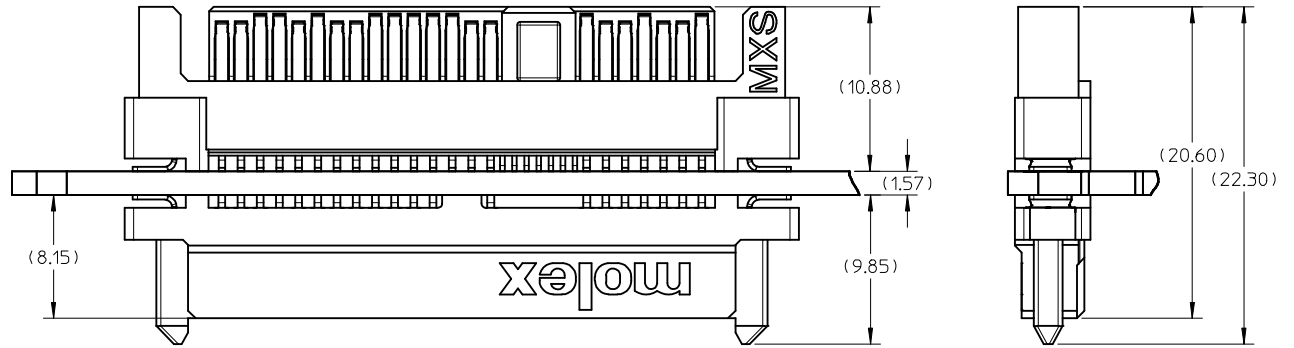
SAS PLUG
 (PART NO.: 780120011)



SATA RECEPTACLE
 (PART NO.: 780110011)

INTERPOSER PCB

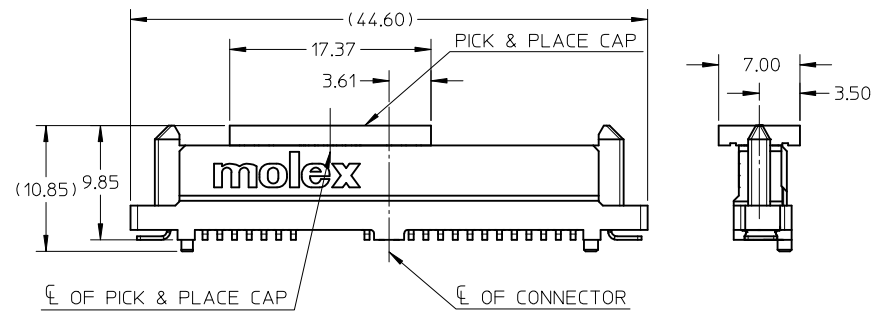
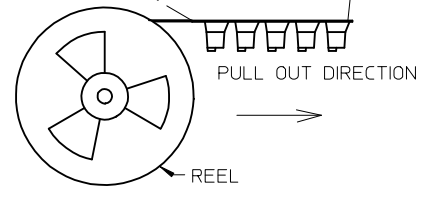
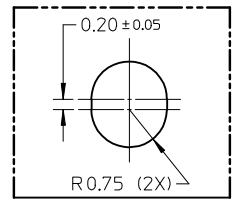
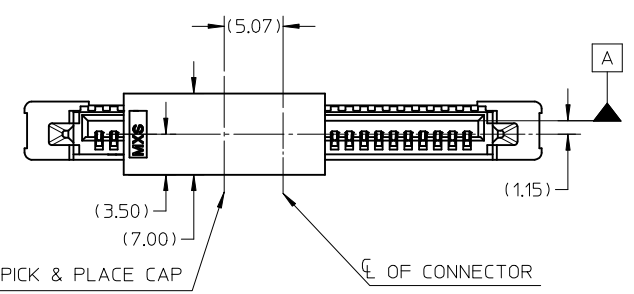
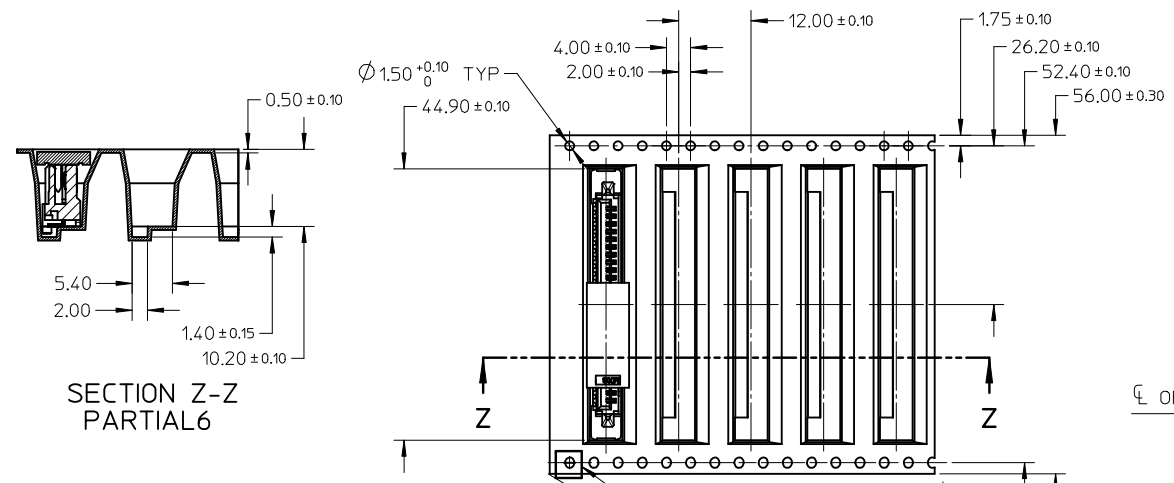
PARTIAL3



SEE SHEET 7 EC NO: S2009-0480 DRWN:GEMARLY 2009/02/09 CHKD:CGOH 2009/02/09 APPR:BOKOK 2009/02/12	DESCRIPTION REV	QUALITY SYMBOLS	GENERAL TOLERANCES (UNLESS SPECIFIED)	DIMENSION STYLE	SCALE	DESIGN UNITS	THIRD ANGLE PROJECTION	
		$\nabla=0$ $\nabla C=0$	mm INCH 4 PLACES ± --- ± --- 3 PLACES ± --- ± --- 2 PLACES ± 0.20 ± --- 1 PLACE ± --- ± --- ANGULAR ± 3 °	MM ONLY	NTS	METRIC		
			DRAFT WHERE APPLICABLE MUST REMAIN WITHIN DIMENSIONS	DRAWN BY: CGTAN DATE: 2005/11/10 CHECKED BY: SHONG DATE: 2005/11/24 APPROVED BY: KCLING DATE: 2005/11/24 MATERIAL NO.	TITLE	SERIAL ATA RECEPTACLE VERTICAL MOUNT SMT		SHEET NO.
				SEE TABLE	MOLEX INCORPORATED DOCUMENT NO. SD-78011-101		5 OF 7	

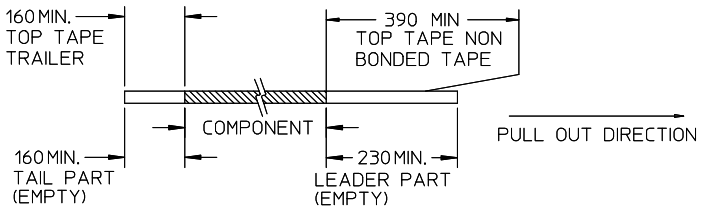
10 9 8 7 6 5 4 3 2 1

PACKING INFORMATION
TAPE AND REEL PACKING

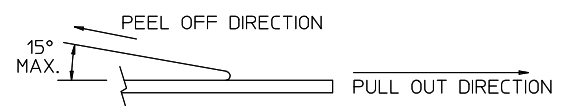


NOTES:

1. LEADER AND TRAILER TAPE



2. PEELING OFF FORCE OF THE TOP TAPE: 80gf MAX. (PEELING DIRECTION AS SHOWN IN FOLLOWING FIGURE)



- 3. TAPE AND REEL SPECIFICATION IS AS PER EIA-481.
- 4. TAPE AND REEL QUANTITY : 450 PCS/ REEL.
- 5. THE TAPE IS TREATED FOR ANTI-STATIC.

SEE SHEET 7 EC NO: S2009-0480 DRW:GEMARLY 2009/02/09 CHKD:CGOH 2009/02/09 APPR:BOKOK 2009/02/12	QUALITY SYMBOLS	GENERAL TOLERANCES (UNLESS SPECIFIED)	DIMENSION STYLE	SCALE	DESIGN UNITS	THIRD ANGLE PROJECTION														
	$\nabla=0$ $\nabla=0$	<table border="1"> <tr> <td></td> <td>mm</td> <td>INCH</td> </tr> <tr> <td>4 PLACES</td> <td>± ---</td> <td>± ---</td> </tr> <tr> <td>3 PLACES</td> <td>± ---</td> <td>± ---</td> </tr> <tr> <td>2 PLACES</td> <td>± 0.20</td> <td>± ---</td> </tr> <tr> <td>1 PLACE</td> <td>± ---</td> <td>± ---</td> </tr> </table>		mm	INCH	4 PLACES	± ---	± ---	3 PLACES	± ---	± ---	2 PLACES	± 0.20	± ---	1 PLACE	± ---	± ---	MM ONLY	NTS	METRIC
	mm	INCH																		
4 PLACES	± ---	± ---																		
3 PLACES	± ---	± ---																		
2 PLACES	± 0.20	± ---																		
1 PLACE	± ---	± ---																		

DRAWN BY CGTAN	DATE	2005/11/10
	CHECKED BY SHONG	DATE
APPROVED BY KCLING	DATE	2005/11/24
MATERIAL NO.		
DRAFT WHERE APPLICABLE MUST REMAIN WITHIN DIMENSIONS		

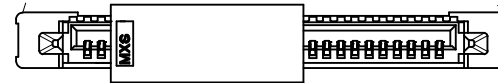
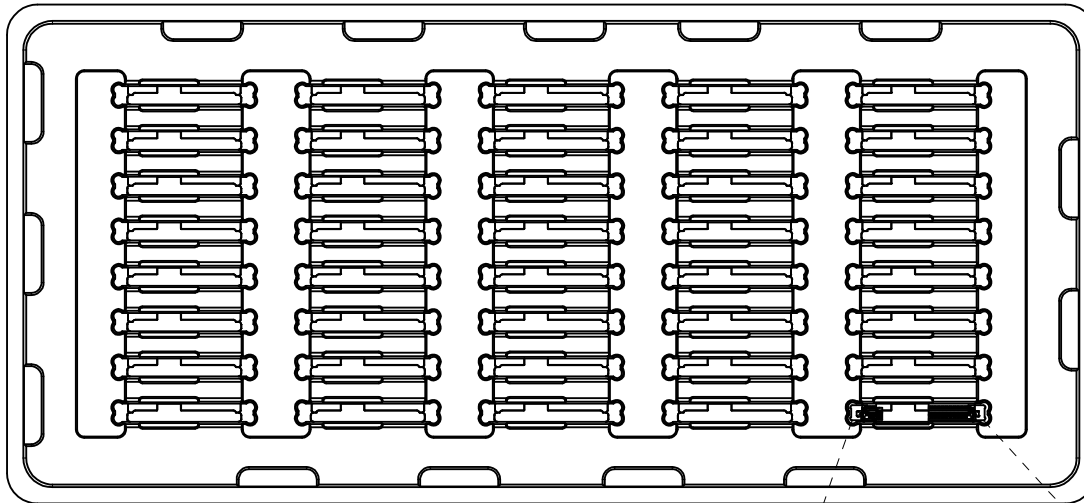
TITLE		SERIAL ATA RECEPTACLE VERTICAL MOUNT SMT
DRAWN BY CGTAN		
CHECKED BY SHONG		MOLEX INCORPORATED
APPROVED BY KCLING		
MATERIAL NO.		DOCUMENT NO.
SEE TABLE		SD-78011-101
SIZE A3	THIS DRAWING CONTAINS INFORMATION THAT IS PROPRIETARY TO MOLEX INCORPORATED AND SHOULD NOT BE USED WITHOUT WRITTEN PERMISSION	

TITLE		SERIAL ATA RECEPTACLE VERTICAL MOUNT SMT
DRAWN BY CGTAN		
CHECKED BY SHONG		MOLEX INCORPORATED
APPROVED BY KCLING		
MATERIAL NO.		DOCUMENT NO.
SEE TABLE		SD-78011-101
SIZE A3	THIS DRAWING CONTAINS INFORMATION THAT IS PROPRIETARY TO MOLEX INCORPORATED AND SHOULD NOT BE USED WITHOUT WRITTEN PERMISSION	

9 8 7 6 5 4 3 2 1

10 9 8 7 6 5 4 3 2 1

PACKING INFORMATION
 PACKING WITH TRAY



PART ORIENTATION IN TRAY

NOTES:

1. TRAY MATERIAL: 0.70mm THICKNESS (BEFORE FORMING), APET-CLEAR, ANTISTATIC.
2. PACKING QUANTITY: 40PCS/TRAY.

CHANGED TRAY EC NO: S2009-0480 DRWNG:GEMEARLY 2009/02/09 CHKD:CGOH 2009/02/09 APPR:BOKOK 2009/02/12	DESCRIPTION QUALITY SYMBOLS ▽=0 ◻=0	GENERAL TOLERANCES (UNLESS SPECIFIED)		DIMENSION STYLE MM ONLY	SCALE NTS	DESIGN UNITS METRIC	THIRD ANGLE PROJECTION			
			mm	INCH	DRAWN BY CGTAN	DATE 2005/11/10	TITLE SERIAL ATA RECEPTACLE VERTICAL MOUNT SMT			
		4 PLACES	± ---	± ---	CHECKED BY SHONG	DATE 2005/11/24	MOLEX MOLEX INCORPORATED			
		3 PLACES	± ---	± ---	APPROVED BY KCLING	DATE 2005/11/24				
2 PLACES	± 0.20	± ---	ANGULAR ± 3 °		MATERIAL NO. SEE TABLE	DOCUMENT NO. SD-78011-101	SHEET NO. 7 OF 7			
1 PLACE	± ---	± ---	DRAFT WHERE APPLICABLE MUST REMAIN WITHIN DIMENSIONS		THIS DRAWING CONTAINS INFORMATION THAT IS PROPRIETARY TO MOLEX INCORPORATED AND SHOULD NOT BE USED WITHOUT WRITTEN PERMISSION					

9 8 7 6 5 4 3 2 1