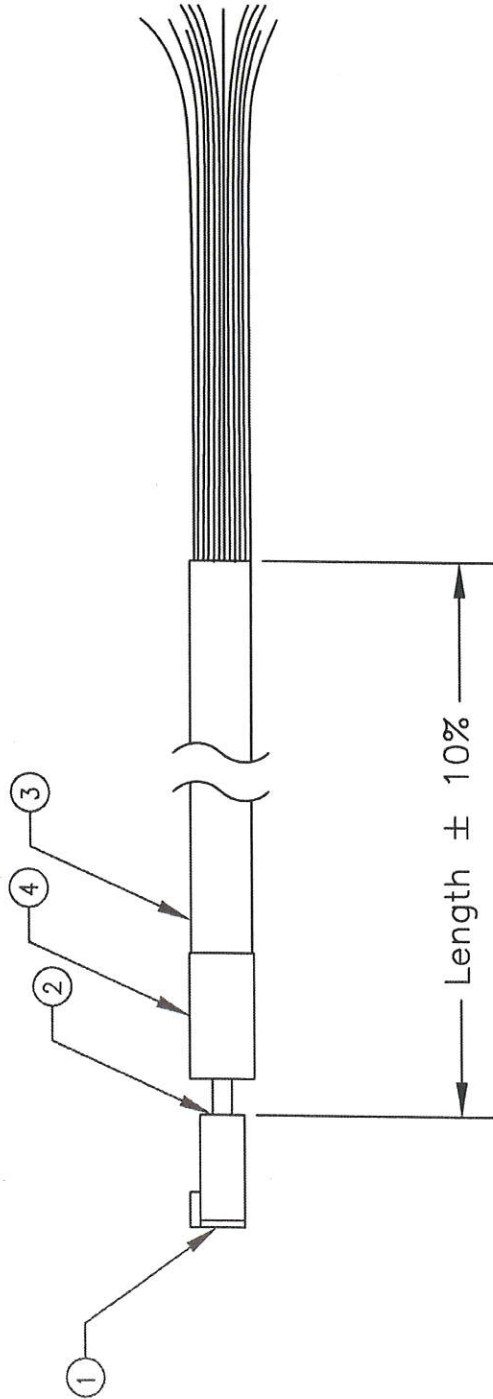


REVISIONS

REV.	DESCRIPTION	DATE	CMPLT. BY	APPRV.
A	CHANGED CABLE TO ALL 22AWG	1/30/97	SB	DLC
B	ADDED DIFFERENT LENGTHS	1/19/98	DLC	SB
C	ADD 30 FT LENGTH	2/10/00	MJL	PSH
D	ADD 5.0M LENGTH	9/19/01	PSH	PSH



- NOTES:
 1. FLYING LEADS TO BE 100mm LONG
 2. DO NOT STRIP FLYING ENDS

CATALOG NO.	LENGTH (m)
998282	1.0
998283	2.0
996607	2.5
996684	3.0
998644	30FT(9.144m)
998790	5.0

Weidmüller
 WEIDMULLER INC.
 821 SOUTHLAKE BLVD.
 RICHMOND, VIRGINIA 23235

DISTRIBUTION: P/N DWG PROD. INSP. OTHER

CAT. NO. VARIOUS
 DRAWN BY SB
 APPROVED BY KMR
 REL. DATE 9/30/96

TITLE: PLC CABLE W/O FPA 40P

PRODUCTION RELEASE PAGE 1 SCALE: DO NOT SCALE

SIZE: A SHEET 1 of 2

TOLERANCE ON :
 X = ± 0.508 mm
 XX = ± 0.254 mm
 XXX = ± 0.127 mm
 XXXX = ± 0.076 mm

UNLESS OTHERWISE SPECIFIED ALL DIMENSIONS ARE IN MILLIMETERS
 () INDICATES REFERENCE DIMENSIONS

PROPRIETARY RIGHTS :
 THIS DOCUMENT INCLUDES DESIGN AND ENGINEERING CONCEPTS WHICH INVOLVE PROPRIETARY AND CONFIDENTIAL INFORMATION OF WEIDMULLER INC. AND THIS DOCUMENT OR ITS CONTENTS MAY NOT BE DISCLOSED TO OTHERS, REPRODUCED, COPIED OR USED WITHOUT THE WRITTEN PERMISSION FROM WEIDMULLER INC. IN RICHMOND, VIRGINIA.

DRAWING NUMBER 1100204 REV. D

PARTS LIST

BUB. #	DESCRIPTION	QTY.
1	CONNECTOR 40-PIN FEMALE	1
2	CRIMP AND POKE TERMINAL	40
3	CABLE 40 COND 22AWG	A/R
4	SHRINK TUBING	50mm