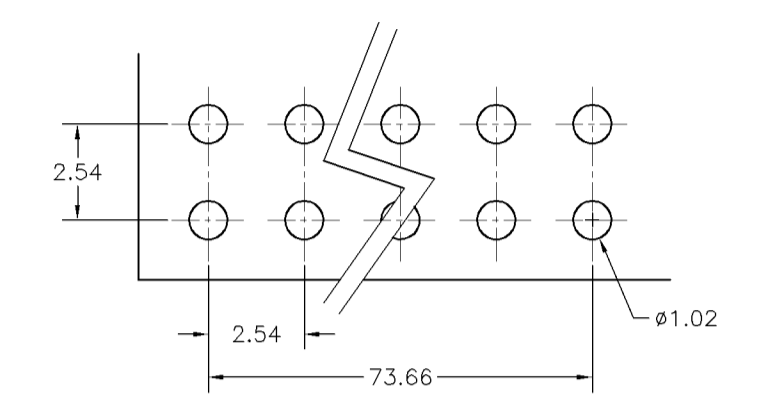
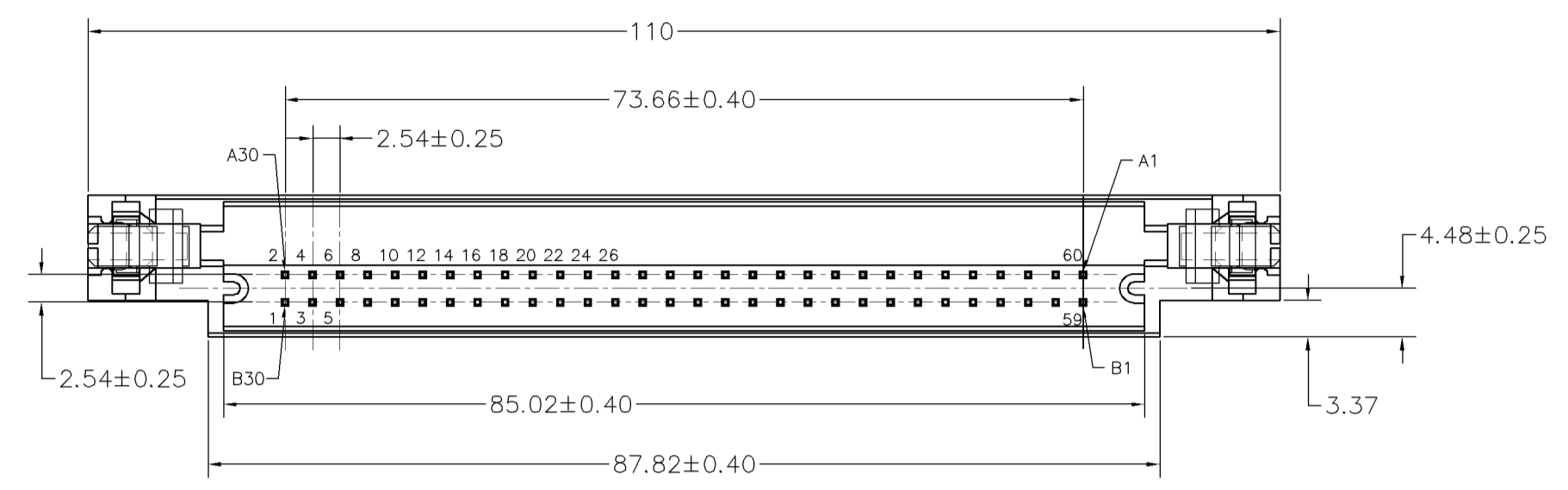
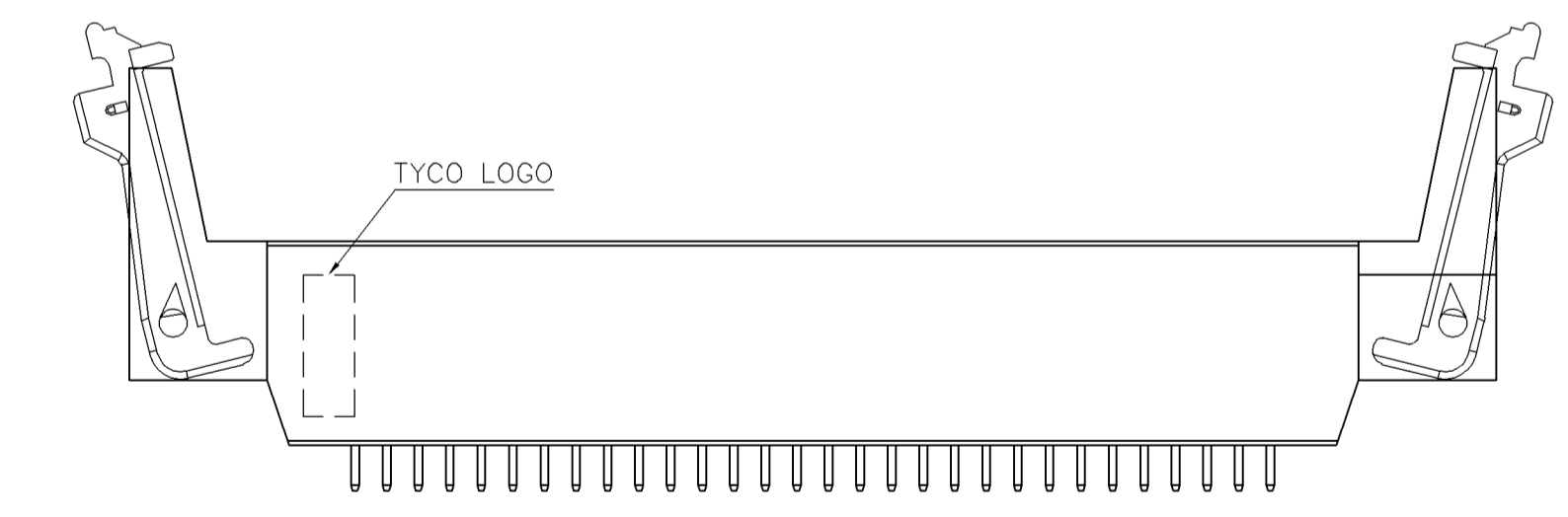
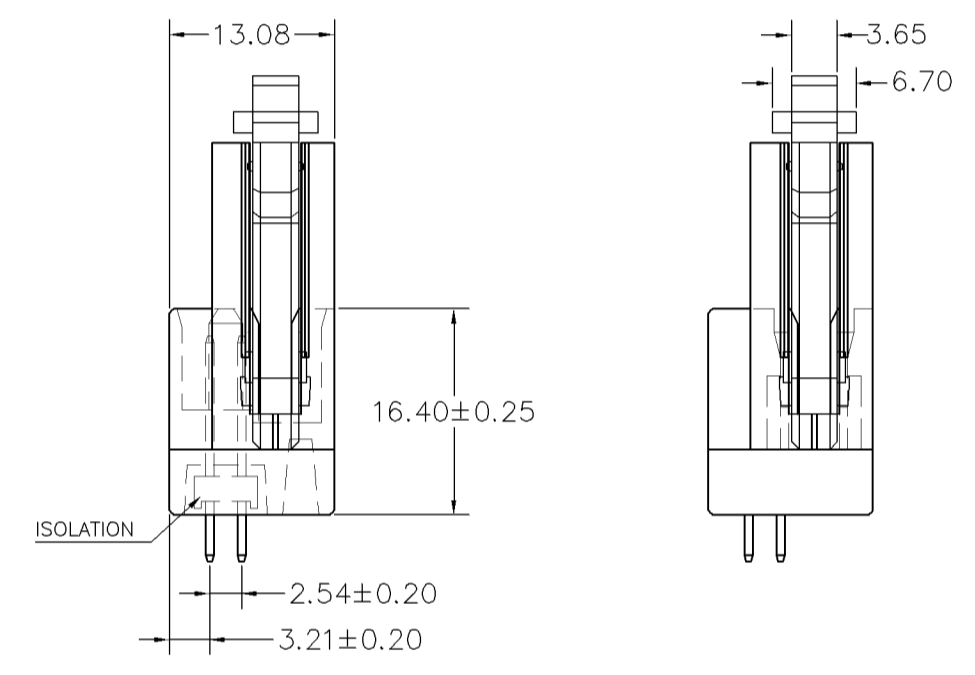
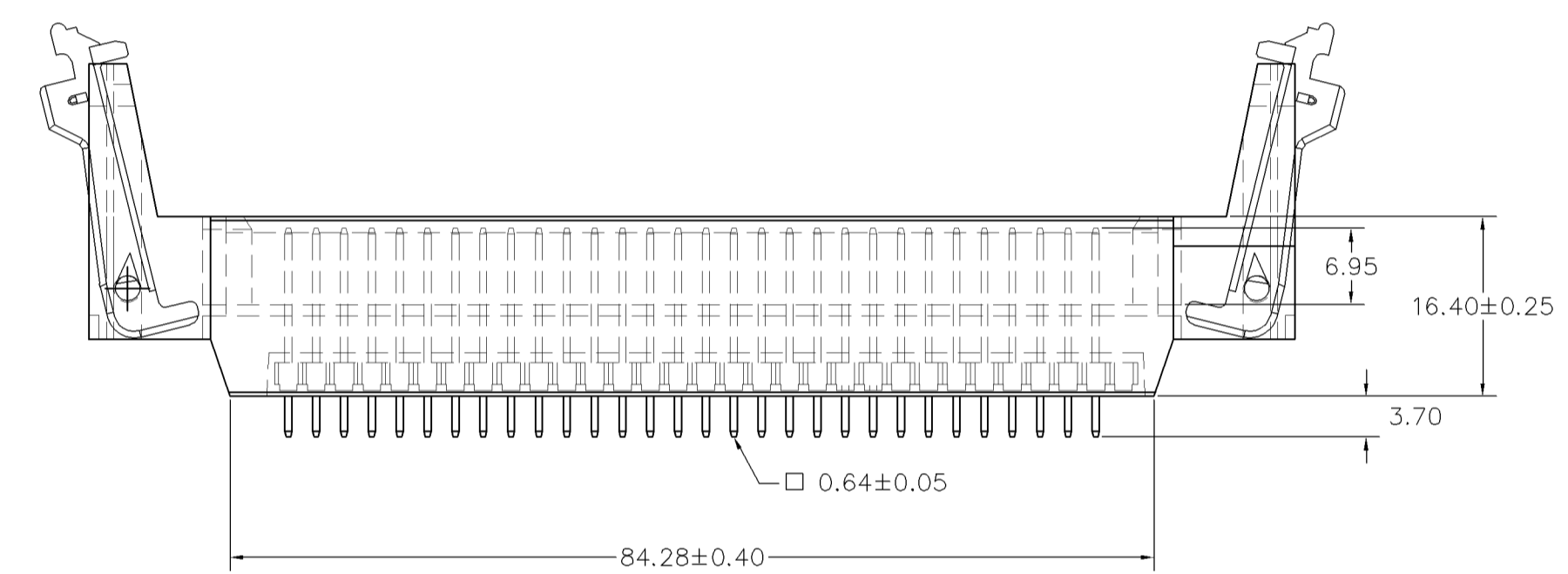


THIS DRAWING IS UNPUBLISHED. RELEASED FOR PUBLICATION  
 © COPYRIGHT BY TYCO ELECTRONICS CORPORATION. ALL RIGHTS RESERVED.

LOC	DIST	REVISIONS					
DW	—	P	LTR	DESCRIPTION	DATE	DWN	APVD
			A	RELEASED	10FEB2007	OH	WK



RECOMMENDED PCB LAYOUT



- NOTE:
- MATERIAL:  
 HOUSING: PA6T, UL 94V-0, BLACK COLOR.  
 LATCH: PA6T, UL 94V-0, BLACK COLOR.  
 ISOLATION OF PIN: PA9T, UL 94V-0, BLACK COLOR  
 CONTACTS: BRASS.
  - FINISH:  
 CONTACTS: 0.381µm [15µ"] MIN. GOLD PLATED ON CONTACT AREA,  
 2.54µm [100µ"] MIN. BRIGHT TIN ON SOLDERTAILS, WITH  
 ENTIRE CONTACT UNDERPLATED 1.27µm [50µ"] MIN. NICKEL.
  - WAVE SOLDER CAPABLE TO 265°C PER TYCO TEST SPEC.  
 109-202, CONDITION B.
  - SPECIFICATIONS:  
 CURRENT RATING: 3 AMPS.  
 INSULATOR RESISTANCE: 5000 MIN. MEGOHMS.  
 DIELECTRIC WITHSTANDING: AC 500 V.  
 OPERATING TEMPERATURE: -40°C ~ +105°C.

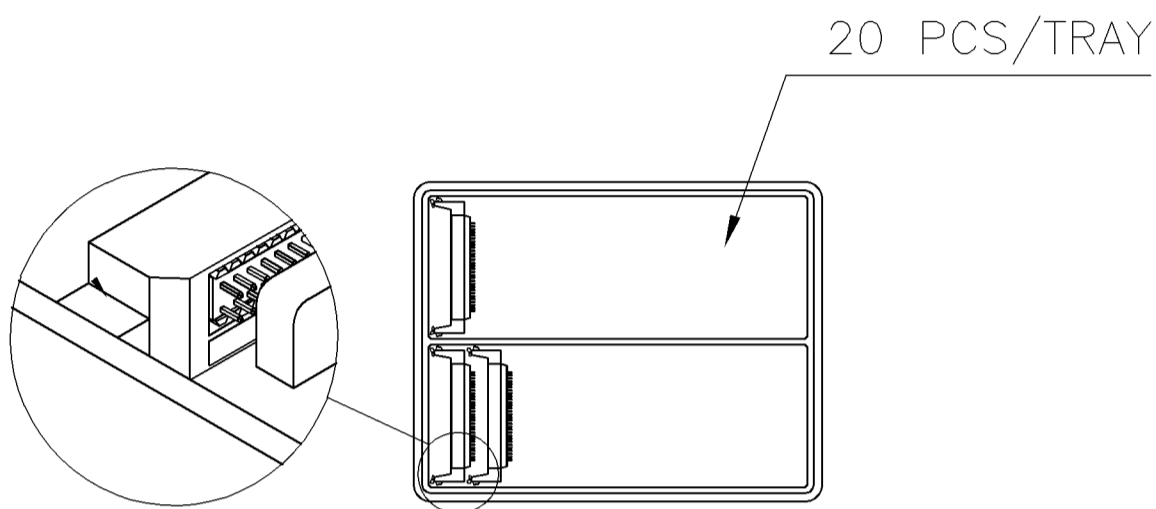
A23	16	1775616-3
A21	20	1775616-2
A19	24	1775616-1
SGI ID FOR OMITTED PIN	CIRCUITY CAVITY ID FOR OMITTED PIN	PART NUMBER

THIS DRAWING IS A CONTROLLED DOCUMENT.		DWN O. HU 08FEB2007	<b>tyco</b> Tyco Holdings (Bermuda) VII Ltd. Taiwan Branch	
		CHK S. HOU 08FEB2007		
		APVD W.J. KE 08FEB2007	NAME	
DIMENSIONS: MM		TOLERANCES UNLESS OTHERWISE SPECIFIED:		PRODUCT SPEC SEE NOTE
		0 PLC ± 0.50 1 PLC ± 0.40 2 PLC ± 0.30 3 PLC ± 4 PLC ± ANGLES ± -		
MATERIAL SEE NOTE		FINISH SEE NOTE		QUALIFICATION TEST REPORT --
		WEIGHT 21.0 GRAM	SIZE A3	CAGE CODE 00779
		CUSTOMER DRAWING		DRAWING NO C=1775616
		SCALE -	SHEET 1 OF 2	RESTRICTED TO -
				REV A

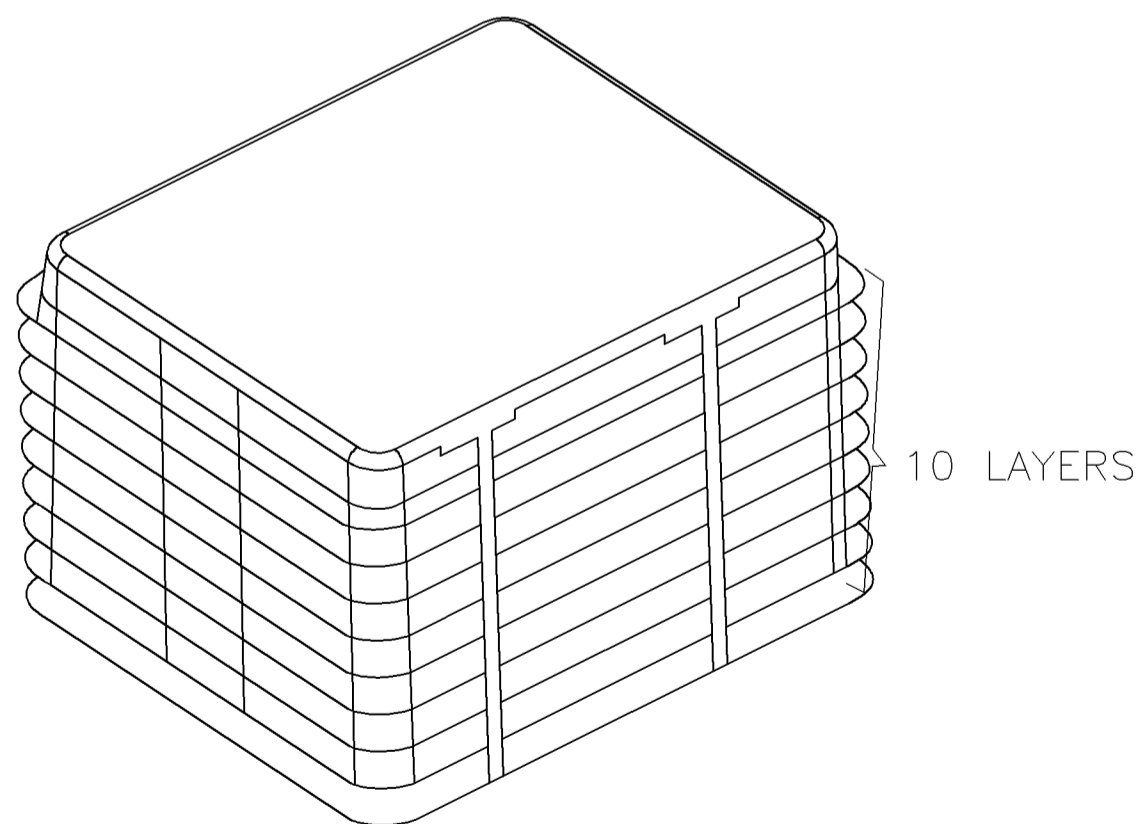
THIS DRAWING IS UNPUBLISHED. RELEASED FOR PUBLICATION  
 © COPYRIGHT BY TYCO ELECTRONICS CORPORATION. ALL RIGHTS RESERVED.

LOC	DIST	REVISIONS					
DW	—	P	LTR	DESCRIPTION	DATE	DWN	APVD
				SEE SHEET 1.			

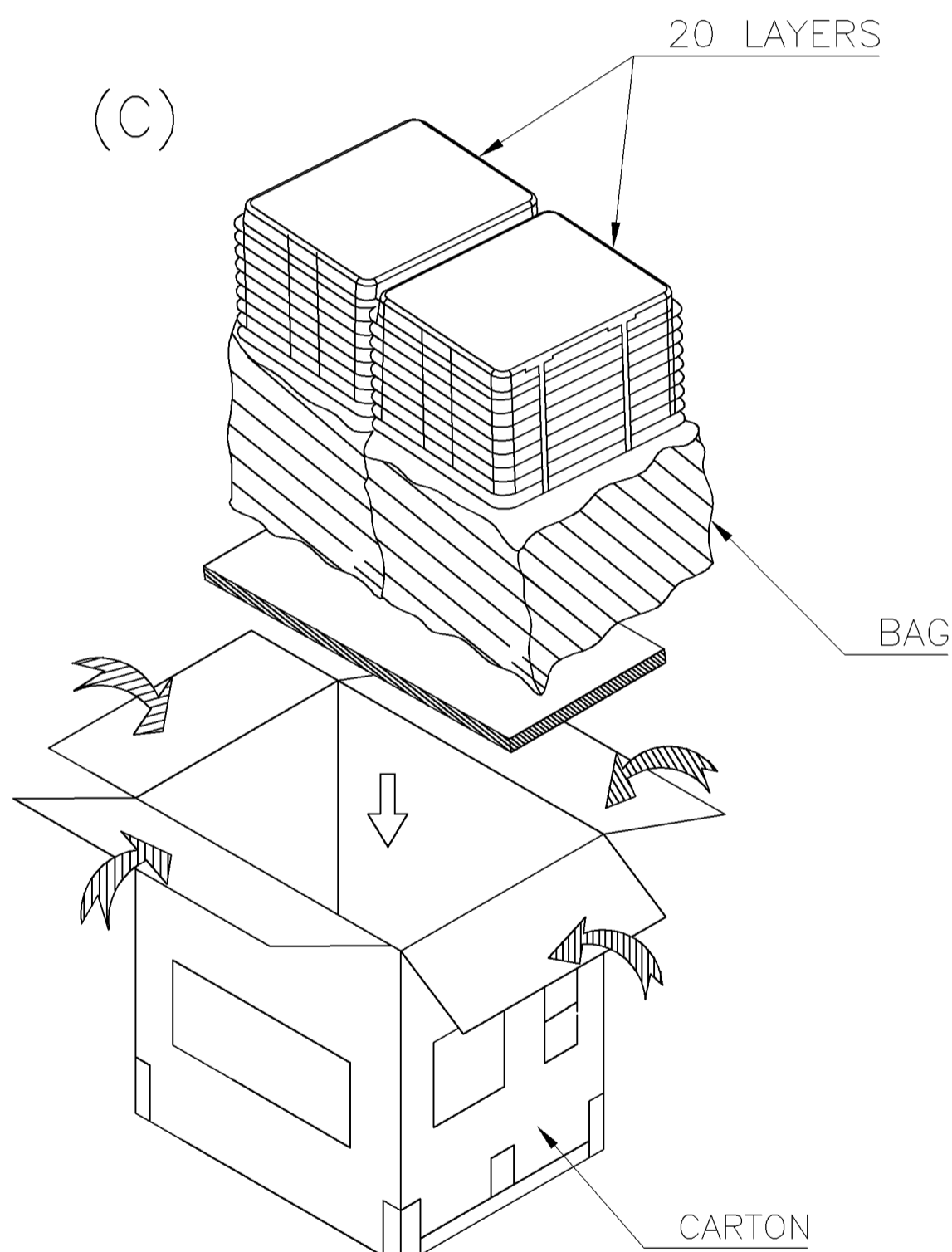
(A)



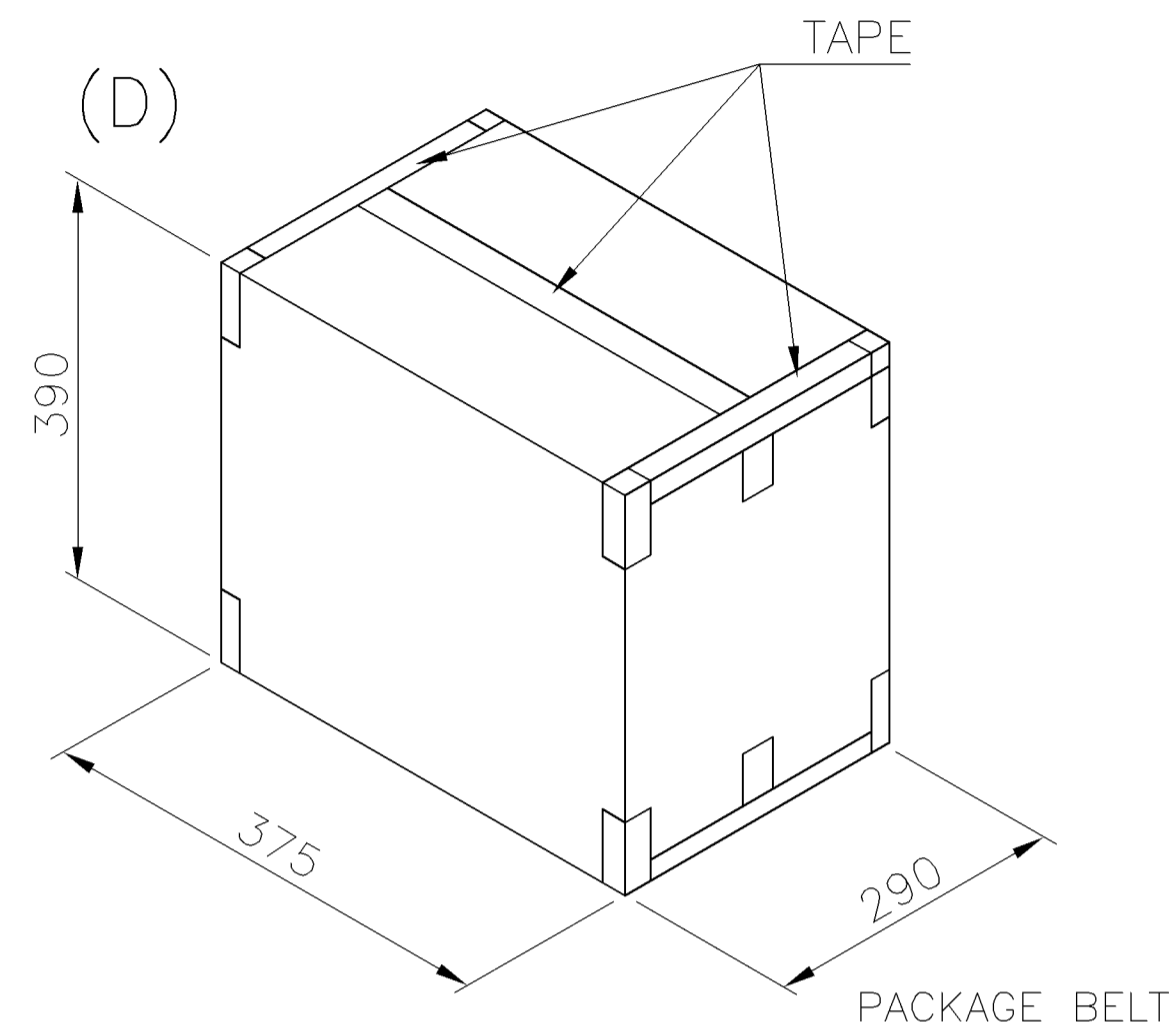
(B)



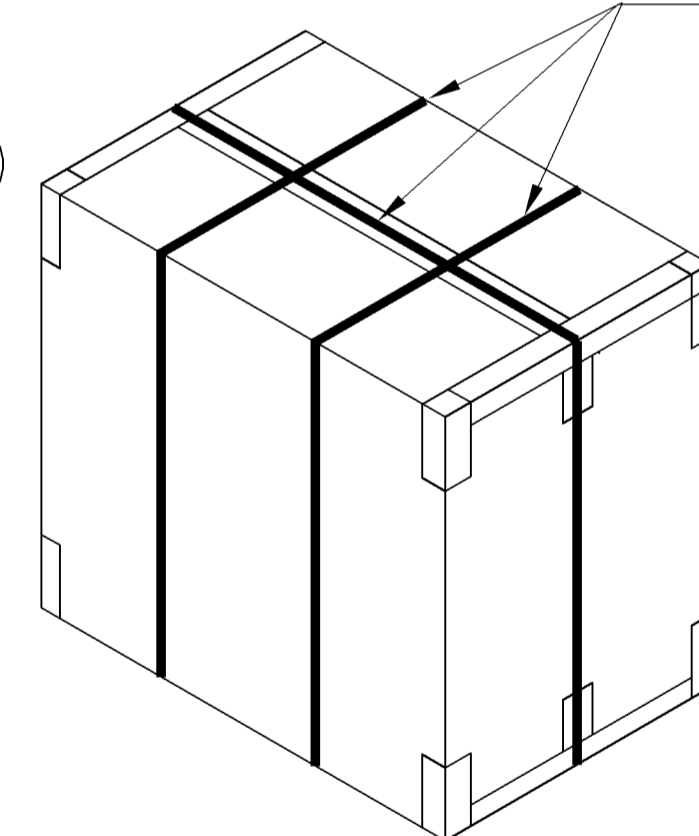
(C)



(D)



(E)



12.3 Kg	8.4 Kg	20	20	400 PCS
GROSS WEIGHT	NET WEIGHT	PCS/TRAY	TRAYS / CARTON	QUANTITY

THIS DRAWING IS A CONTROLLED DOCUMENT.

DIMENSIONS: MM		TOLERANCES UNLESS OTHERWISE SPECIFIED:	
	0 PLC	±	—
	1 PLC	±	—
	2 PLC	±	—
	3 PLC	±	—
	4 PLC	±	—
	ANGLES	±	—
MATERIAL	FINISH		

DWN	O. HU	08FEB2007
CHK	S. HOU	08FEB2007
APVD	W.J. KE	08FEB2007
PRODUCT SPEC	—	
APPLICATION SPEC	—	
WEIGHT	—	

<b>tyco</b>		Tyco Holdings (Bermuda)	
<b>Electronics</b>		VII Ltd. Taiwan Branch	
NAME			
VRM HEADER			
SIZE	CAGE CODE	DRAWING NO	RESTRICTED TO
A3	00779	C=1775616	—
CUSTOMER DRAWING		SCALE	SHEET 2 OF 2
			REV A