

Bridgetek Pte Ltd

Datasheet

MM930Lite Development Module



FT93x Family is a General Purpose 32-bit Microcontroller

1 Introduction

The MM930Lite is a development module for Bridgetek's 32-bit high performance FT93x Microcontroller family, which is used to develop and demonstrate the functionality of the FT930 Embedded Microcontroller.

This module is ideal for applications including home security systems, home automation systems, USB capability products, embedded multimedia application and other industrial control systems.

1.1 Features

For a full list of the FT93x features refer to the [FT93x datasheet](#).

In addition, the MM930Lite module has the following features:

- FT930Q 68-pin QFN package microcontroller.
- Micro SD card socket support.
- In built 8M Byte Eflash memory.
- A Micro-B USB for connecting to a USB host or providing a power supply over USB for the board.
- 2x8 pins 2.54mm pitch dual entry female header and 16 pins 0.5mm pitch FFC/FPC connectors for SPI master to support LCD display modules.
- 2x5 pins 1.27mm pitch female Micro-MaTch connector for software download.
- 2x20 pins 2.54mm pitch female header support for external feature expansions.
- +5V alternative power supply DC connector.
- Hardware Reset button provided.

Neither the whole nor any part of the information contained in, or the product described in this manual, may be adapted or reproduced in any material or electronic form without the prior written consent of the copyright holder. This product and its documentation are supplied on an as-is basis and no warranty as to their suitability for any particular purpose is either made or implied. Bridgetek Pte Ltd will not accept any claim for damages howsoever arising as a result of use or failure of this product. Your statutory rights are not affected. This product or any variant of it is not intended for use in any medical appliance, device or system in which the failure of the product might reasonably be expected to result in personal injury. This document provides preliminary information that may be subject to change without notice. No freedom to use patents or other intellectual property rights is implied by the publication of this document. Bridgetek Pte Ltd, 178 Paya Lebar Road, #07-03, Singapore 409030. Singapore Registered Company Number: 201542387H

2 Ordering Information

Part No.	Description
MM930Lite	FT930 module, a FT32, 32-bit microcontroller with 128kB flash memory, 32kB data RAM and 128kB program memory embedded. SD3.0, USB2.0 Device, 8MB Eflash, several interface pin headers and connectors included.

Table 2-1 – Ordering information

3 Program Support

Example applications are provided for the MM930Lite module by Bridgetek.

The following documents provide further details for software development.

Other relevant documents and examples exist so please see the [Bridgetek website](#) for further information.

Refer to [BRT_AN_010_FT93x_User_Manual](#) for system register information.

Table of Contents

1	Introduction	1
1.1	Features.....	1
2	Ordering Information	2
3	Program Support.....	2
4	Board Layout.....	4
4.1	Power Supply	5
4.2	Microcontroller.....	6
4.3	Micro SD Connector.....	7
4.4	USB Connector	8
4.5	Programmer Interface	9
4.5.1	CN5 – 10-pin Micro-Match Program Interface Signals.....	9
4.6	SPI Master Interface.....	11
4.6.1	J1 – 16-pin Dual Entry Header, SPI Master and Control Signals.....	12
4.6.2	CN4 – 16-pin FPC/FFC connector.....	13
4.7	External I/O Bus.....	14
4.7.1	CN1 – 40-pin Dual Entry Header, Multiple function GPIO & Control Signals	14
5	Board Schematic	16
6	Mechanical Dimensions	18
6.1	MM930Lite PCB Dimensions	18
7	Contact Information.....	19
Appendix A - References		20
Document References		20
Acronyms and Abbreviations.....		20
Appendix B - List of Figures and Tables		21
List of Figures		21
List of Tables.....		21
Appendix C – Revision History		22

4 Board Layout

The MM930Lite development board is a 55 mm x 85 mm (Not including the 4 mounting holes) four-layer printed circuit board. The layout is as shown in Figure 4-1.

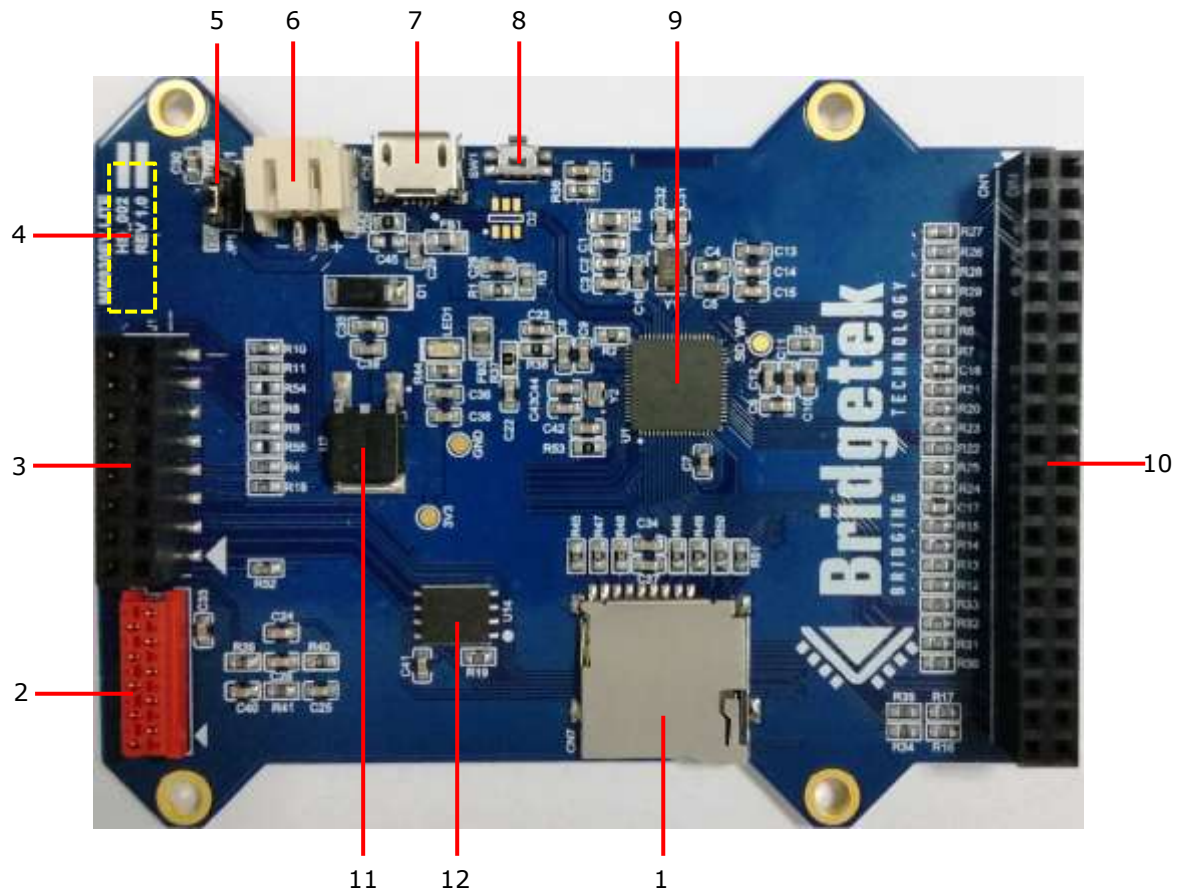


Figure 4-1 – MM930Lite Board Layout

Key Features:

- | | |
|--|--|
| 1. Micro SD card socket | 7. USB Micro-B connector |
| 2. Micro-MaTch connector | 8. H/W Reset button |
| 3. Dual-entry female header | 9. FT930Q QFN68 Microcontroller |
| 4. FPC/FFC connector (located beneath board) | 10. External I/O bus female pin header |
| 5. Alternative power supply jumper | 11. LDO regulator |
| 6. +5V DC power socket | 12. 8M Byte Eflash memory |

4.1 Power Supply

The MM930Lite development board provides optional power supply sources with **JP1** jumper:

1. +5V DC power supply, **CN6** right angle connector.
2. Over USB via the Micro-B USB **CN3** port.

Pin No.	Name
1-2	USB VBUS power supply
2-3	+5V DC power supply

Table 4-1 – JP1 Pinout

A red LED (LED1) will illuminate after the +5V power supply is applied. This supply will also drive a fixed +3.3V LDO regulator which will provide power to all peripherals of the FT930 microcontroller.

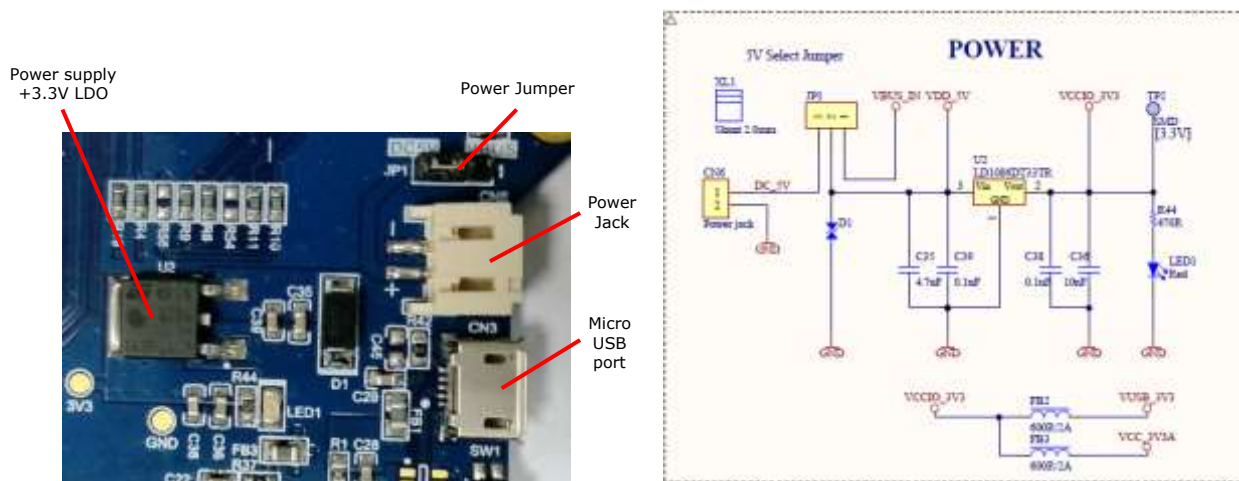


Figure 4-2– Power supply

4.2 Microcontroller

The FT930Q 68-pin QFN microcontroller (U1) provided on the board belongs to the 32-bit FT93x Microcontroller family from Bridgetek. For details of the FT930 Microcontroller, refer to the [FT93x datasheet](#).



Figure 4-3– FT930 Microcontroller

There are two crystals used on the MM930Lite development board. The 12MHz crystal (Y1) is the primary system clock frequency supplying the FT930Q IC. The 32.768 KHz crystal (Y2) is the system clock frequency supporting the internal RTC.

The FT930Q IC on this board is operated with a single supply of +3.3V. The FT9xx Core +1.2V from internal regulator is used as power source for internal RTC. These power output pins have decoupling capacitors as specified in the datasheet.

4.3 Micro SD Connector

The FT930Q Microcontroller has a SD3.0 controller to support different speed classes, physical sizes and capacities of Secure Digital (SD) cards. There is a Micro SD connector on the MM930Lite development module for inserting Micro SD cards (11 x15 x1.0 mm).

There are three standard capacity cards supported:

- Secure Digital (SD) standard – Up to 2GB SD memory card
- Secure Digital High Capacity (SDHC) standard – Over 2GB-32GB SDHC memory card
- Secure Digital eXtended Capacity (SDXC) standard – Over 32GB-2TB SDXC memory card

Standard class speeds 2, 4, 6, 10, and Ultra High Speed (UHS) classes U1 and U3 are all supported. The design of the physical interface supports 4-bit SD bus mode and card detection.

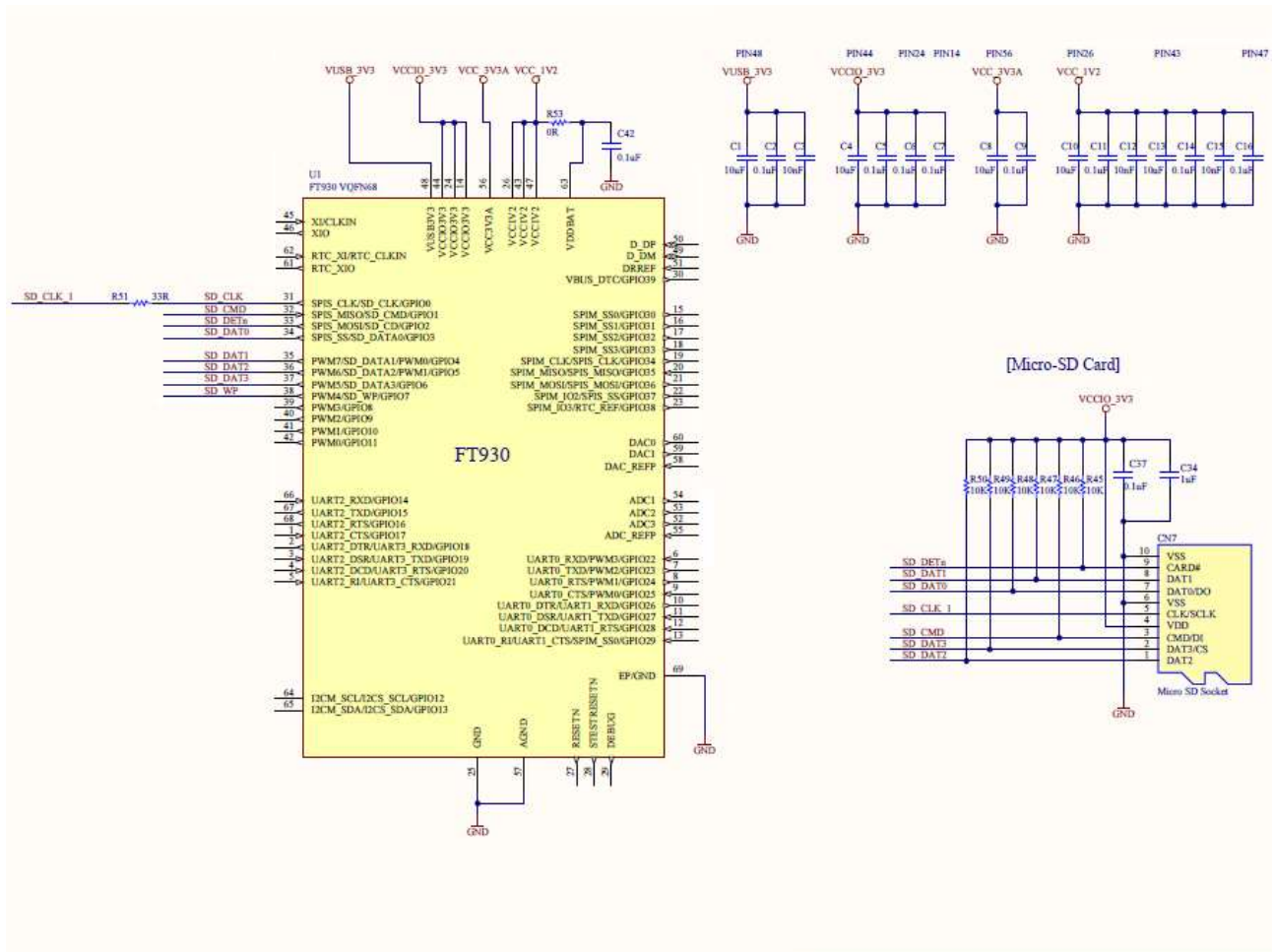


Figure 4-4– Micro SD Connector

4.4 USB Connector

There is a USB connector provided on the MM930Lite board. **CN3** is a Micro-B type USB2.0 connector which is used for connecting the module to a USB host.

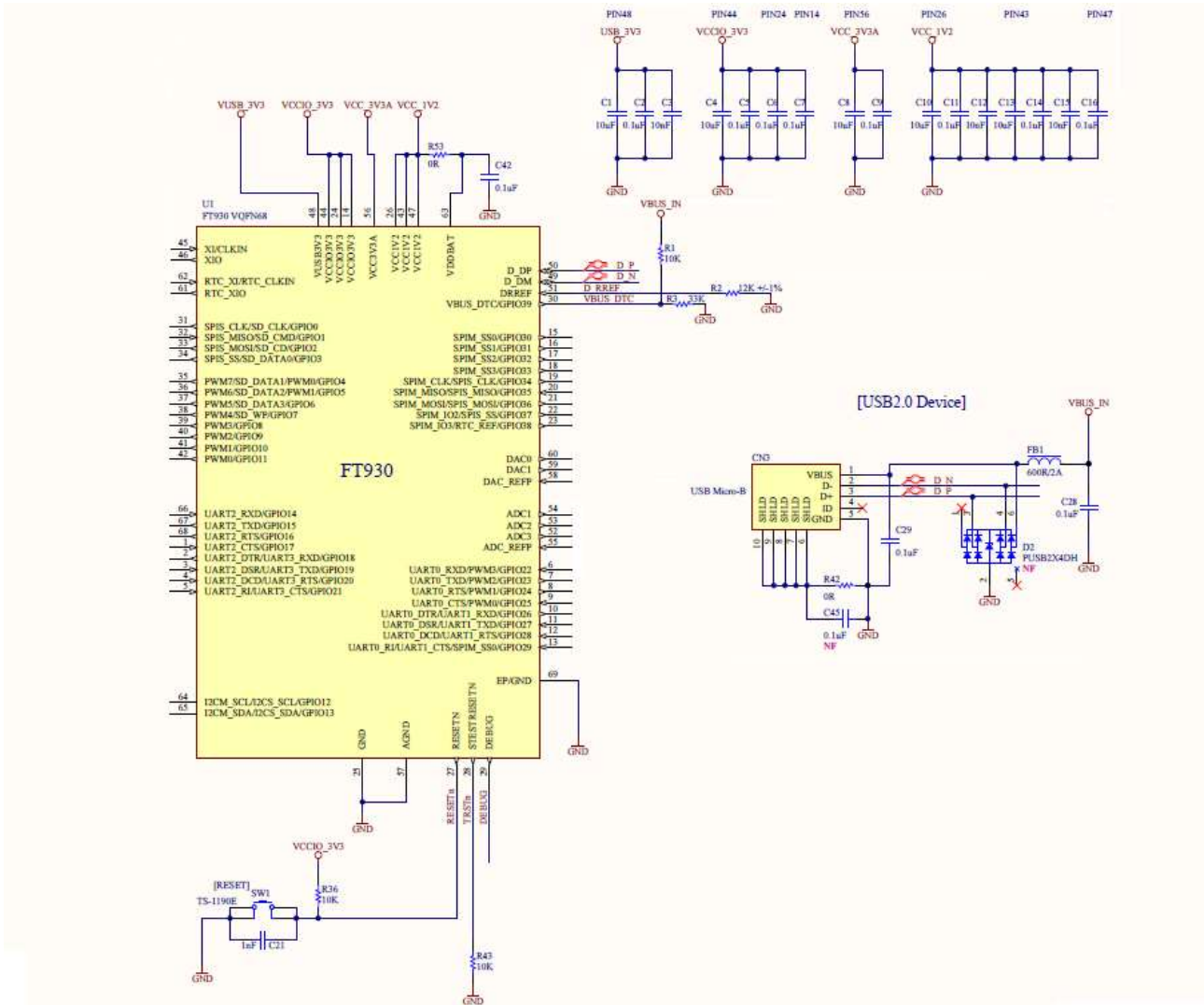


Figure 4-5– USB Connectors

4.5 Programmer Interface

The programmer interface **CN5**, 2x5 pins 1.27mm pitch female Micro-Match header supports software application download, GDB debugging on the MM930Lite development board with the [UMFTPD2A module](#)..

4.5.1 CN5 – 10-pin Micro-Match Program Interface Signals

Pin No.	Name	Type	Description
1~6	-	-	-
7	GND	P	Ground
8	DEBUG	I/O	FT90x One-Wire Interface
9	GDB_5V	P	External 5V power supply
10	RESETn	P	H/W Reset, active low

Table 4-2 – CN5 Pinout

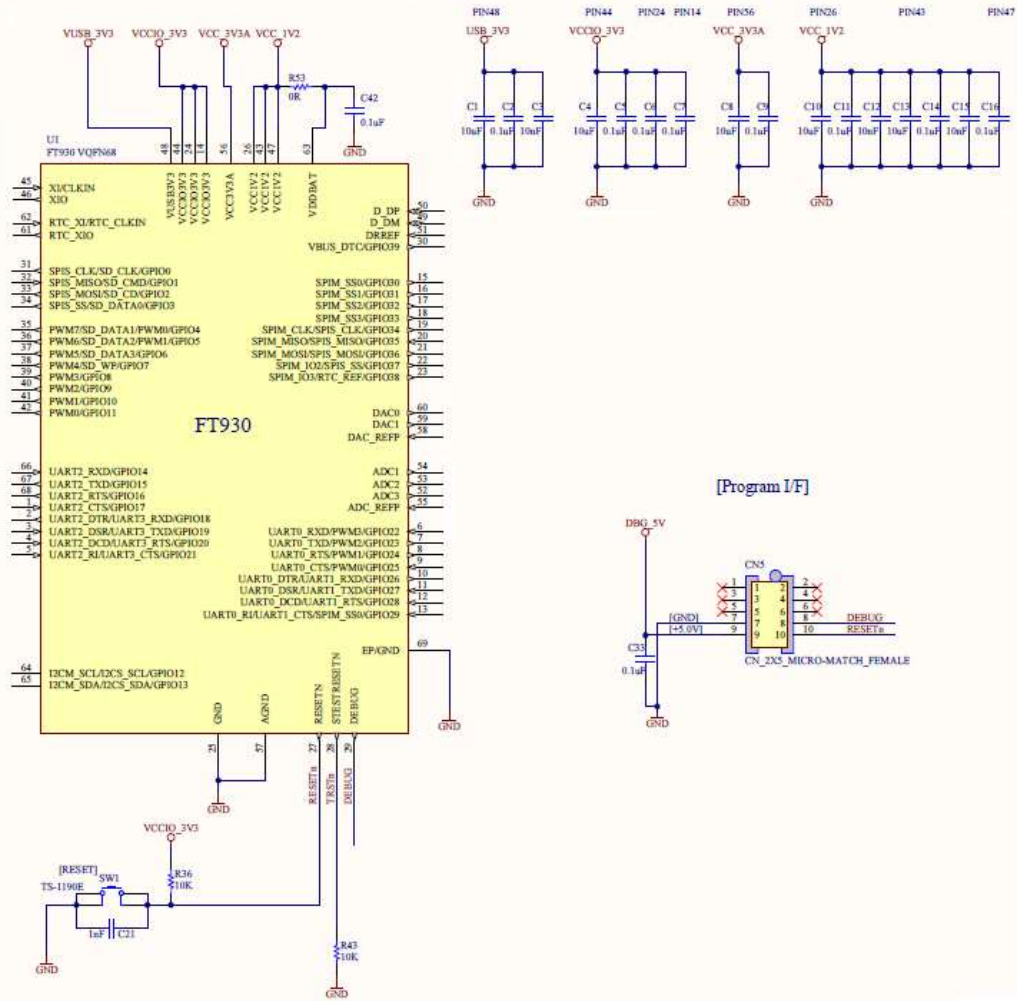


Figure 4-6 – Programmer Interface

4.6 SPI Master Interface

The FT930Q microcontroller has a SPI master interface that supports single, dual and quad SPI data transfer modes. There are two alternative connectors for supporting different LCD display modules as SPI slave devices.

- The **J1** dual-entry 2x8 pins 2.54mm pitch, female header (located on top of board **Error! Reference source not found.**) is designed for FT80x and FT81x Embedded Video Engine (EVE) family LCD display modules. As an example the [ME810A-HV35R module](#), can connect directly to the MM930Lite development board on the bottom side with a male pin header.
- The **CN4** 16 pins 0.5mm pitch, bottom contact FFC/FPC connector (located beneath board **Error! Reference source not found.**) provides an alternative connection for LCD display modules that meet FT80x or FT81X chip technical specifications and use a 16-pin 0.5mm pitch flexible flat cable to link to the board.

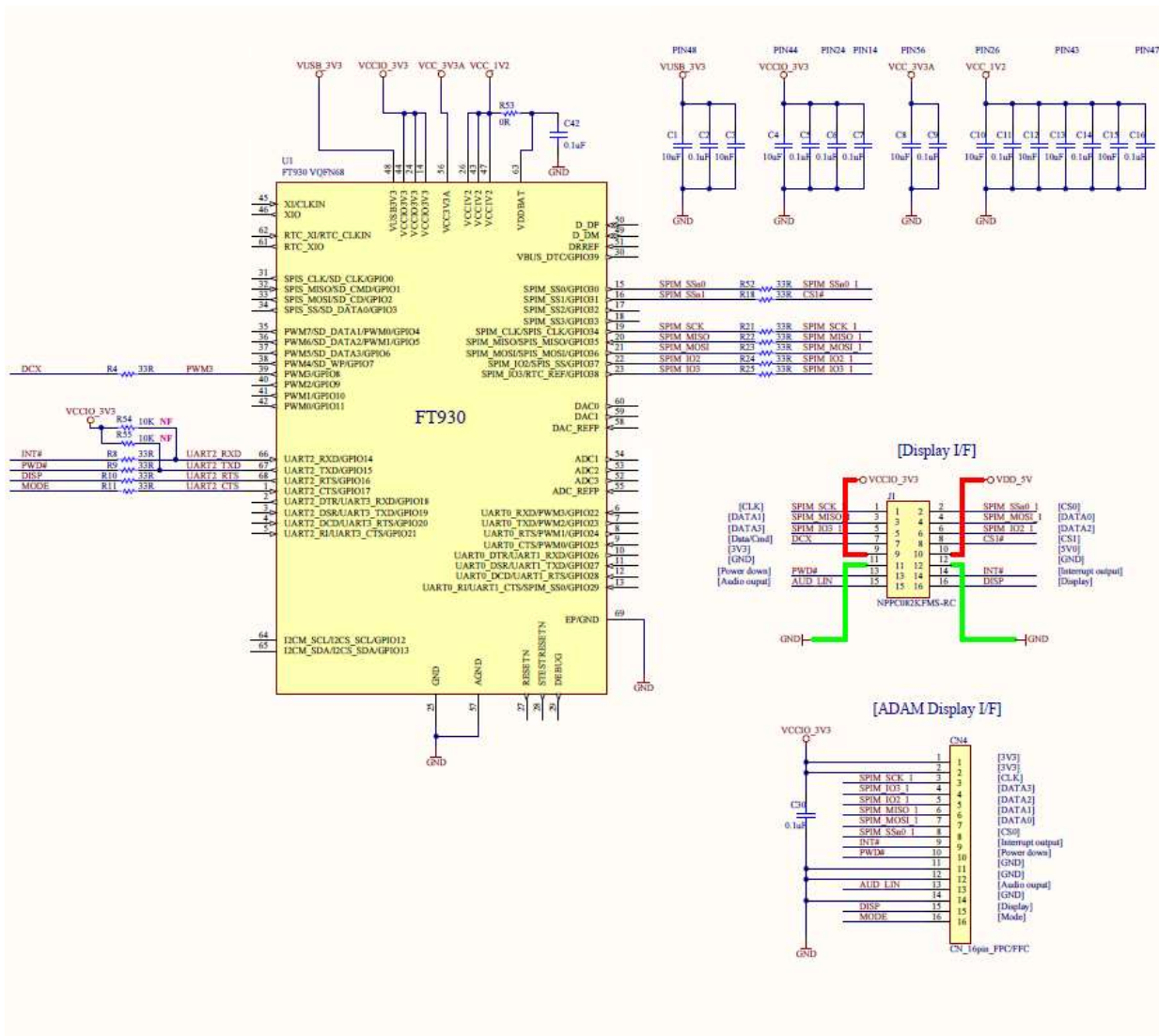


Figure 4-7– SPI Master Interface

4.6.1 J1 – 16-pin Dual Entry Header, SPI Master and Control Signals

Pin No.	Name	Type	Description
1	SPIM_SCK	O	SPI Master clock output
2	SPIM_SS _n 0	O	SPI Master chip select 0, active low
3	SPIM_MISO	I/O	SPI Master input, Slave output Data 1 for Quad SPI
4	SPIM_MOSI	I/O	SPI Master output, Slave input Data 0 for Quad SPI
5	SPIM_IO3	I/O	General I/O, data 3 for Quad SPI
6	SPIM_IO2	I/O	General I/O, data 2 for Quad SPI
7	DCX	O	Data / command selection pin for LCD controller Low: Command High: Parameter
8	CS1#	O	SPI Master chip select 1, active low for LCD controller
9	VCCIO_3V3	P	+3.3V power supply
10	VDD_5V	P	+5V power supply
11	GND	P	Ground
12	GND	P	Ground
13	PWD#	O	FT80X power down control, active low
14	INT#	I	Interrupt input from FT80X, active low
15	AUD_LIN	I	Audio PWM input from FT80X
16	DISP	O	LCD display enable

Table 4-3 – J1 Pinout

4.6.2 CN4 – 16-pin FPC/FFC connector

Pin No.	Name	Type	Description
1,2	VCCIO_3V3	P	+3.3V Power supply
3	SPIM_SCK	O	SPI Master clock output
4	SPIM_IO3	I/O	General I/O, data 3 for Quad SPI
5	SPIM_IO2	I/O	General I/O, data 2 for Quad SPI
6	SPIM_MISO	I/O	SPI Master input, Slave output Data 1 for Quad SPI
7	SPIM_MOSI	I/O	SPI Master output, Slave input Data 0 for Quad SPI
8	SPIM_SSn0	O	SPI Master chip select 0, active low
9	INT#	I	Interrupt input from FT80X, active low
10	PWD#	O	FT80X power down control, active low
11,12,14	GND	P	Ground
13	AUD_LIN	I	Audio PWM input from FT80X
15	DISP	O	LCD display enable
16	MODE	O	Serial interface selection for FT80X Low: SPI interface High: I2C interface

Table 4-4 – CN4 Pinout

4.7 External I/O Bus

There are 23 multiple function GPIOs provided on **CN1** 2x20 pins, 2.54mm pitch female header. External feature boards may connect via UART, PWM, ADC, DAC, SPI and I2C on these IO connectors.

Table 4-5 lists all features assigned for each pin.

4.7.1 CN1 – 40-pin Dual Entry Header, Multiple function GPIO & Control Signals

Pin No.	Function 1	Function 2	Function 3	Function 4
1,3,5,15,24	GND	-	-	-
2	FT800_AUDL	-	-	-
4	GPIO23	UART0_TXD	PWM2	-
6	GPIO22	UART0_RXD	PWM3	-
7	DAC1	-	-	-
8	GPIO24	UART0_RTS	PWM1	-
9	DAC0	-	-	-
10	GPIO25	UART0_CTS	PWM0	-
11,25,26	-	-	-	-
12	GPIO9	PWM2	-	-
13	GPIO11	PWM0	-	-
14	GPIO10	PWM1	-	-
16	VDD_5V	-	-	-
17	GPIO33	SPIM_SSn3	-	-
18	GPIO34	SPIM_SCK	SPIS_SCK	-
19	GPIO35	SPIM_MISO	SPIS_MISO	-
20	GPIO36	SPIM_MOSI	SPIS_MOSI	-
21	GPIO38	SPIM_IO3	RTC_REF	-
22	GPIO37	SPIM_IO2	SPIS_SS	-
23	VCCIO_3V3	-	-	-
27	GPIO20	UART3_RTS	-	-
28	GPIO21	UART3_CTS	-	-
29	GPIO18	UART3_RXD	-	-
30	GPIO19	UART3_TXD	-	-
31	GPIO29	UART0_RI	UART1_CTS	-
32	GPIO28	UART0_DCD	UART1_RTS	-
33	GPIO27	UART0_DSR	UART1_TXD	-
34	GPIO26	UART0_DTR	UART1_RXD	-
35	ADC2	-	-	-
36	ADC1	-	-	-

Pin No.	Function 1	Function 2	Function 3	Function 4
37	ADC3	-	-	-
38	GPIO17	I2CM_SDA	I2CS_SDA	-
39	RESETn	-	-	-
40	GPIO18	I2CM_SCL	I2CS_SCL	-

Table 4-5 – CN1 External I/O Bus

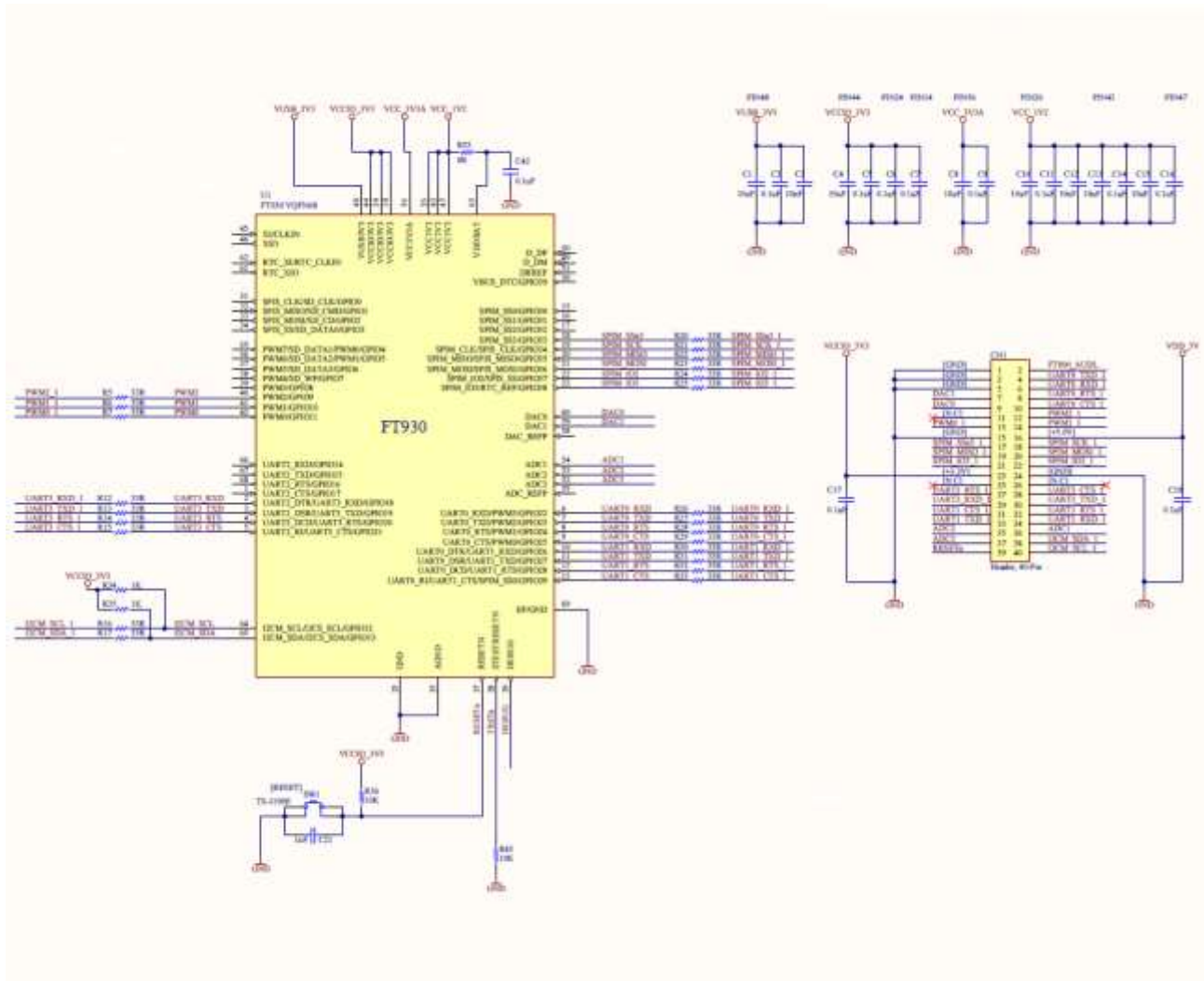


Figure 4-8– External I/O Bus

5 Board Schematic

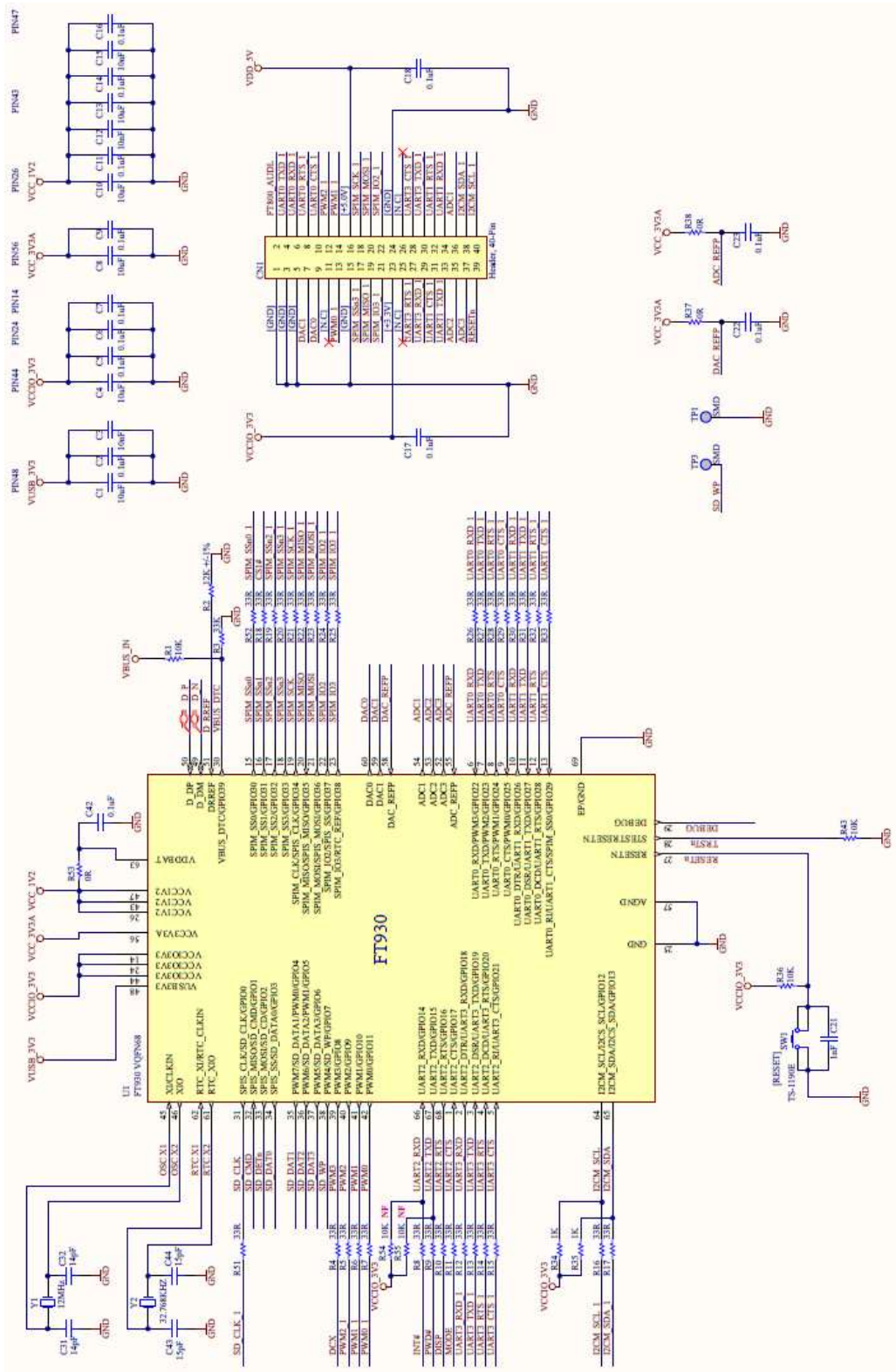


Figure 5-1 – MM930Lite MCU and External I/O Bus

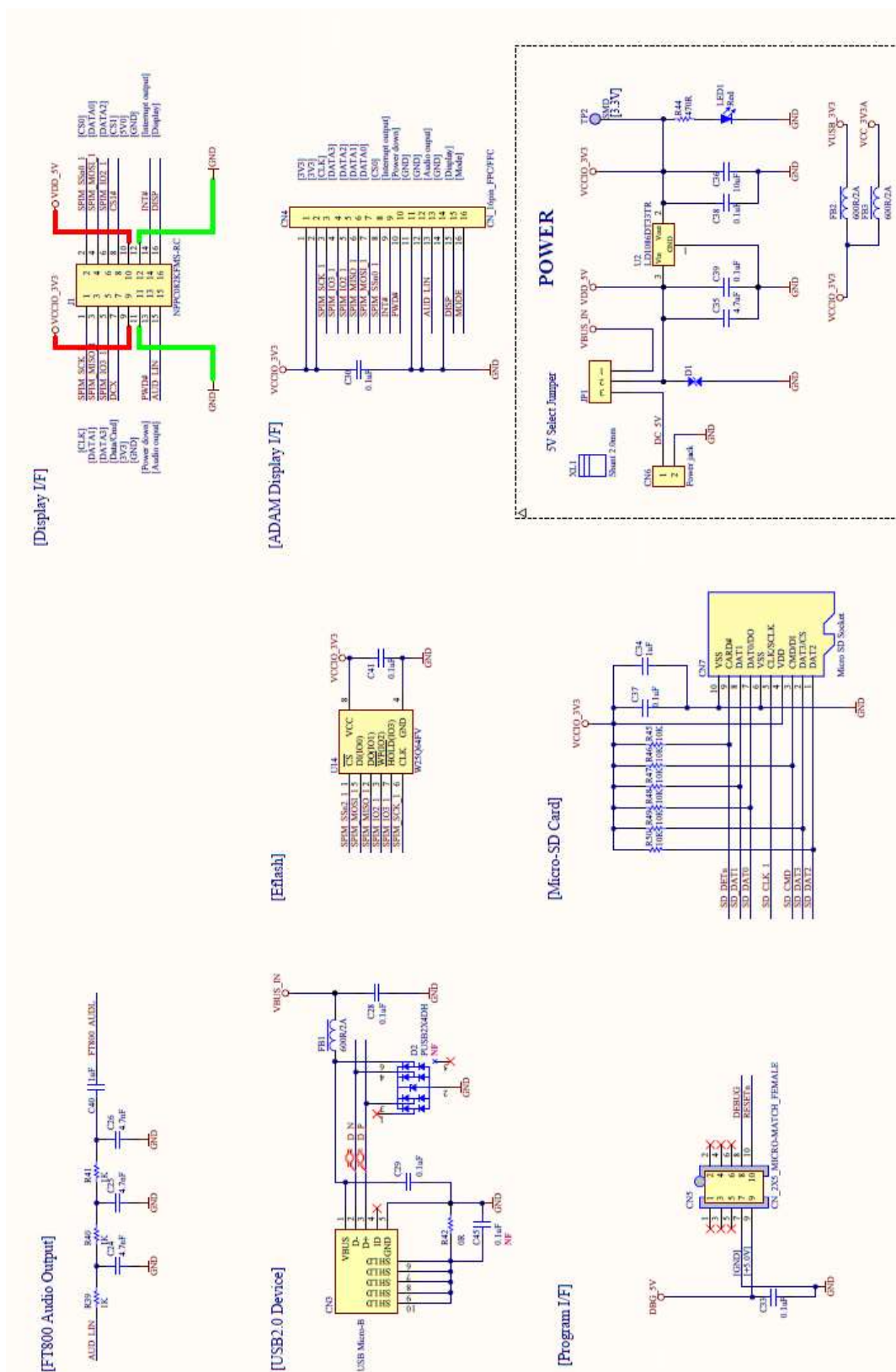


Figure 5-2 – MM930Lite Interfaces and Connectors

6 Mechanical Dimensions

6.1 MM930Lite PCB Dimensions

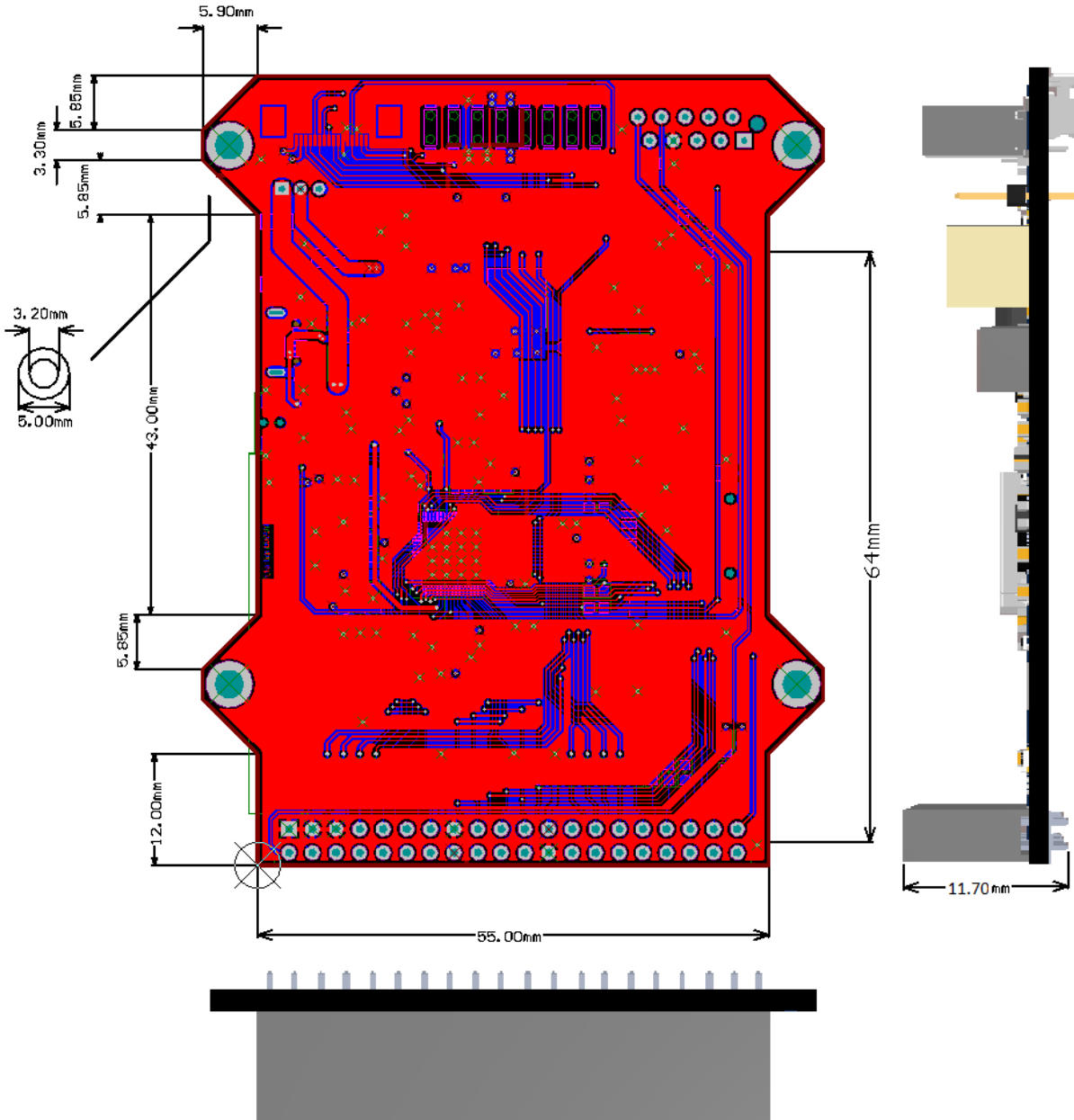


Figure 6-1 – MM930Lite PCB Dimensions

7 Contact Information

Head Quarters – Singapore

Bridgetek Pte Ltd
178 Paya Lebar Road, #07-03
Singapore 409030
Tel: +65 6547 4827
Fax: +65 6841 6071

E-mail (Sales) sales.apac@brtchip.com
E-mail (Support) support.apac@brtchip.com

Branch Office - Glasgow, United Kingdom

Bridgetek Pte. Ltd.
Unit 1, 2 Seaward Place, Centurion Business Park
Glasgow G41 1HH
United Kingdom
Tel: +44 (0) 141 429 2777
Fax: +44 (0) 141 429 2758

E-mail (Sales) sales.emea@brtchip.com
E-mail (Support) support.emea@brtchip.com

Branch Office – Taipei, Taiwan

Bridgetek Pte Ltd, Taiwan Branch
2 Floor, No. 516, Sec. 1, Nei Hu Road, Nei Hu District
Taipei 114
Taiwan, R.O.C.
Tel: +886 (2) 8797 5691
Fax: +886 (2) 8751 9737

E-mail (Sales) sales.apac@brtchip.com
E-mail (Support) support.apac@brtchip.com

Branch Office – Vietnam

Bridgetek VietNam Company Limited
Lutaco Tower Building, 5th Floor, 173A Nguyen Van
Troj,
Ward 11, Phu Nhuan District,
Ho Chi Minh City, Vietnam
Tel : 08 38453222
Fax : 08 38455222

E-mail (Sales) sales.apac@brtchip.com
E-mail (Support) support.apac@brtchip.com

Web Site

<http://brtchip.com/>

Distributor and Sales Representatives

Please visit the Sales Network page of the [Bridgetek Web site](#) for the contact details of our distributor(s) and sales representative(s) in your country.

System and equipment manufacturers and designers are responsible to ensure that their systems, and any Bridgetek Pte Ltd (BRT Chip) devices incorporated in their systems, meet all applicable safety, regulatory and system-level performance requirements. All application-related information in this document (including application descriptions, suggested Bridgetek devices and other materials) is provided for reference only. While Bridgetek has taken care to assure it is accurate, this information is subject to customer confirmation, and Bridgetek disclaims all liability for system designs and for any applications assistance provided by Bridgetek. Use of Bridgetek devices in life support and/or safety applications is entirely at the user's risk, and the user agrees to defend, indemnify and hold harmless Bridgetek from any and all damages, claims, suits or expense resulting from such use. This document is subject to change without notice. No freedom to use patents or other intellectual property rights is implied by the publication of this document. Neither the whole nor any part of the information contained in, or the product described in this document, may be adapted or reproduced in any material or electronic form without the prior written consent of the copyright holder. Bridgetek Pte Ltd, 178 Paya Lebar Road, #07-03, Singapore 409030. Singapore Registered Company Number: 201542387H.

Appendix A - References

Document References

FT93X webpage: <http://brtchip.com/product/>

FT93x datasheet: [FT930/FT931/FT932/FT933 Datasheet](#)

[BRT AN 010 FT93x User Manual](#)

UMFTPD2A program module datasheet: [DS UMFTPD2A](#)

ME810A-HV35R LCD display module document: [DS ME810A HV35R](#)

Acronyms and Abbreviations

Terms	Description
USB	Universal Serial Bus
QFN	Quad-Flat No-leads
FFC/FPC	Flexible Flat Cable/Flexible Printed Circuit
LCD	Liquid Crystal Display
DC	Direct Current
RAM	Random Access Memory
SD	Secure Digital
H/W	Hardware
LDO	Low Drop-Out
LED	Light-Emitting Diode
RTC	Real-Time Clock
I/O	Input/Output
I2C	Inter-Integrated Circuit
SPI	Serial Peripheral Interface
UART	Universal Asynchronous Receiver/Transmitter
PWM	Pulse Width Modulation
ADC	Analog-to-Digital Converter
DAC	Digital-to-Analog Converter

Appendix B - List of Figures and Tables

List of Figures

Figure 4-1 – MM930Lite Board Layout	4
Figure 4-2– Power supply	5
Figure 4-3– FT930 Microcontroller.....	6
Figure 4-4– Micro SD Connector	7
Figure 4-5– USB Connectors	8
Figure 4-6 – Programmer Interface	10
Figure 4-7– SPI Master Interface	11
Figure 4-8– External I/O Bus.....	15
Figure 5-1 – MM930Lite MCU and External I/O Bus	16
Figure 6-1 – MM930Lite PCB Dimensions	18

List of Tables

Table 2-1 – Ordering information.....	2
Table 4-1 – JP1 Pinout.....	5
Table 4-2 – CN5 Pinout.....	9
Table 4-3 – J1 Pinout	12
Table 4-4 – CN4 Pinout.....	13
Table 4-5 – CN1 External I/O Bus	15

Appendix C – Revision History

Document Title: MM930Lite Datasheet
Document Reference No.: BRT_000085
Clearance No.: BRT#069
Product Page: <http://brtchip.com/product/>
Document Feedback: [Send Feedback](#)

Revision	Changes	Date
Version 1.0	Initial Release	2017-06-08