

.060 (1.50) Shrouded Tip Plug



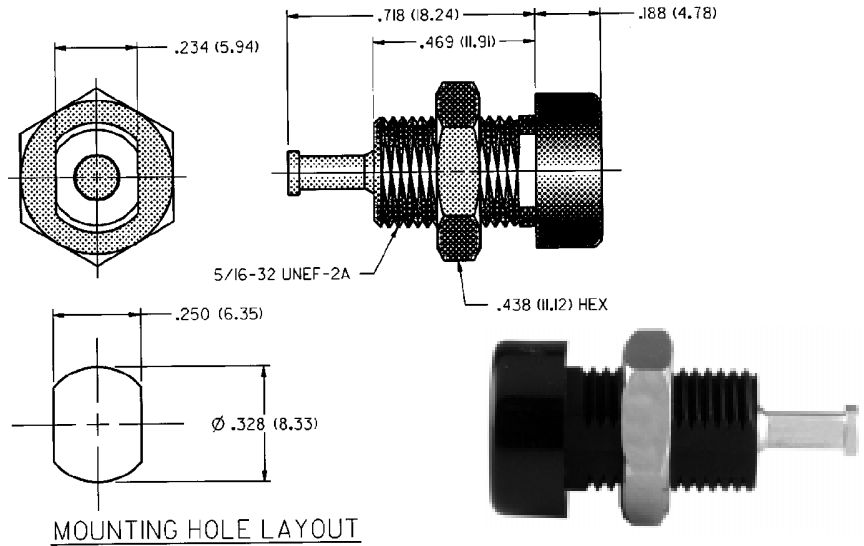
INCHES (MILLIMETERS)
CUSTOMER DRAWINGS AVAILABLE UPON REQUEST

SPECIFICATIONS

- Contact and Nut:** Brass per QQ-B-626D
- Finish:** Gold or silver
- Body:** Nylon 6/6 per ASTM D4066
- Hardware:** Nickel plated nut (unassembled)
- Body Thread Stripping Torque:** 6 in. lb. (7 kg.cm.)
- Panel Thickness:** Up to .343 (8.80)

RATINGS

- Current:** 7 amps
- Breakdown Voltage:** 3500 Vrms minimum
- Contact Resistance:** 0.010 ohms maximum



GOLD PLATING	
PART NO.	COLOR
105-1302-002	Red

For Standard Tip Jack: .060 (1.50) Diameter

FEATURES:

- Keyed mounting with double flats
- Shrouded
- Nylon UL approved for self extinguishing