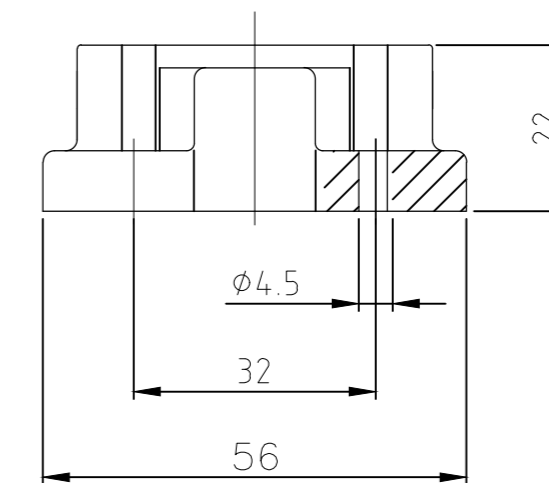
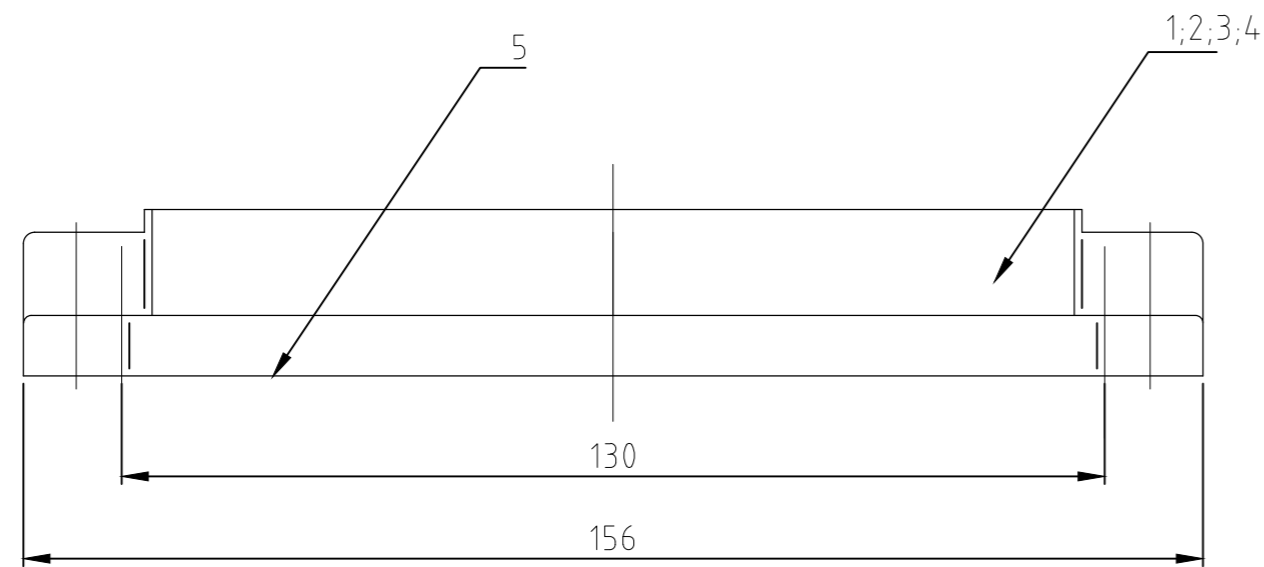
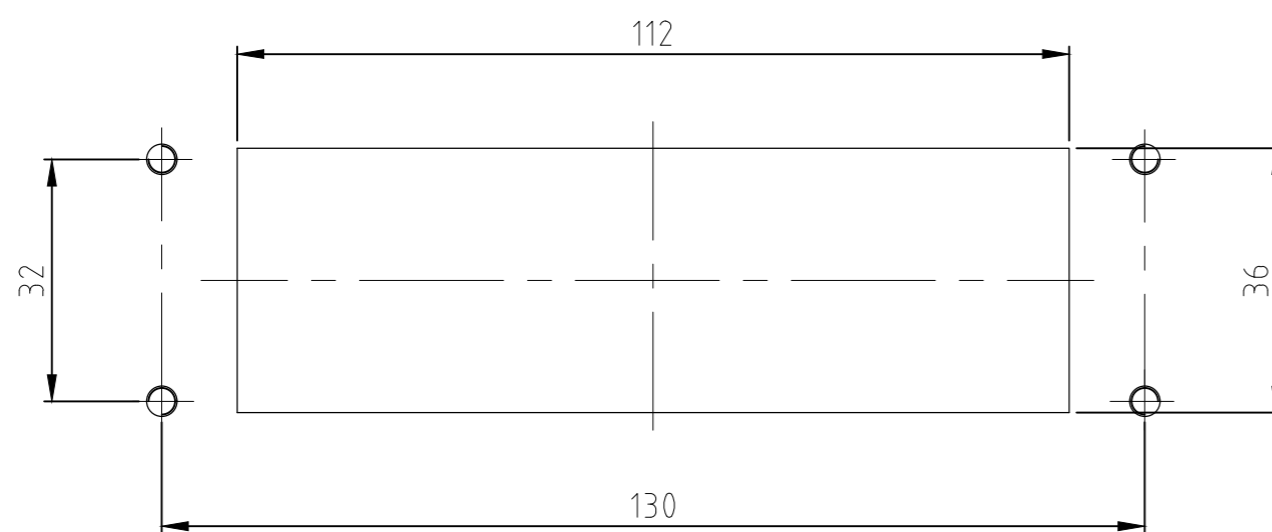


THIS DRAWING IS UNPUBLISHED. RELEASED FOR PUBLICATION
 © COPYRIGHT - TE Connectivity ALL RIGHTS RESERVED.

REVISIONS					
P	LTR	DESCRIPTION	DATE	DWN	APVD
	A6	REVISED PER ECR-17-014011	24JAN2018	NG	MKO



Panel Cut Out



Notes:

- ① Material: Housing: aluminium diecasting alloy
Seals: Neoprene conductive
- ② Surface: Varnish- grey
yellow chromium plated +
Varnish black
- ③ Varnish on the inside not necessarily

Bemerkungen:

- ① Material: Gehäuse: Alu-Druckguß-Legierung
Dichtungen: Neoprene leitfähig
- ② Oberfläche: Lackierung - grau
gelb chromatiert +
Lackierung schwarz
- ③ Lackierung im Gehäuseinnere ist nicht notwendig

QTY	DESCRIPTION / BENENNUNG	MATERIAL	SURFACE/OBERFLÄCHE	COLOR/FARBE	ITEM NO.	REMARKS / BEMERKUNGEN
1	O-Ring Bg8	Neoprene	-	black/schwarz	5	Conductive
1	Bulkhead housing EMV-K Bg8	Aluminium/Alu	yellow chromated	black/schwarz	4	
1	Bulkhead housing EMV Bg8	Aluminium/Alu	-	grey/grau	3	
1	Bulkhead housing EMV Bg8	Aluminium/Alu	-	unvarnished	2	
1	Bulkhead housing EMV Bg8	Aluminium/Alu	-	white aluminum	1	

EMV.24/64-AG	EMV-K.24/64-AG	EMV.24/64-AG	EMV.24/64-AG	EMV.24/64-AG	EMV.24/64-AG	ORDERING TEXT/BESTELLTEXT	THIS DRAWING IS A CONTROLLED DOCUMENT.	DWN 01.08.2000 Schneider	 TE Connectivity Surface mounted housing bottom entry EMV Anbaugehäuse EMV.24/64-AG	SIZE	CAGE CODE	DRAWING NO	RESTRICTED TO
							DIMENSIONS: mm	CHK 01.08.2000 Schweiger		A2	00779	C=1102760	-
							TOLERANCES UNLESS OTHERWISE SPECIFIED: 0 PLC ± - 1 PLC ± - 2 PLC ± - 3 PLC ± - 4 PLC ± - ANGLES ± -	APVD -		WEIGHT	SCALE	SHEET	REV
							MATERIAL ①	FINISH ②		CUSTOMER DRAWING	1:1	1 of 1	A6