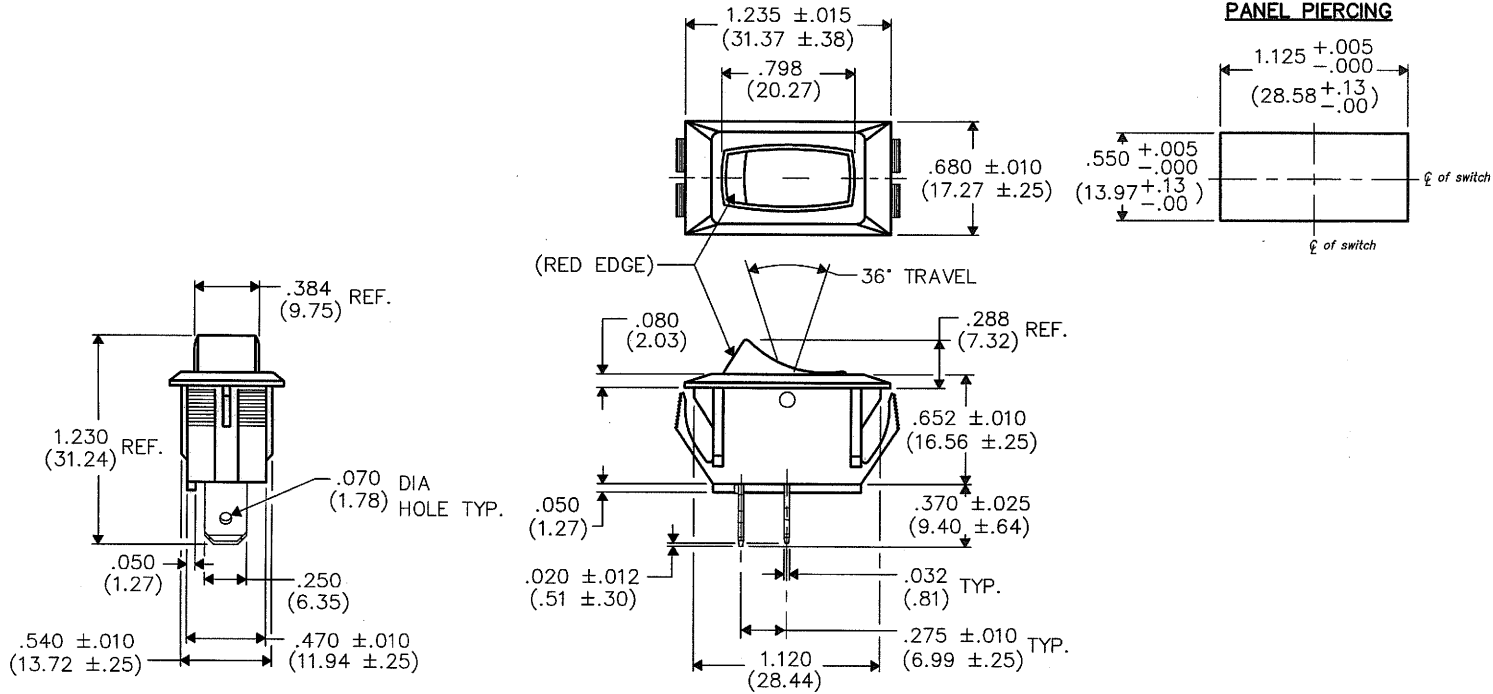


DIMENSIONS IN INCHES (MILLIMETERS)
DO NOT SCALE DRAWING

Dwg. No.

NAA-111-BI31-00

E
D
C
B
A



1 2 3 4 5 6 7 8 9 10

FORM-B4 REVISIONS RELEASED: 8-13-2008 DCW AUG 15 2008	CW INDUSTRIES Southampton, Pa. 18966 TOLERANCES UNLESS OTHERWISE SPECIFIED 2 Place Decimal ±.010 METRIC 3 Place Decimal ±.005 1 Place Dec. ±.25mm Angles ±1° 2 Place Dec. ±.13mm		Title: INDICON UNIBODY SWITCH ASSEMBLY 1.125" x .550" PANEL
	Made for: CW IND.		Division: SWTCH
	Drawn by: DGW 8-13-2008		Dwg. No. NAA-111-BI31-00
	Checked by: G. Guld 8-14-08 Approval: G. Guld 8-14-08		

MASTER