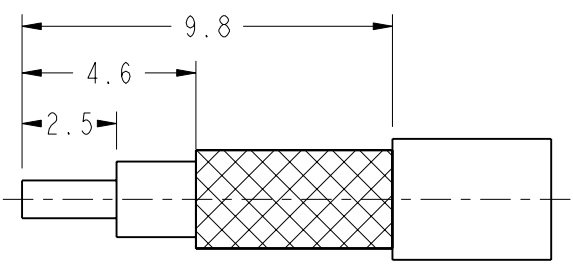


NOTES:

1. MATERIALS AND FINISHES(PLATING THICKNESS IN MICRO-INCHES):
 BODY - BERYLLIUM COPPER, WHITE BRONZE PLATING (COPPER-TIN-ZINC)
 CONTACT - BERYLLIUM COPPER, GOLD PLATING
 INSULATOR - PTFE, NATURAL
 FERRULE - COPPER,WHITE BRONZE PLATING (COPPER-TIN-ZINC)
2. ELECTRICAL:
 A. IMPEDANCE: 50 OHM
 B. FREQUENCY RANGE: DC 0- 6 GHz
 C. VSWR(RETURN LOSS): 1.3 MAX.
 D. DIELECTRIC WITHSTANDING VOLTAGE: 1000 VRMS, MIN.
3. MECHANICAL:
 A. DURABILITY: 500 CYCLES MIN.
 B. TEMPERATURE RANGE: -40°C TO +155°C
4. CRIMPED FERRULE
 HEX CRIMP SIZE .128"
5. CRIMPED CONTACT PIN
 SQ CRIMP SIZE 0.7(mm)
 OR SOLDER

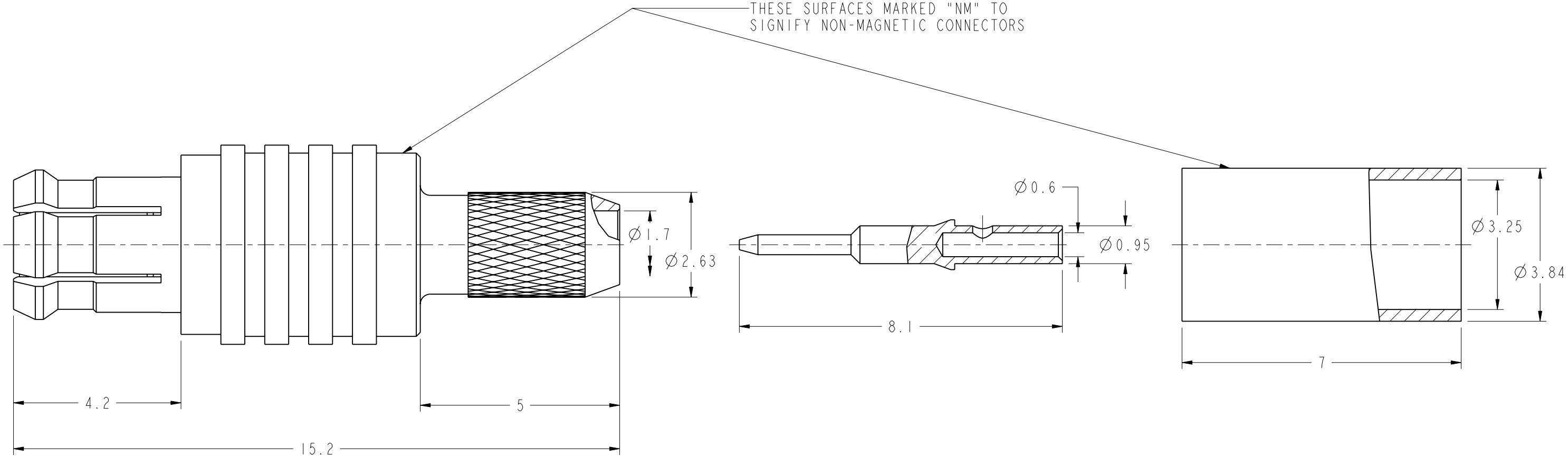
THIRD ANGLE PROJ.

REVISIONS				
REV	DESCRIPTION	DATE	ECO	APPR
A	RELEASE TO MFG.	8/8/06	46108	CISSY
B	SEE SHEET 1	01-Jul-10	48178	SH



RECOMMENDED CABLE STRIPPING DIM'S

THESE SURFACES MARKED "NM" TO SIGNIFY NON-MAGNETIC CONNECTORS



CUSTOMER OUTLINE DRAWING
 ALL OTHER SHEETS ARE FOR INTERNAL USE ONLY

UNLESS OTHERWISE SPECIFIED, DIMENSIONS ARE IN METRIC AND TOLERANCES ARE: <0.5mm ±0.05mm 0.5 - 6mm ±0.1mm 6 - 30mm ±0.2mm 30 - 120mm ±0.3mm ANGLES ±1°	MATERIAL	DRAWN S.LI	DATE 29-Jun-10	TITLE MCX CRIMP PLUG NON MAGNETIC (FOR RG-174/U 188A/U, 316/U)		Amphenol RF Danbury CT USA, Tainan, Taiwan, Shenzhen, China www.amphenolrf.com	
	REFERENCE AND CONFIGURATION LEVEL:	ENGINEER G.WANG	DATE 08-Aug-06				
	FINISH	APPROVED S.HSIEH	DATE 29-Jun-10	ITEM NO. 919-NM101P-51S			
		CAD FILE I:\MCX\919-NM101P-51S	SCALE: 10.0:1.0	SHEET 2 OF 2	REV B	PART NO.919-NM101P-51S	

NOTICE - These drawings, specifications, or other data (1) are, and remain the property of Amphenol corp. (2) must be returned upon request; and (3) are confidential and not to be disclosed to any person other than those to whom they are given by Amphenol Corp. the furnishing of these drawings, specifications, or other data by Amphenol Corp., or to any other person to anyone for any purpose is not to be regarded by implication or otherwise in any manner licensing, granting rights to permitting such holder or any other sperson to manufacture, use or sell any product, process or design, patented or otherwise, that may in any way be related to or disclosed by said drawings, specifications, or other data.