


HC-D 25-TFL-72/M1PG16G

Order No.: 1772447

<http://eshop.phoenixcontact.de/phoenix/treeViewClick.do?UID=1772447>

Sleeve housing, for single locking latch, height 72 mm, with screw connection, 1x Pg16, straight cable entry

Commercial data

| | |
|--------------------------|---|
| GTIN (EAN) |  4 017918 037116 |
| sales group | D011 |
| Pack | 10 pcs. |
| Customs tariff | 85389099 |
| Catalog page information | Page 512 (PC-2009) |

Product notes

WEEE/RoHS-compliant since:
03/01/2006



<http://www.download.phoenixcontact.com>
Please note that the data given here has been taken from the online catalog. For comprehensive information and data, please refer to the user documentation. The General Terms and Conditions of Use apply to Internet downloads.

Technical data**General data**

| | |
|--------|---------------------------------|
| Note | For contact inserts HC-D25, A16 |
| Design | D25 |
| Height | 72 mm |
| Width | 36 mm |
| Length | 79.5 mm |

| | |
|---------------------------------|--------------------------|
| Housing type | Sleeve housings |
| Locking type | for single locking latch |
| Cable exit | Straight |
| Type of the screw connection | 1x Pg16 |
| Pg screw connection | With |
| Wrench size, union nut | 22 mm |
| External cable diameter | 7.5 mm ... 15 mm |
| Degree of protection | IP65 |
| Ambient temperature (operation) | -40 °C ... 125 °C |
| Housing material | Aluminum, die-cast |
| Housing surface material | Powder-coated, gray |
| Seal material | NBR |
| Cable gland material | Nickel-plated brass |
| Cable seal material | NBR |

Certificates / Approvals

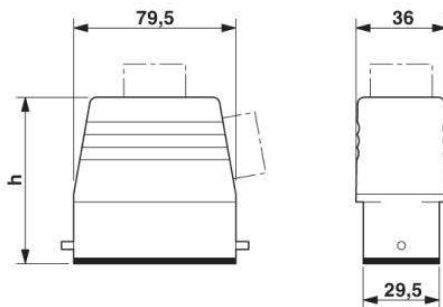


Certification

GOST

Diagrams/Drawings

Dimensioned drawing



Address

PHOENIX CONTACT Inc., USA
586 Fulling Mill Road
Middletown, PA 17057, USA
Phone (800) 888-7388
Fax (717) 944-1625
<http://www.phoenixcon.com>



© 2010 Phoenix Contact
Technical modifications reserved;