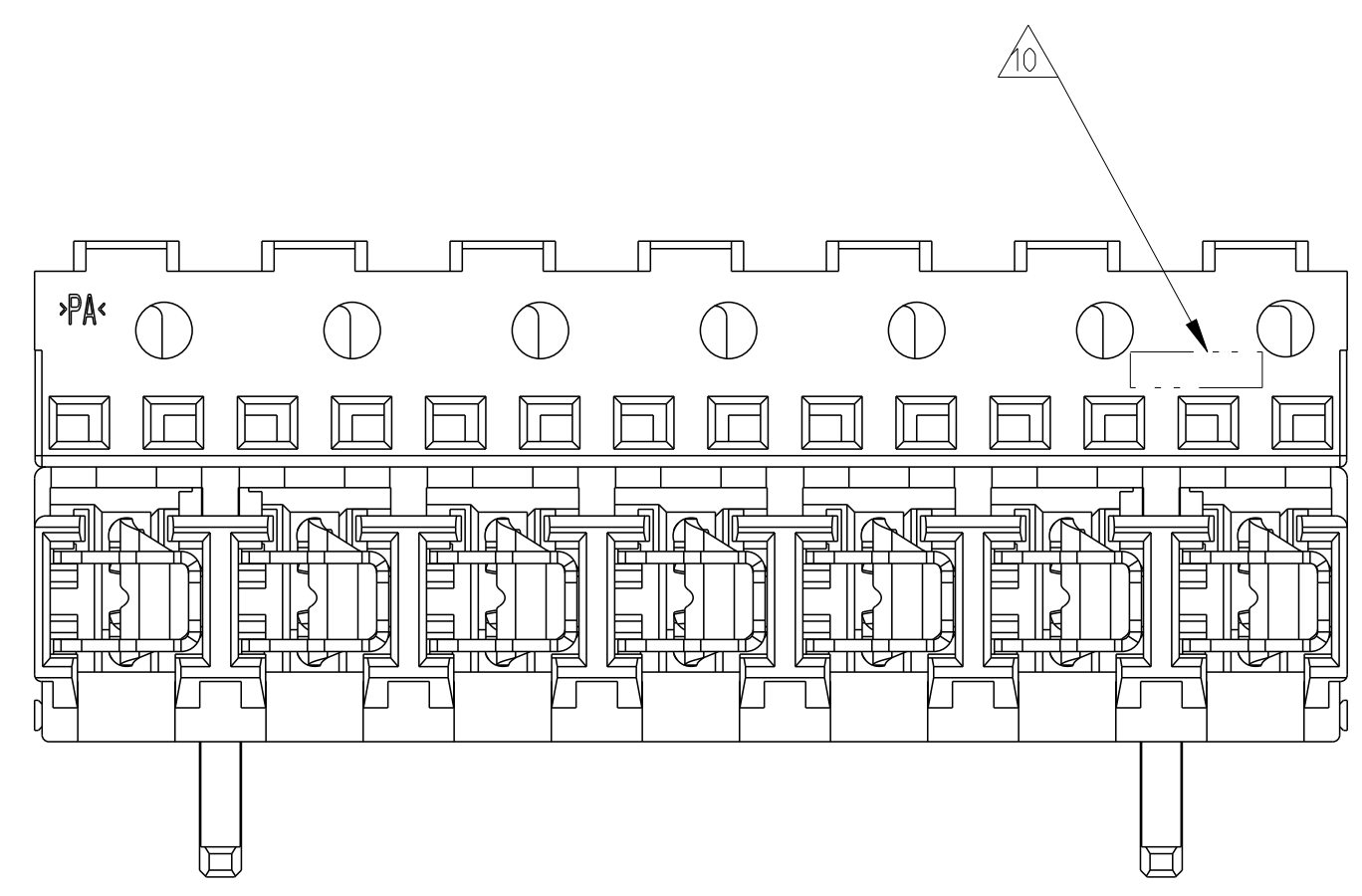
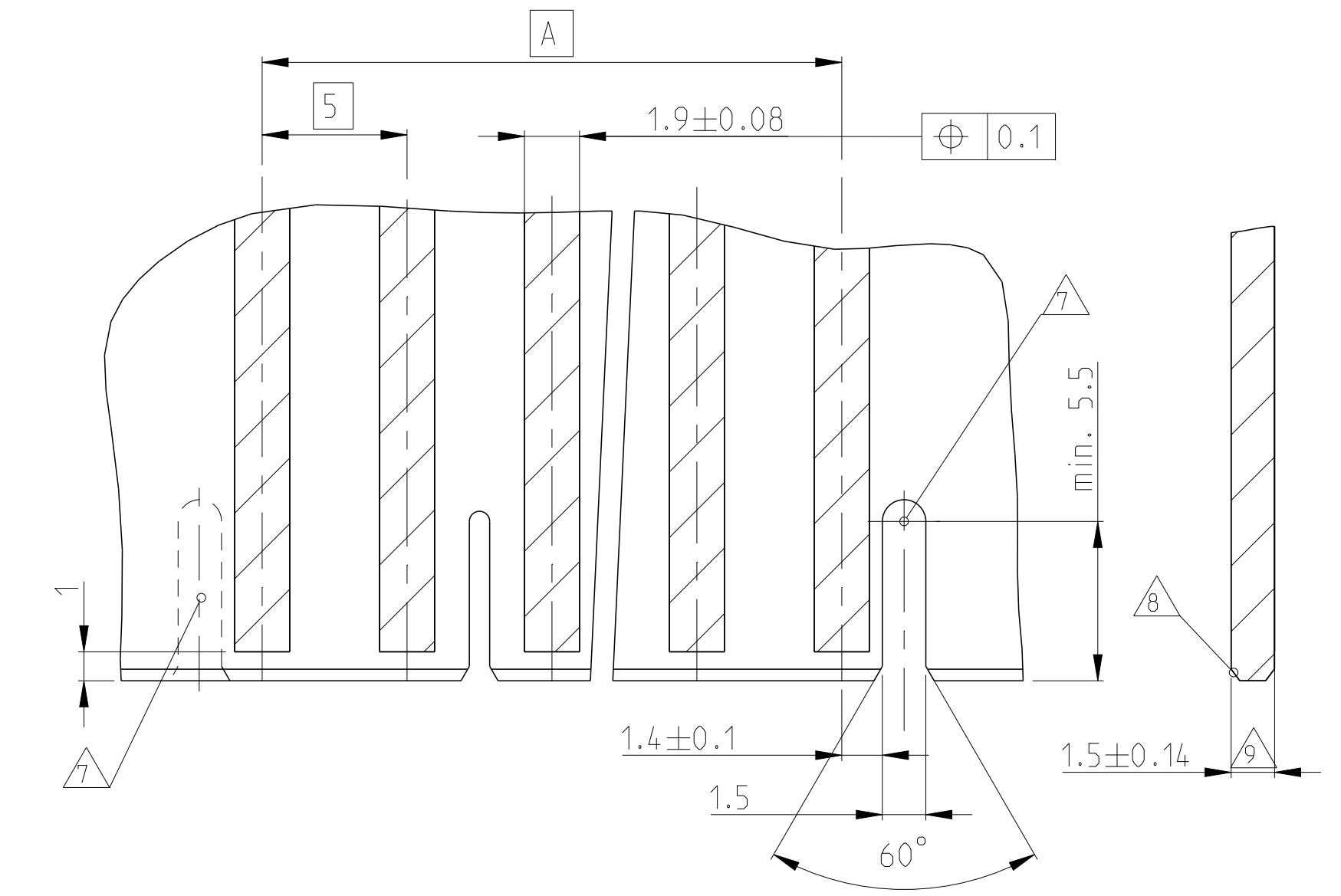
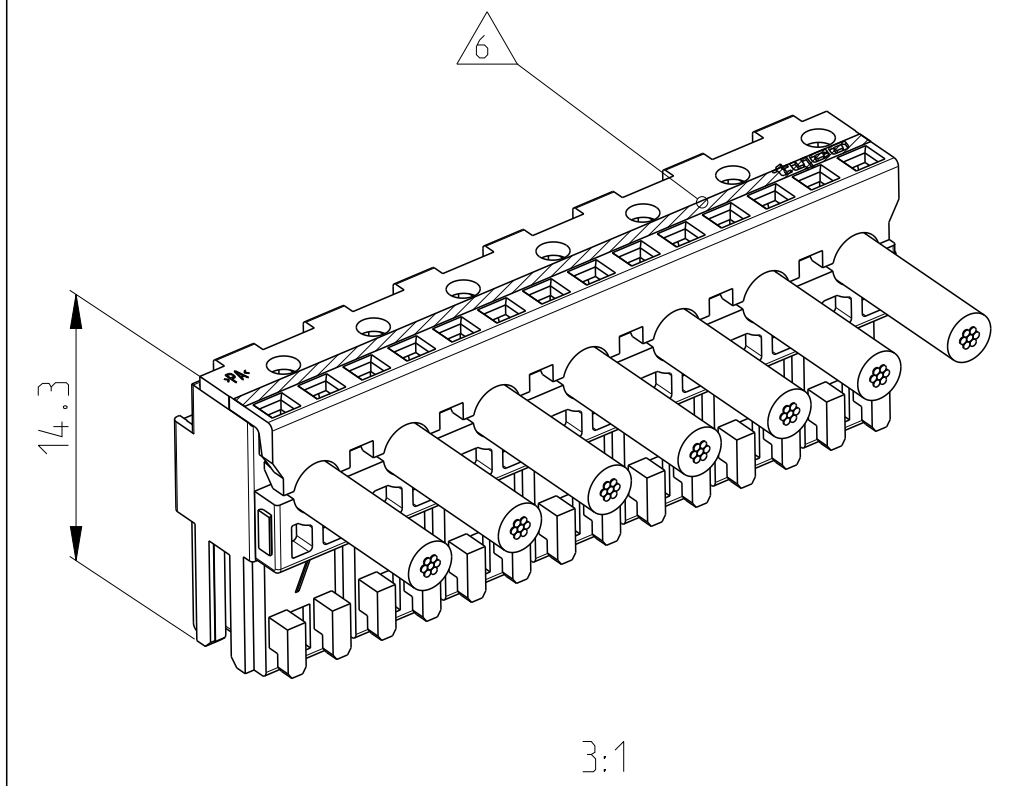
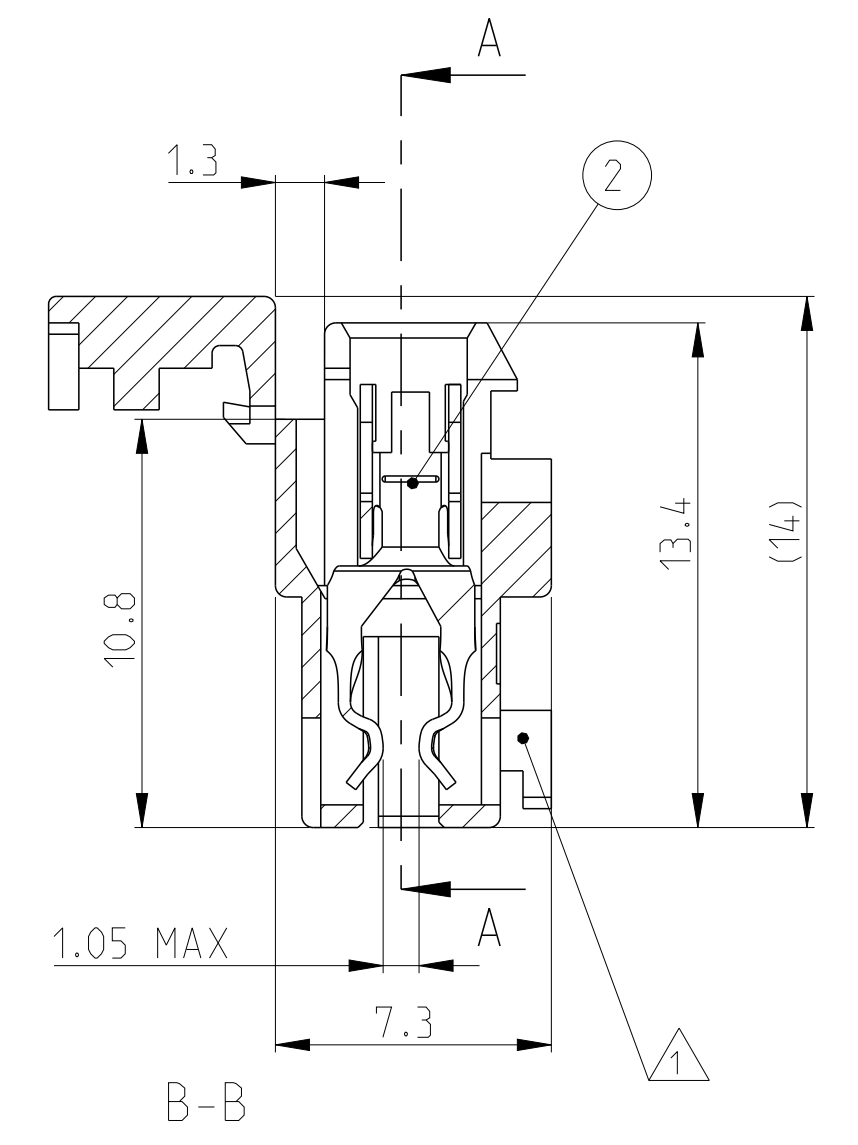
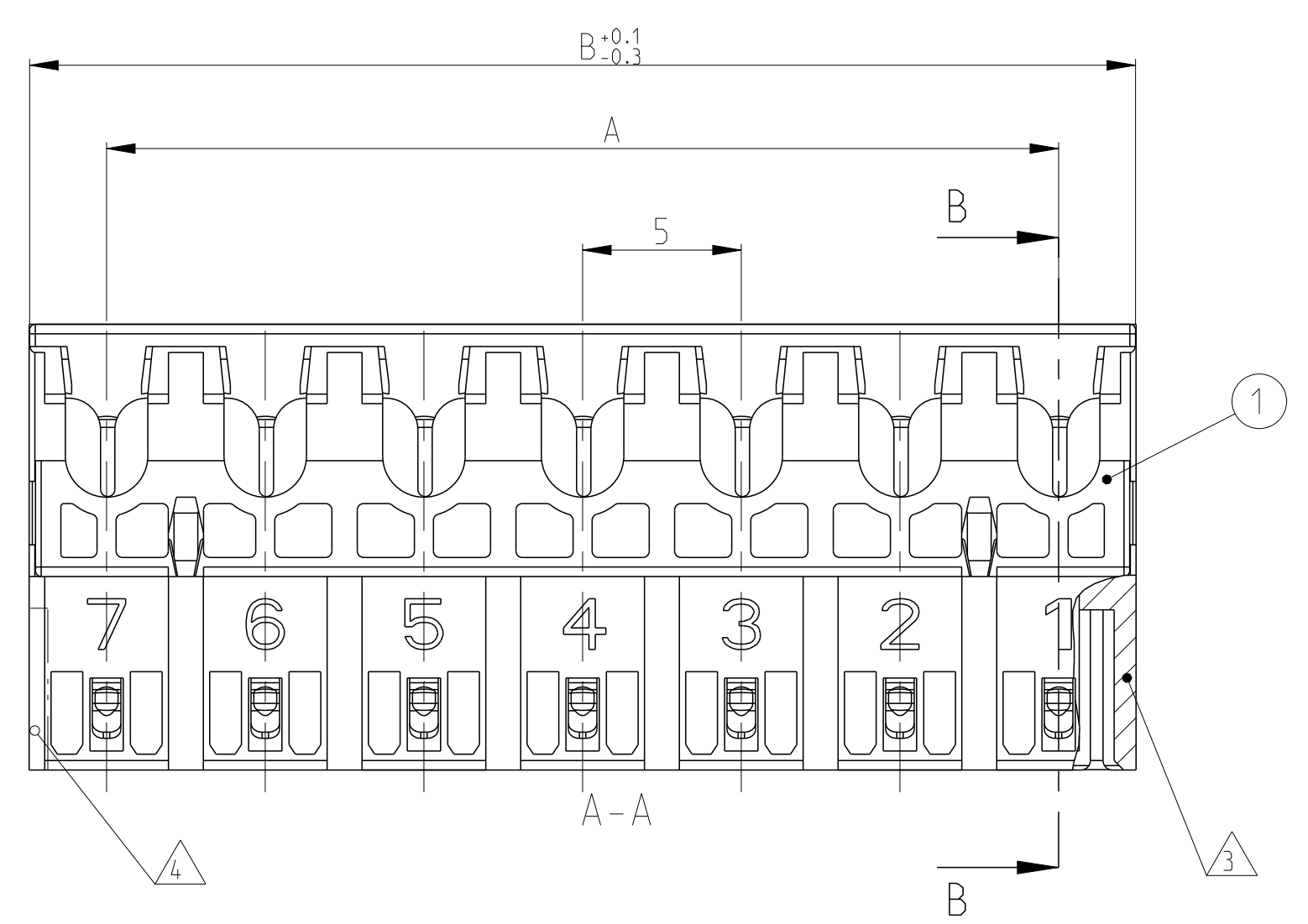
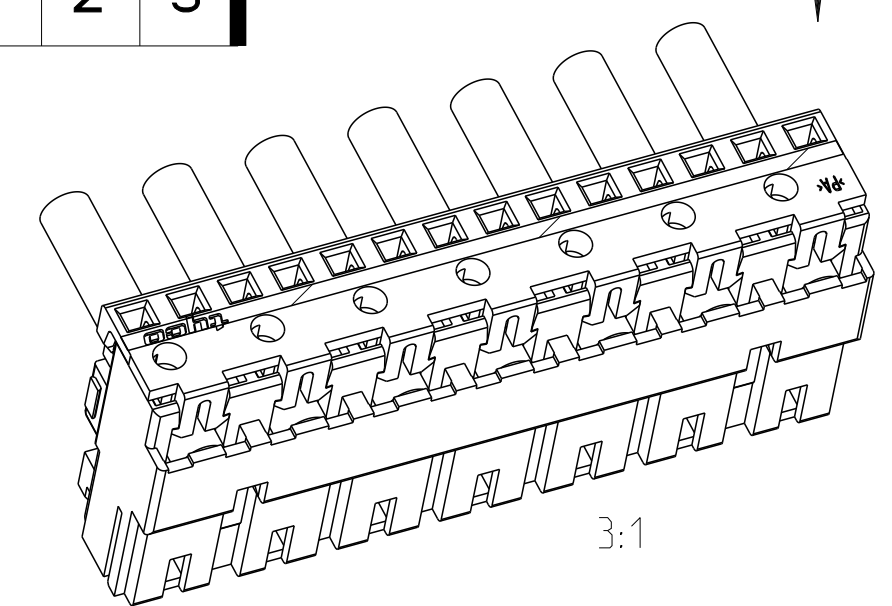
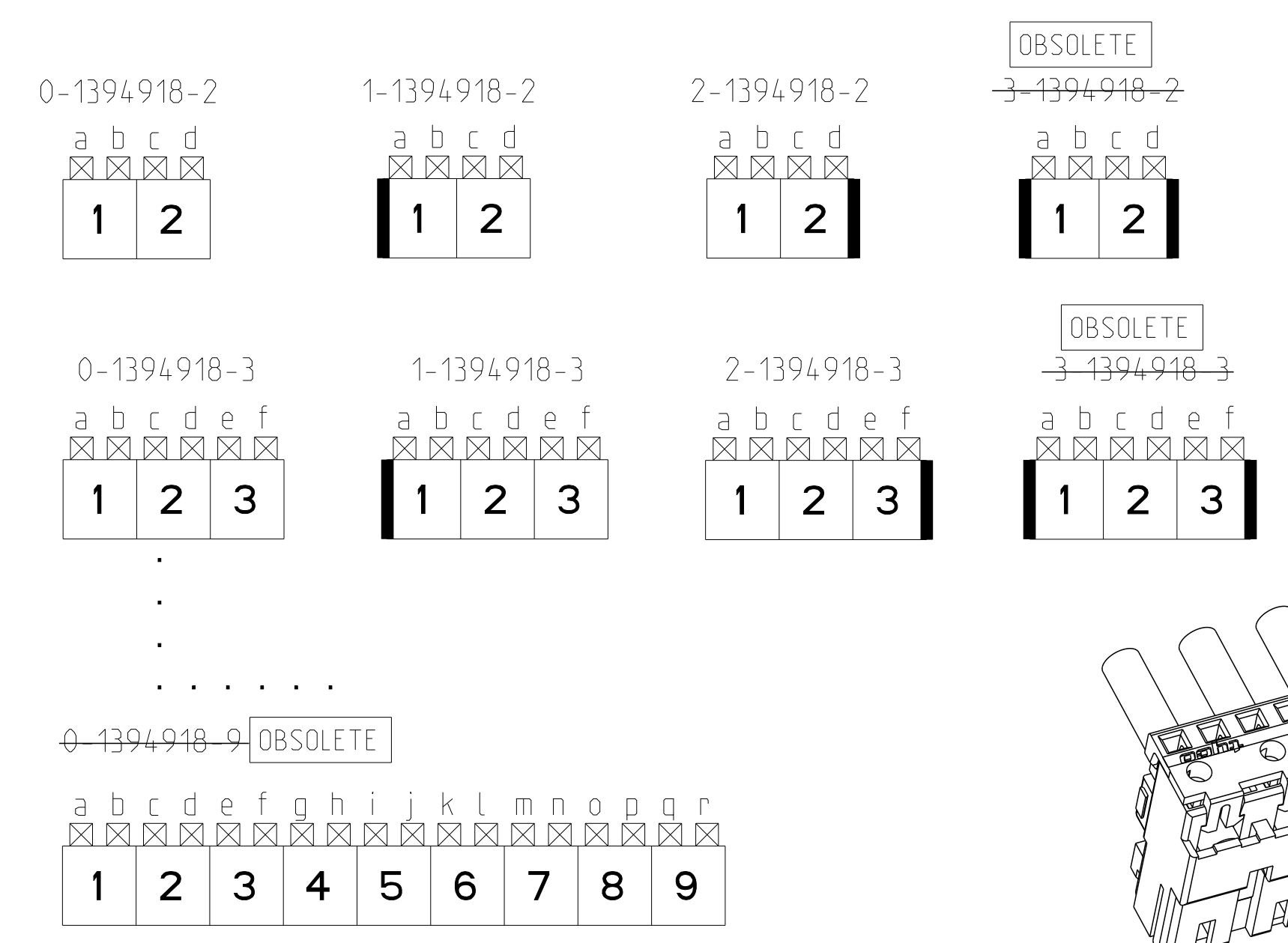


LOC	DIST	REVISIONS			
P	LTN	DESCRIPTION	DATE	DMN	APVD
F2	ECR-17-006237		03MAY2017	IZ	RR
F3	ECR-17-006579		26MAY2017	IZ	RR
F4	ECR-19-014180		10OCT2019	MP	FL
F5	REVISED PER ECR-20-011072		10AUG2020	BDA	W W

PCB LAYOUT KEYED / CONNECTED ONLY WITH ADDITIONAL FRAME  
Leiterplattenanschluss kodiert / nur in Verbindung mit zusätzlichem Rahmen



KEYING PLAN (VIEW Z)  
Kodierschema (Ansicht Z)



- 12 PART NOT YET RELEASED FOR PRODUCTION
- 11 OBSOLETE
- 10 TE LOGO
- 9 INCLUSIVE COPPER CLADDING:  
Inklusive Kupferkaschierung:
- 8 PCB PREFERABLY CHAMFERED.  
Leiterplatte vorzugsweise angefast.
- 7 SLOT FOR SIDE KEYING, 4, 4.  
Schlitz fuer Seitenkodierung, 4, 4.
- 6 COLOUR MARKING ON TOP OF HOUSING OPTIONAL ON TERMINATION MACHINE  
Farbmarkierung auf Gehäuseoberseite optional an Verarbeitungsmaschine
- 5 MATING PART: PCB (WITH FRAMES ACC. RAST 2.5 E.G. PN 964 575/576)  
TABHEADER PN 1 534 787/788  
Passender Gegenstecker: Leiterplatten (mit Rahmen nach RAST 2.5 z.B. 964 575/576)  
Tabwannen Nr. 1 534 787/788
- 4 SIDE KEYING, ON LAST CAVITY  
Seitenkodierung, an letzter Kammer
- 3 SIDE KEYING, ON CAVITY 1  
Seitenkodierung, an Kammer 1
- 2 WIRE RANGE: 0.35-0.75 mm<sup>2</sup>  
Drahtgrößenbereich: 0.35-0.75 mm<sup>2</sup>
- 1 KEYING RIBS; CUTTING WITH TERMINATION MACHINE POSSIBLE  
Kodierrippe; Schneiden auf der Verarbeitungsmaschine moeglich

POS.	DIM A	DIM B	KEYING	KEYING	TE P/N
9	40	44.9	-	-	0-1394918-9 <sup>11</sup>
8	35	39.9	-	-	0-1394918-8 <sup>11</sup>
7	30	34.9	-	-	0-1394918-7
6	25	29.9	-	-	0-1394918-6
5	20	24.9	-	-	0-1394918-5
4	15	19.9	-	-	0-1394918-4
3	10	14.9	X	X	3-1394918-3 <sup>11</sup>
3	10	14.9	X	-	2-1394918-3
3	10	14.9	-	X	1-1394918-3
3	10	14.9	-	-	0-1394918-3
2	5	9.9	X	X	3-1394918-2 <sup>11</sup>
2	5	9.9	X	-	2-1394918-2
2	5	9.9	-	X	1-1394918-2
2	5	9.9	-	-	0-1394918-2

2	SEE TABLE	CONTACT	CuNiSi	TINNED
1		HOUSING	PA 6.6 UL94 V-0	GREY
POS.	TE P/N	DESCRIPTION	MATERIAL	COLOUR/FINISH

THIS DRAWING IS A CONTROLLED DOCUMENT. DIMENSIONS: mm. TOLERANCES UNLESS OTHERWISE SPECIFIED: 0 PLC ±0.2, 1 PLC ±0.2, 2 PLC ±0.2, 3 PLC ±0.2, 4 PLC ±, ANGLES ±°. MATERIAL: -. FINISH: -. WEIGHT: -. CUSTOMER DRAWING.

OWN: A. Weber, 10MAY2001. CHK: B. Schnaubelt, 10MAY2001. APVD: T. Klenner, 10MAY2001.

**STE** TE Connectivity

NAME: AMP DUOPLUG POWER FEMALE CONNECTOR (STANDARD VERSION)

PRODUCT SPEC: 108-18780. APPLICATION SPEC: 114-18458.

SIZE: A1. CAGE CODE: 00779. DRAWING NO: C=1394918. RESTRICTED TO: REV F5.