

LOC AF DIST 50

P F

ZONE

LTR

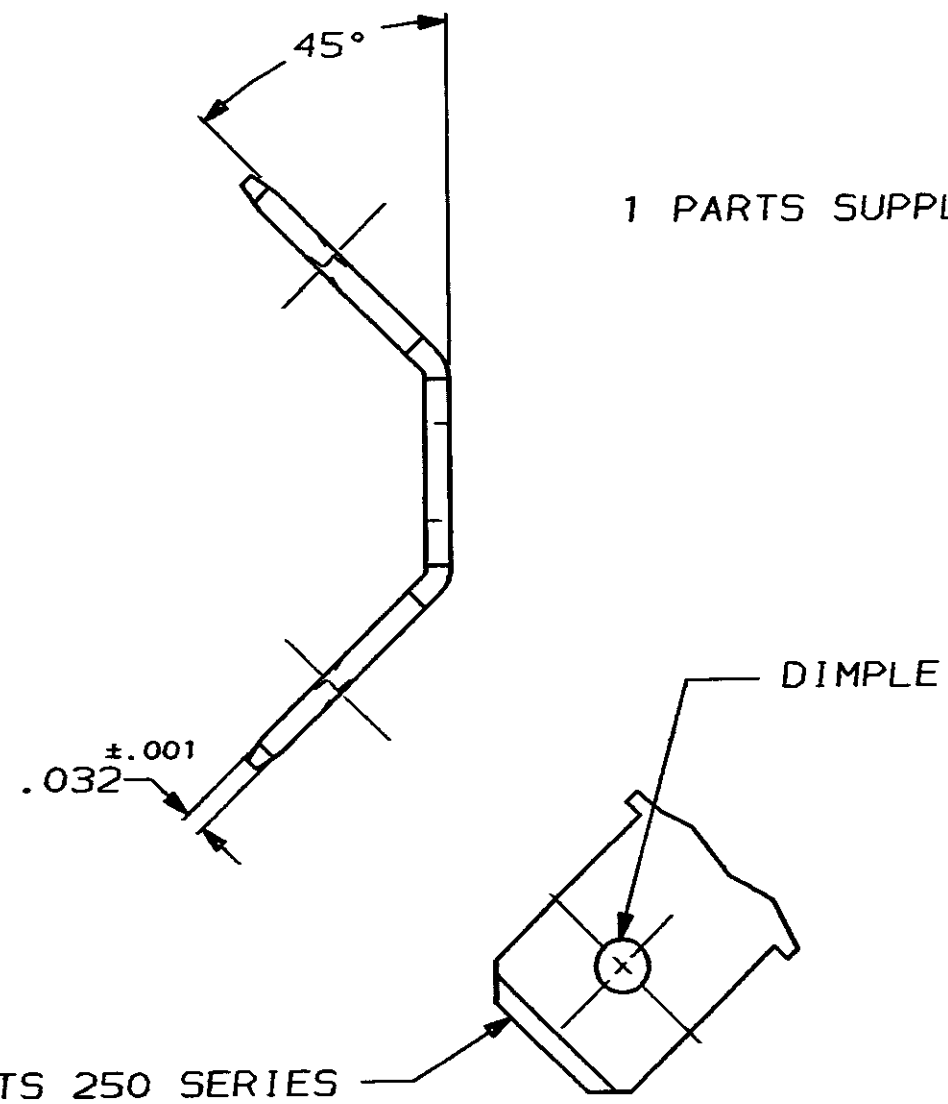
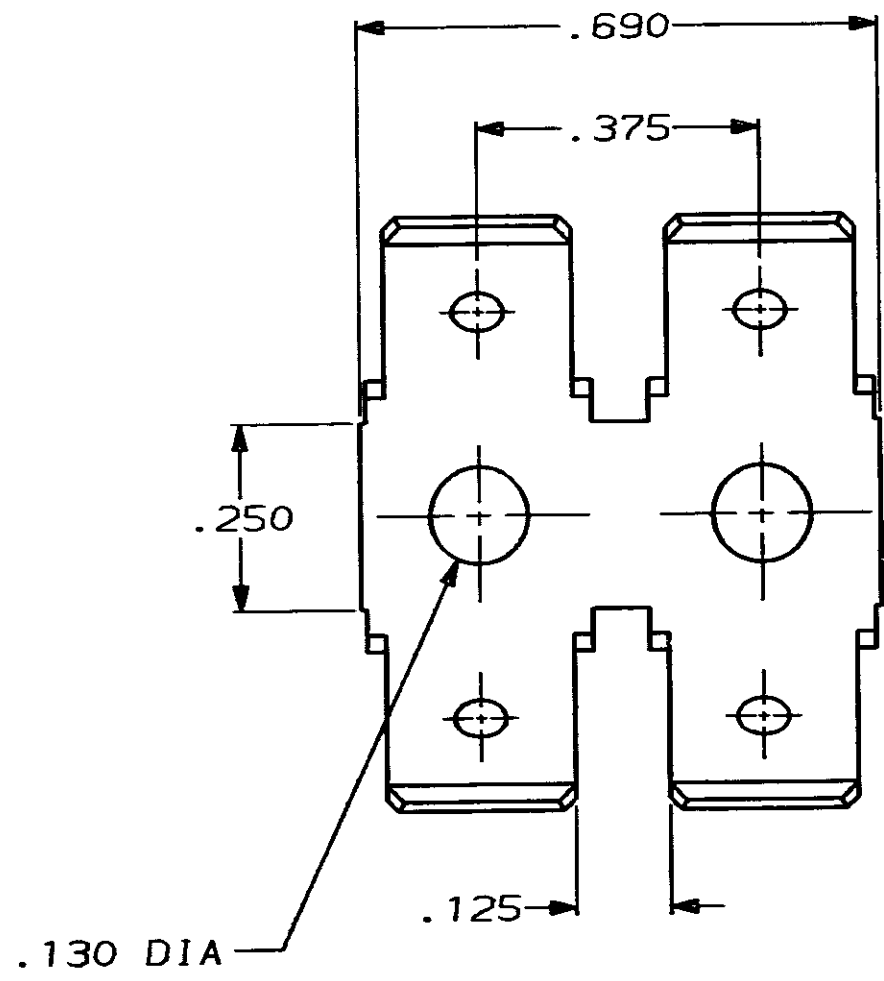
REVISIONS

DESCRIPTION DATE APPROVED

✓ V REDRAWN & SEPARATED FROM 41287 4/27/89

D  
C  
B  
A

D  
C  
B  
A



1 PARTS SUPPLIED IN PAIRS OF 2.

41478  
PART NO

UNLESS OTHERWISE SPECIFIED DIMENSIONS ARE IN MM TOLERANCES ON: 2 PL DEC ± - 3 PL DEC ± .010 ANGLES ± -		DR <i>JRR</i> 4/28/89	AMP INCORPORATED Harrisburg, Pa. 17105	
MATERIAL #2H BRASS		CHK <i>MSE</i> 5/1/89		
FINISH TIN		APPR <i>C. Myers</i> 5/3/89	SIZE <b>B</b>	FSCM NO 00779
		APPR <i>C. Myers</i> 5/3/89	DRAWING NO 41478	
		PRODUCT SPEC	SCALE 4:1	SHEET 1 OF 1
		APPLICATION SPEC		
		WEIGHT		

CUSTOMER DRAWING