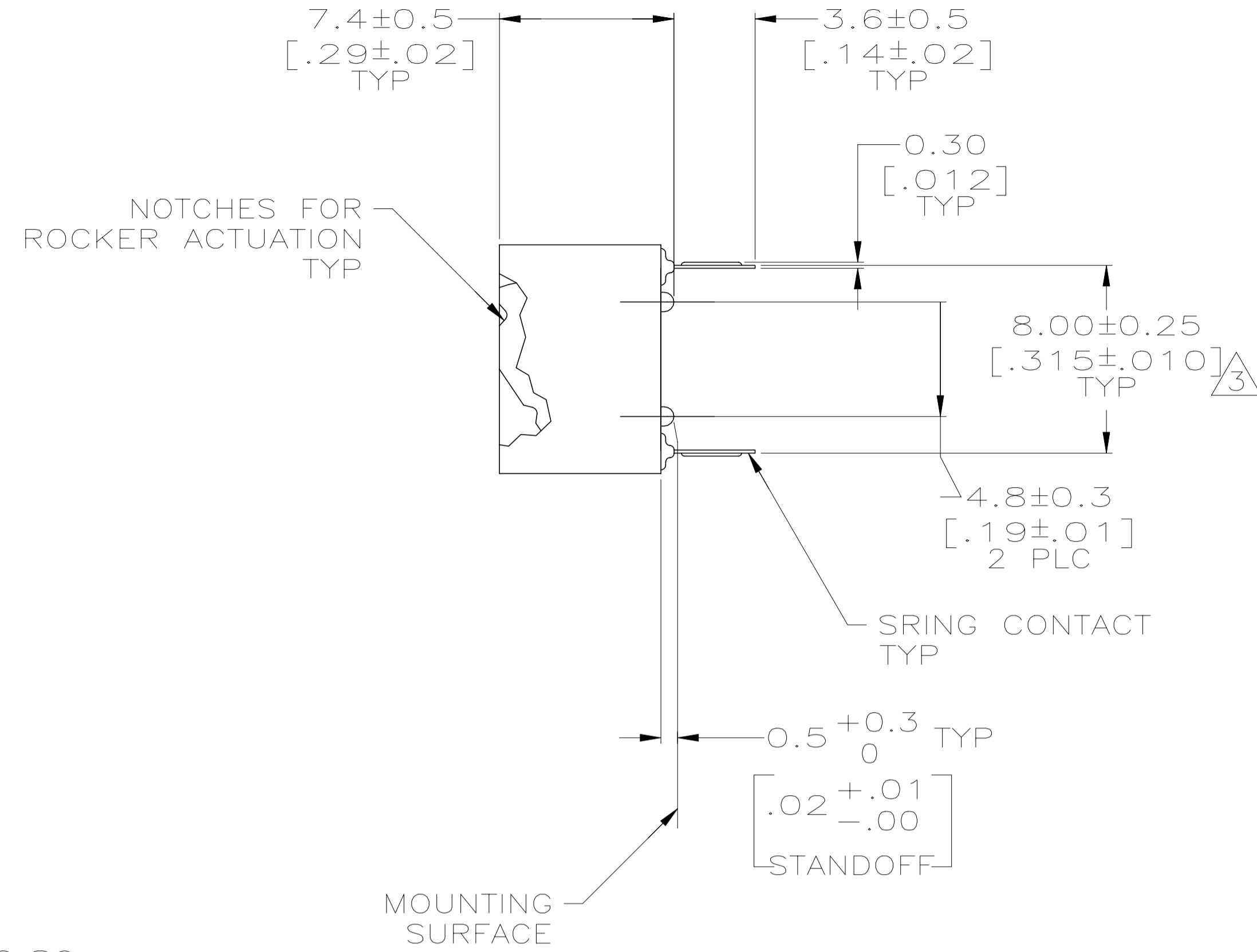
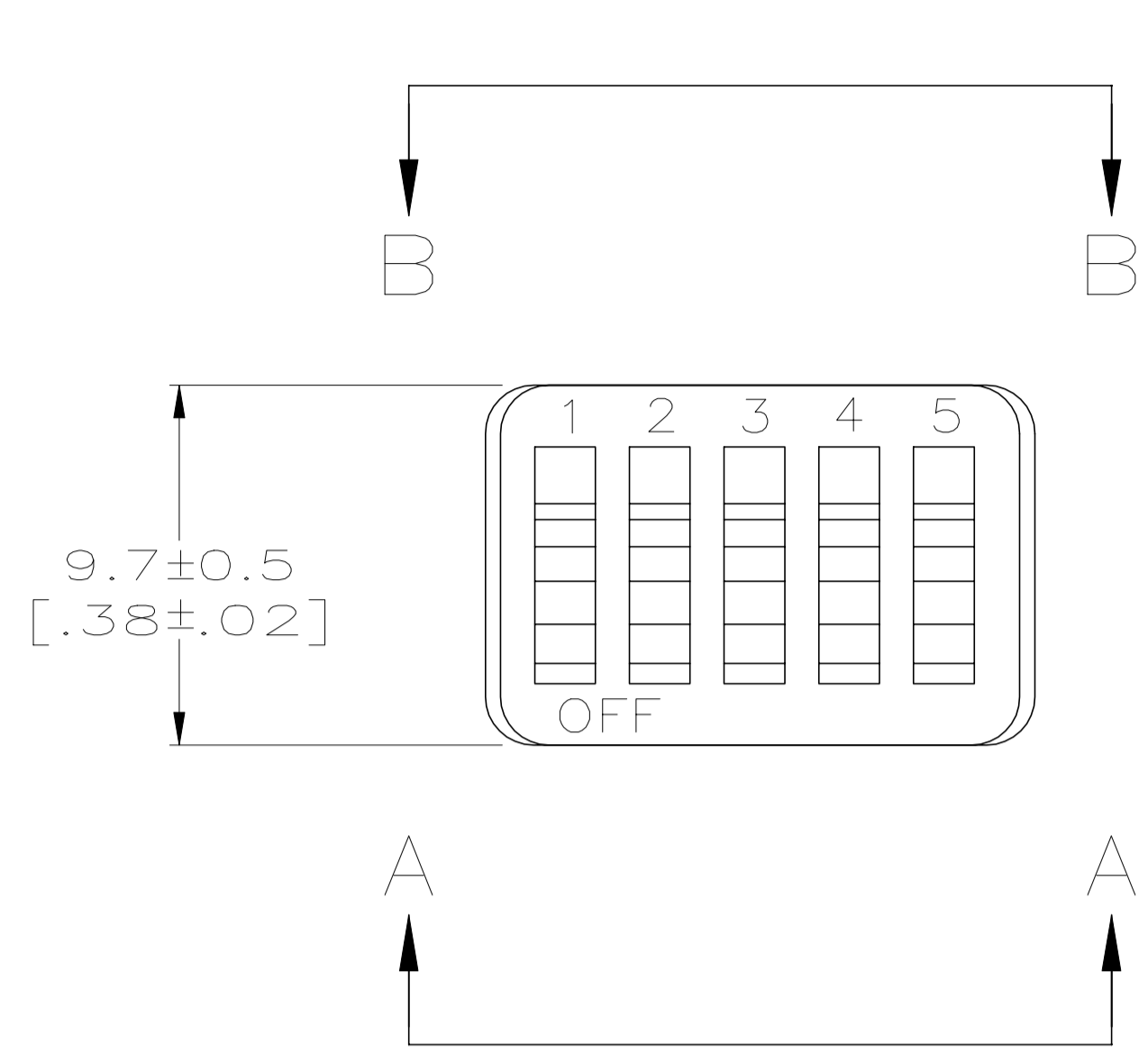
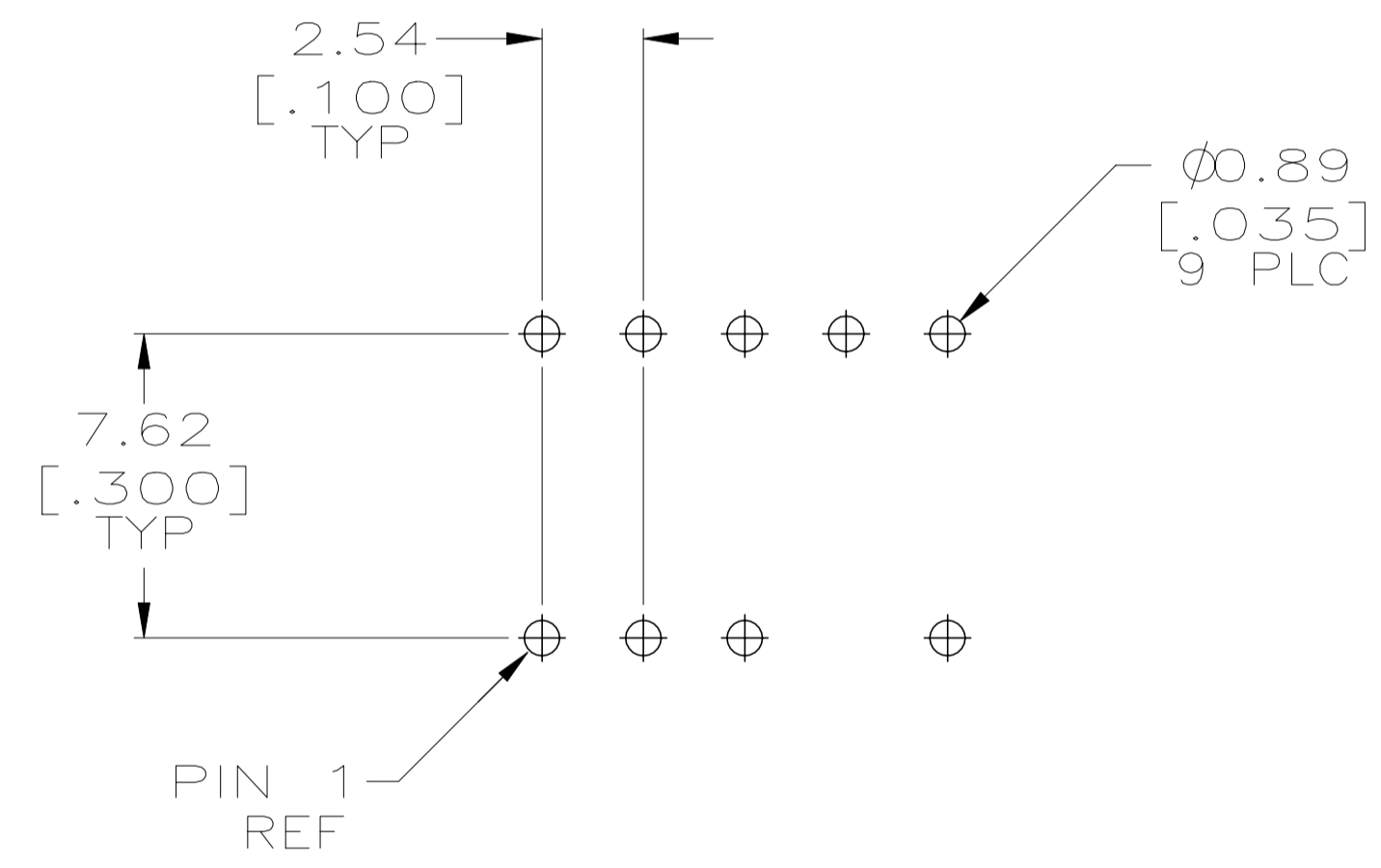


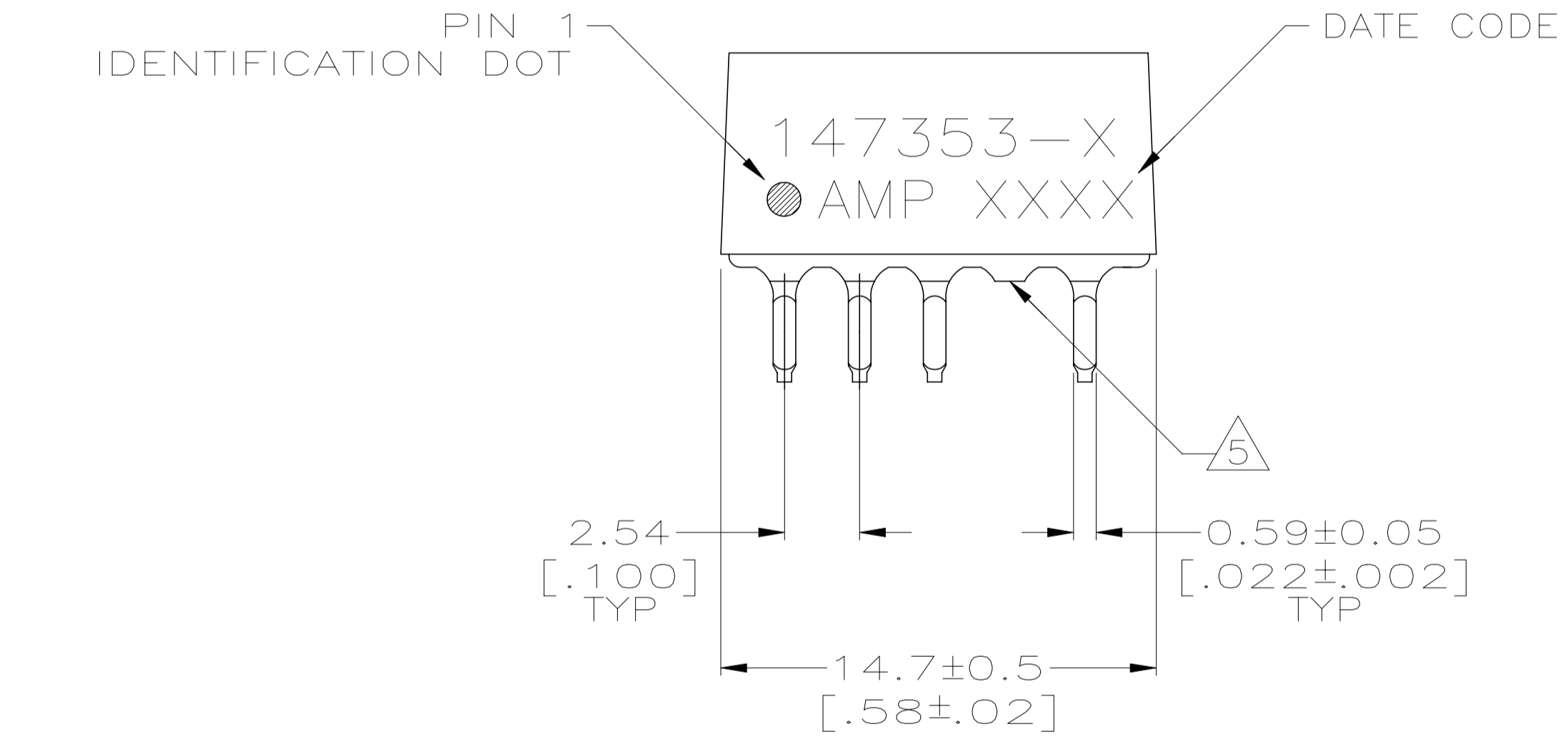
REVISIONS					
P	LTR	DESCRIPTION	DATE	DWN	APVD
B		ECO-20-004897	24AUG2020	SB	JB



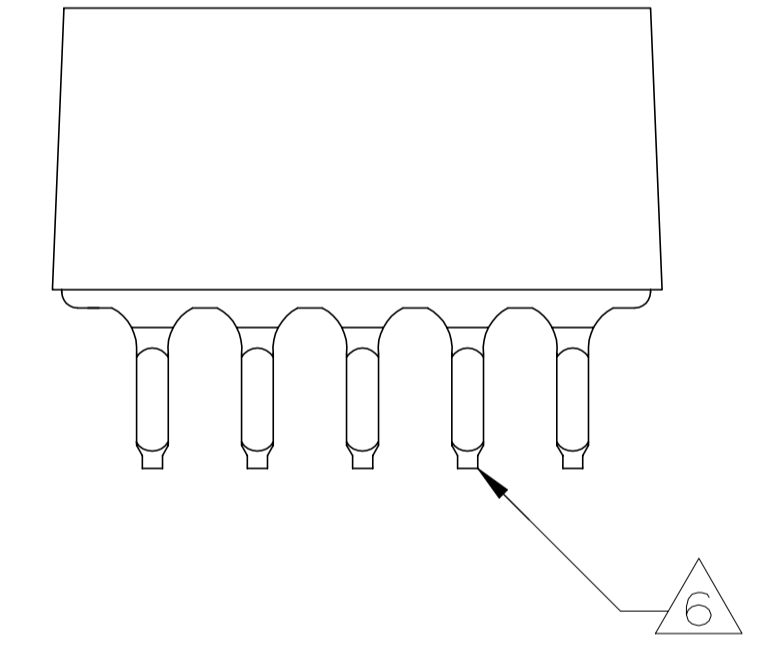
- 1 HOUSING AND ROCKERS: POLYESTER. CONTACTS: COPPER ALLOY.
- 2 SPRING CONTACTS: 0.76µm [.000030] MIN GOLD IN CONTACT AREA OVER 1.27µm [.000050] MIN NICKEL.
- 3 8.00±0.25 [.315±.010] DIMENSION APPLIES AT SPRING CONTACT TIPS. SPRING CONTACTS ARE 7.62 +0.25 0 [.300 +.010 -.000] AT MOUNTING SURFACE.
- 4. ALL CHARACTERS AND ROCKERS ARE WHITE, HOUSING IS BLUE.
- 5 CONTACT CLIPPED TO BOTTOM OF CORE IN POSITION 4 ONLY. (FRONT)
- 6 CONTACT DEPICTED IS ON BACK ROW ONLY. (REAR)
- 7 ALL MATERIALS AND FINISHES SHALL COMPLY WITH EU DIRECTIVE 2002/95/EC OF 27JAN2003 (ROHS)
- 8 MARKS WILL BE ADDED BY LASER MARK PROCESS.



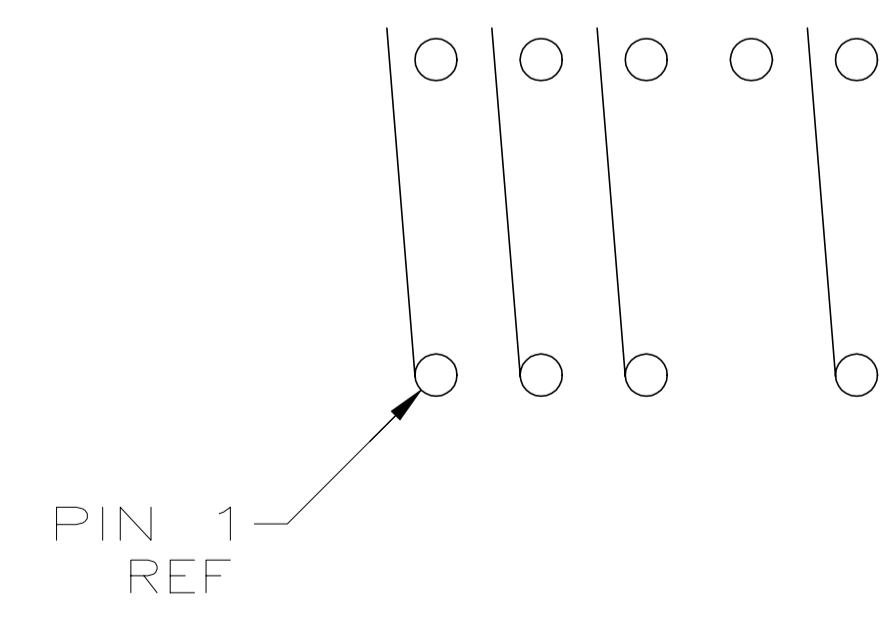
RECOMMENDED PCB LAYOUT



VIEW A-A (WITH FRONT ROW SHOWN ONLY) (FRONT)



VIEW B-B (WITH BACK ROW SHOWN ONLY) ROTATED 180° CW (REAR)



CONTACT ARRANGEMENT

7	TIN	5	147353-2
	TIN/LEAD	5	147353-1
	SOLDER LEAD PLATING	NO. OF POSN	SWITCH ASSY P/N

THIS DRAWING IS A CONTROLLED DOCUMENT.		DWN	17 NOV 99		NAME SWITCH ASSEMBLY, TYPE C, W/ CLIPPED CONTACT, 7100 SERIES, SPST, LOW PROFILE, DIP SWITCH
DIMENSIONS: mm [INCHES]		CHK	28 JAN 00		
TOLERANCES UNLESS OTHERWISE SPECIFIED:		APVD	28 JAN 00		
0 PLC	± -	PRODUCT SPEC		SIZE	RESTRICTED TO
1 PLC	± -	APPLICATION SPEC		CAGE CODE	DRAWING NO
2 PLC	± 0.13 [.005]	MATERIAL		A2	00779
3 PLC	± -	FINISH		C	147353
4 PLC	± -	WEIGHT		CUSTOMER DRAWING	
ANGLES	± -	SCALE		4:1	SHEET
		SCALE		4:1	1 of 1
		REV		B	

147353