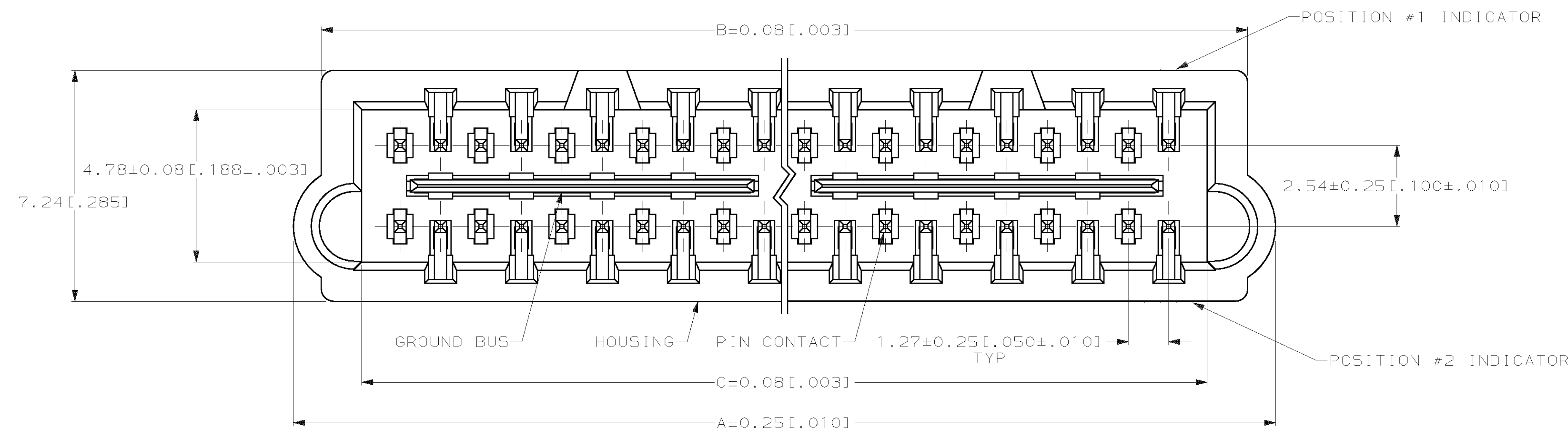
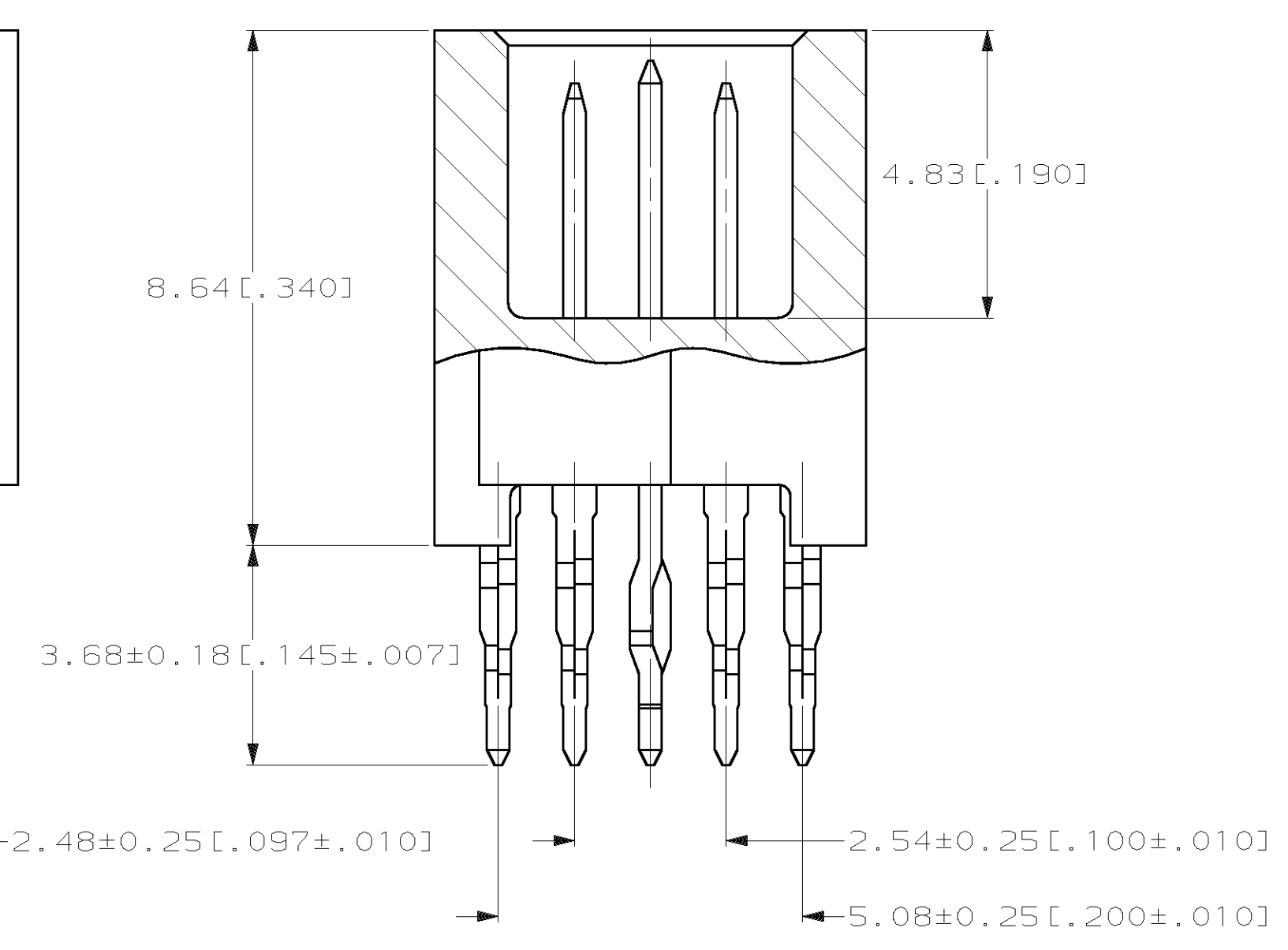
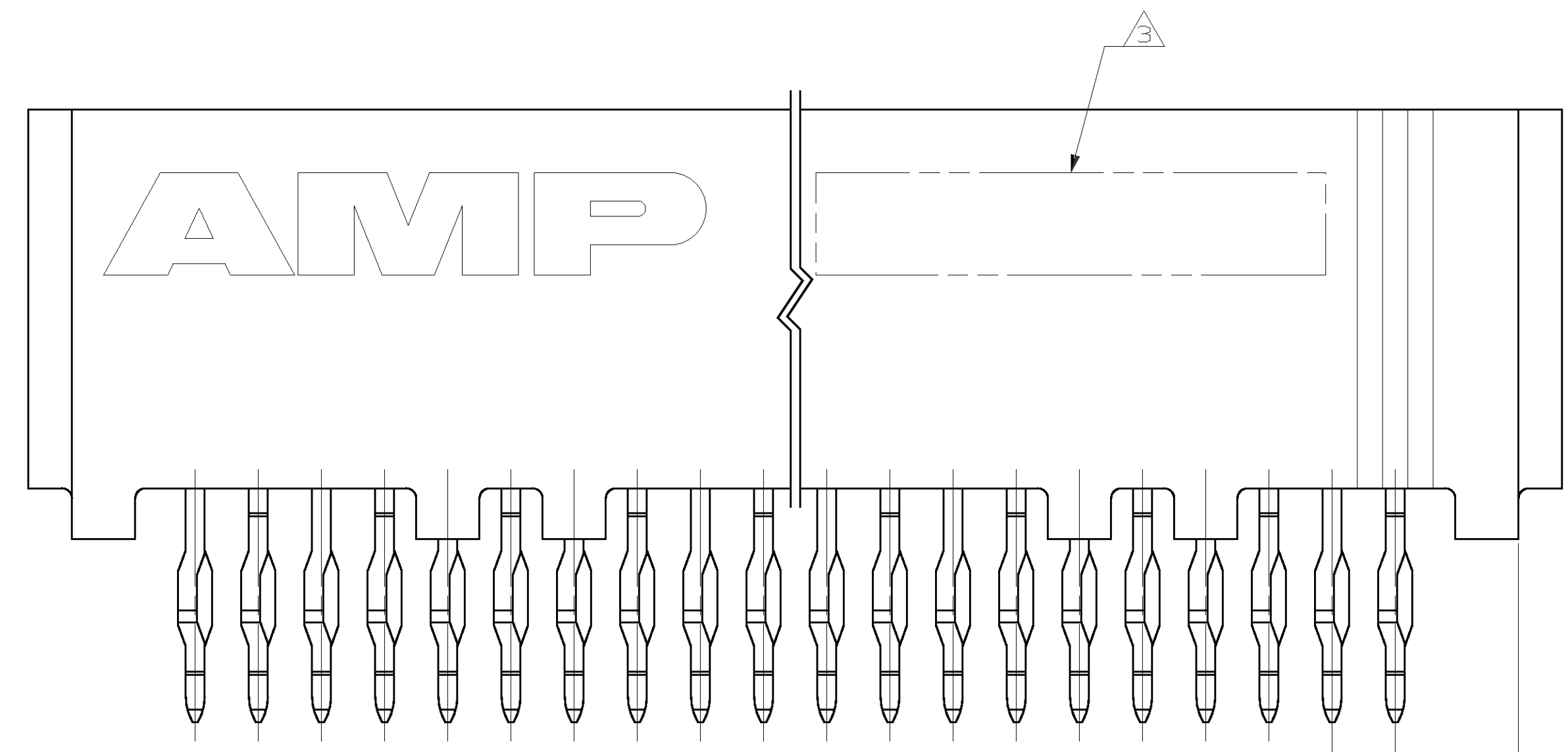


LOC		DIST		P		F		ZONE		LTR		REVISIONS		DATE	APPD
AD	47												REVISED PER 0512-0476-02	21FEB03	DRD

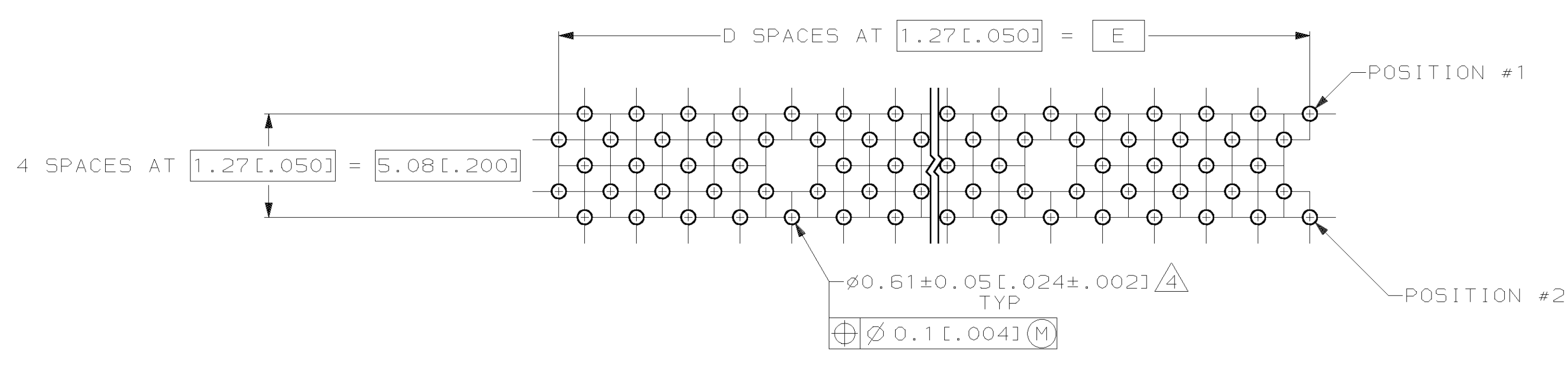


- △ HOUSING: HIGH TEMPERATURE THERMOPLASTIC, COLOR NATURAL.
PIN CONTACTS: PHOSPHOR BRONZE.
GROUND BUSSES: PHOSPHOR BRONZE.
- △ PIN CONTACTS: 0.00076 [0.000030] MIN GOLD IN CONTACT AREA, 0.00063-0.00191 [0.000025-.000075] TIN-LEAD ON SOLDER TAIL, ALL OVER 0.00127-0.00254 [0.000050-.000100] NICKEL ON ENTIRE CONTACT.
- △ GROUND BUSSES: 0.00076 [0.000030] MIN GOLD IN CONTACT AREA, 0.00063-0.00191 [0.000025-.000075] TIN-LEAD ON SOLDER TAIL, ALL OVER 0.00127-0.00254 [0.000050-.000100] NICKEL ON ENTIRE BUS.
- △ DATE CODE MARKED IN AREA INDICATED.
- △ 0.701 [0.0276] DIA HOLE, PLATE WITH 0.0076-0.0254 [0.00030-.00100] TIN-LEAD OVER 0.025-0.038 [0.0010-.0015] COPPER, 0.61±0.05 [0.024±.002] DIA HOLE AFTER PLATING.

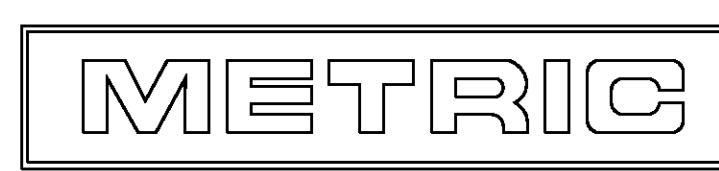


1.27±0.25 [0.050±.010] TYP
 2.48±0.25 [0.097±.010]

OBSELETE	151.13 [5.950]	119	153.62 [6.048]	156.08 [6.145]	157.84 [6.214]	240	1-536274-1
OBSELETE	138.43 [5.450]	109	140.92 [5.548]	143.48 [5.645]	145.14 [5.714]	220	1-536274-0
OBSELETE	125.73 [4.950]	99	128.22 [5.048]	130.68 [5.145]	132.44 [5.214]	200	536274-9
	113.03 [4.450]	89	115.52 [4.548]	117.98 [4.645]	119.74 [4.714]	180	536274-8
	100.33 [3.950]	79	102.82 [4.048]	105.28 [4.145]	107.04 [4.214]	160	536274-7
	87.63 [3.450]	69	90.12 [3.548]	92.58 [3.645]	94.34 [3.714]	140	536274-6
	74.93 [2.950]	59	77.42 [3.048]	79.88 [3.145]	81.64 [3.214]	120	536274-5
	62.23 [2.450]	49	64.72 [2.548]	67.18 [2.645]	68.94 [2.714]	100	536274-4
	49.53 [1.950]	39	52.02 [2.048]	54.48 [2.145]	56.24 [2.214]	80	536274-3
	36.83 [1.450]	29	39.32 [1.548]	41.78 [1.645]	43.54 [1.714]	60	536274-2
OBSELETE	24.13 [0.950]	19	26.62 [1.048]	29.08 [1.145]	30.84 [1.214]	40	536274-1
	E	D	C	B	A	NO OF POS	PART NUMBER



RECOMMENDED PC BOARD HOLE LAYOUT
 (VIEWED FROM CONNECTOR SIDE)
 SCALE 5:1



DO NOT SCALE PRINT. UNLESS SPECIFIED DIMENSIONS IN mm [INCHES] TOLERANCES ON: 2 PLC DEC ± 3 PLC DEC ± 0.13 [0.005] ANGLES ± -	DR 2-12-92 J.GERACE CHK 2-12-92 J.GERACE APPD 2-12-92 D.SINISI APPD 2-12-92 C.LINDGREN	AMP Incorporated Harrisburg, PA 17105-3608	
MATERIAL	PRODUCT SPEC 108-1272	NAME PLUG ASSEMBLY, 10.92 [0.430] STACK, 3.68 [1.145] ACTION PIN TAIL, BOARD TO BOARD, MICRO-STRIP	
FINISH	APPLICATION SPEC 114-11005	SIZE D	CAGE CODE 00779
	WEIGHT -	DRAWING NO	536274
		SCALE	10:1
		SHEET	1 OF 1