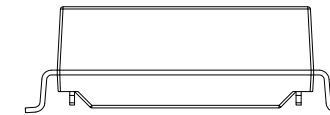
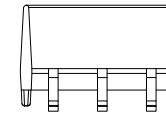
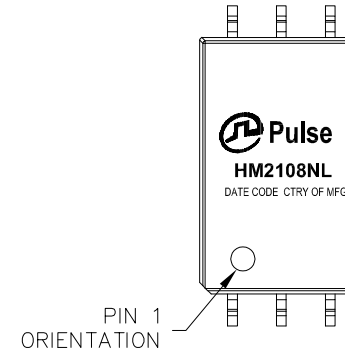




NOTES:

1. ROHS COMPLIANT
2. STORAGE TEMPERATURE: -50°C TO +125°C
3. COMPLIANCE TO J-STD:
 - A. J-STD-002: SOLDERABILITY AT 245°C REFLOW PROFILE
 - B. J-STD-020: LEVEL 1, NO MOISTURE SENSITIVE
 - C. J-STD-075: R7, 245°C MAXIMUM THROUGH REFLOW SOLDER
4. TO ORDER TAPE & REEL PACKAGING ADD A "T" SUFFIX TO THE PART NUMBER(i.e HXXXXXXXXNL BECOMES HXXXXXXXXNLT).
5. PACKING SPECIFICATION:
 REEL SIZE: 330mm
 TAPE WIDTH: 32mm
 TAPE PITCH: 16mm

 COMPONENTS PER REEL: 600 pcs



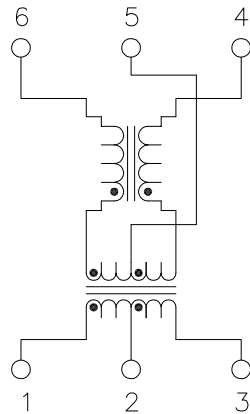
FINAL OUTLINE

© Copyright, 2017. Pulse Electronics Corp. All rights reserved. Pulse confidential & proprietary. (09/01/17)

| PRODUCT DESCRIPTION | TLA DRAWING | PS DRAWING | SHEET | PART NO. | DATASHEET REV. |
|-------------------------------------|-------------|-----------------|--------|----------|----------------|
| TRANSFORMER/CMC,4.3kVDC ISO,SGL,SMT | HM2108NL-P3 | PS-00249.003-01 | 1 OF 5 | HM2108NL | D |



ELECTRICAL CHARACTERISTICS AT +25°C UNLESS OTHER SPECIFIED
(FOR REFERENCE ONLY. USED FOR CUSTOMER INFORMATION.)

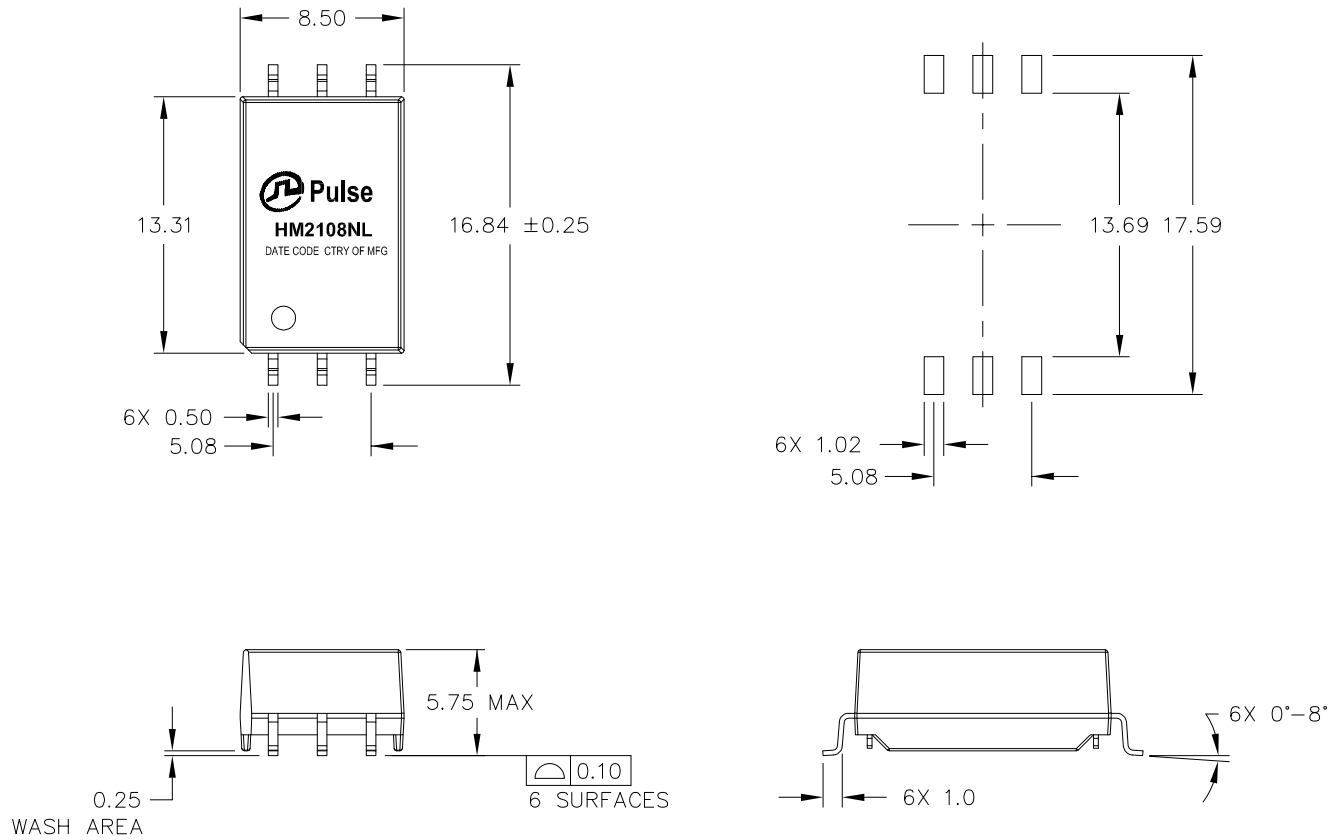


SCHEMATIC

| PARAMETER | SPECIFICATIONS | |
|--|--|---------------|
| QUALIFICATION | PER AEC-Q200 | |
| DESIGN CONSTRUCTION | BASIC INSULATION PER ISO6469/IEC60664 | |
| CREEPAGE DISTANCE | > 11mm | |
| OPERATING TEMPERATURE | -40°C TO +125°C | |
| TURNS RATIO | 1.00 ± 2% | |
| POLARITY | PER SCHEMATIC | |
| DC RESISTANCE | TRANSFORMER SIDE | CM CHOKE SIDE |
| | 0.45 OHMS MAX | 0.85 OHMS MAX |
| ▽ INDUCTANCE (OCL) AT 100 kHz, 100 mV | 135 uH MIN, 370 uH MAX (-40°C<T<-30°C) 150 uH MIN, 370 uH MAX (-30°C<T<125°C) | |
| LEAKAGE INDUCTANCE | 0.50 uH MAX @ 100 kHz | |
| ▽ INSERTION LOSS | 0.35 dB MAX @ 4 MHz | |
| RETURN LOSS (Z OUT = 100 OHM ±1%) | 20 dB MIN @ 4 MHz | |
| COMMON MODE REJECTION RATIO | 1-10 MHz | 10-1000 MHz |
| | -35 dB MIN | -20 dB MIN |
| ▽ INPUT - OUTPUT ISOLATION | 4300 VDC FOR 60 SECONDS WITH 1.0 mA MAX OF LEAKAGE CURRENT | |
| INSULATION RESISTANCE | 400 MEGAOHMS MINIMUM | |
| WORKING VOLTAGE | 1000 VDC FOR 15 YEARS | |

NOTE: "▽" IS SPECIAL CHARACTERISTIC.

| PRODUCT DESCRIPTION | TLA DRAWING | PS DRAWING | SHEET | PART NO. | DATASHEET REV. |
|-------------------------------------|-------------|-----------------|--------|----------|----------------|
| TRANSFORMER/CMC,4.3kVDC ISO,SGL,SMT | HM2108NL-P3 | PS-00249.003-01 | 2 OF 5 | HM2108NL | D |

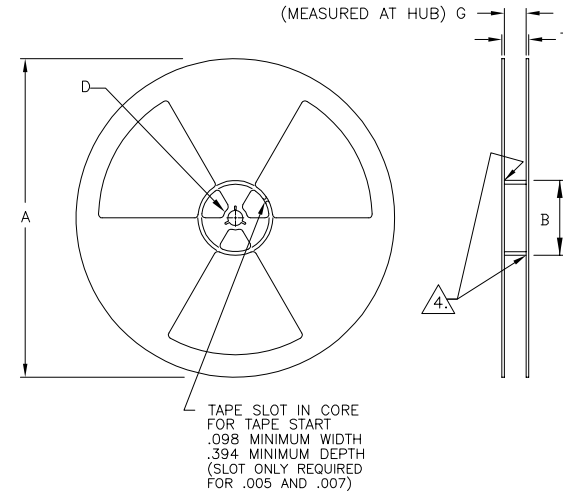
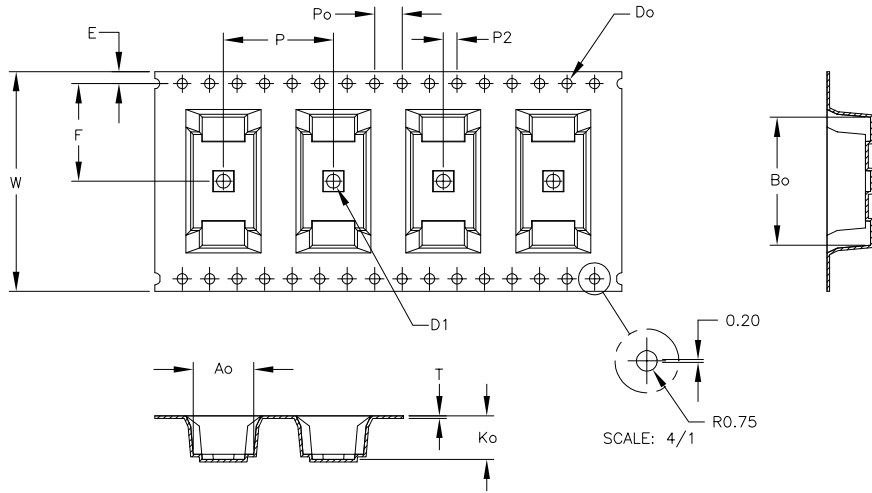


DIMENSIONS ARE IN MILLIMETERS WITH THE FOLLOWING
TOLERANCES:
X.X= ±0.25
X.XX= ±0.13

© Copyright, 2017. Pulse Electronics Corp. All rights reserved. Pulse confidential & proprietary. (09/01/17)

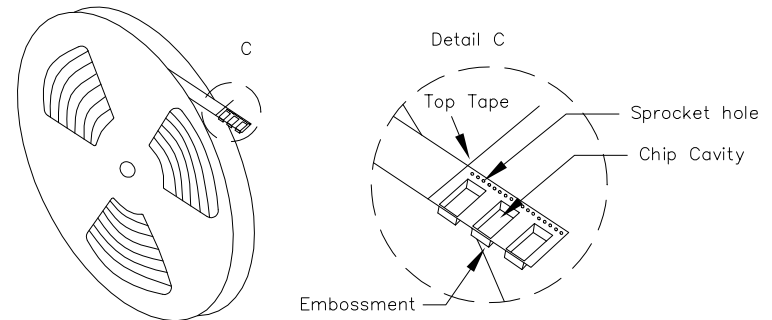
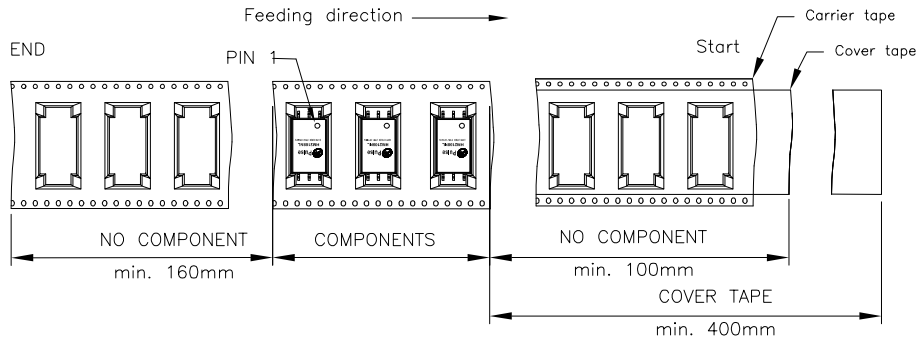
| PRODUCT DESCRIPTION | TLA DRAWING | PS DRAWING | SHEET | PART NO. | DATASHEET REV. |
|-------------------------------------|-------------|-----------------|--------|----------|----------------|
| TRANSFORMER/CMC,4.3kVDC ISO,SGL,SMT | HM2108NL-P3 | PS-00249.003-01 | 3 OF 5 | HM2108NL | D |

USER DIRECTION OF FEED
→



| ITEM | W | Ao | Bo | Ko | K1 | P | F | E | Do | D1 | Po | P2 | T |
|------|----------------|--------------|---------------|---------------|----|----------------|---------------|---------------|------------------------|-----------------------|---------------|---------------|---------------|
| DIM | 32.00 ±0.30 | 8.8 ±0.10 | 18.6 ±0.10 | 6.35 ±0.10 | | 16.00 ±0.10 | 14.2 ±0.10 | 1.75 ±0.10 | 1.50 +0.10 -0.00 | 2.0 +0.10 -0.00 | 4.00 ±0.10 | 2.00 ±0.10 | 0.40 ±0.05 |

| | A | B | D | T | G | G |
|---------------|--------|--------|-------|------|------|------|
| Tolerance | | min. | min. | max. | min. | max. |
| Tape width mm | 330.00 | 100.00 | 20.20 | 38.4 | 32.4 | 34.4 |



© Copyright, 2017. Pulse Electronics Corp. All rights reserved. Pulse confidential & proprietary. (09/01/17)

| PRODUCT DESCRIPTION | TLA DRAWING | PS DRAWING | SHEET | PART NO. | DATASHEET REV. |
|-------------------------------------|-------------|-----------------|--------|----------|----------------|
| TRANSFORMER/CMC,4.3kVDC ISO,SGL,SMT | HM2108NL-P3 | PS-00249.003-01 | 4 OF 5 | HM2108NL | D |



REVISION HISTORY:

| REV | DESCRIPTION |
|-----|---|
| A | NEW DS |
| B | CHANGE QUALIFICATION AND ISOLATION; ADD DESIGN CONSTRUCTION AND CREEPAGE DISTANCE, INSULATION RESISTANCE |
| C | UPDATE OCL AND ADD PACKING SPECIFICATION |
| D | ADD SC WITH "▽" AND UPDATE OCL ; AND CHANGE DIMENSION FROM 6X 1.00 TO 6X 1.0 |
| | |
| | |

© Copyright, 2017. Pulse Electronics Corp. All rights reserved. Pulse confidential & proprietary. (09/01/17)

| PRODUCT DESCRIPTION | TLA DRAWING | PS DRAWING | SHEET | PART NO. | DATASHEET REV. |
|-------------------------------------|-------------|-----------------|--------|----------|----------------|
| TRANSFORMER/CMC,4.3kVDC ISO,SGL,SMT | HM2108NL-P3 | PS-00249.003-01 | 5 OF 5 | HM2108NL | D |