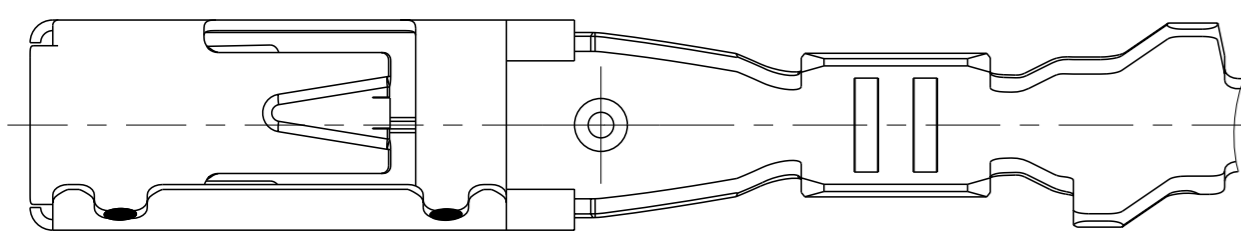
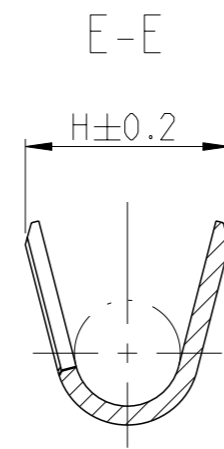
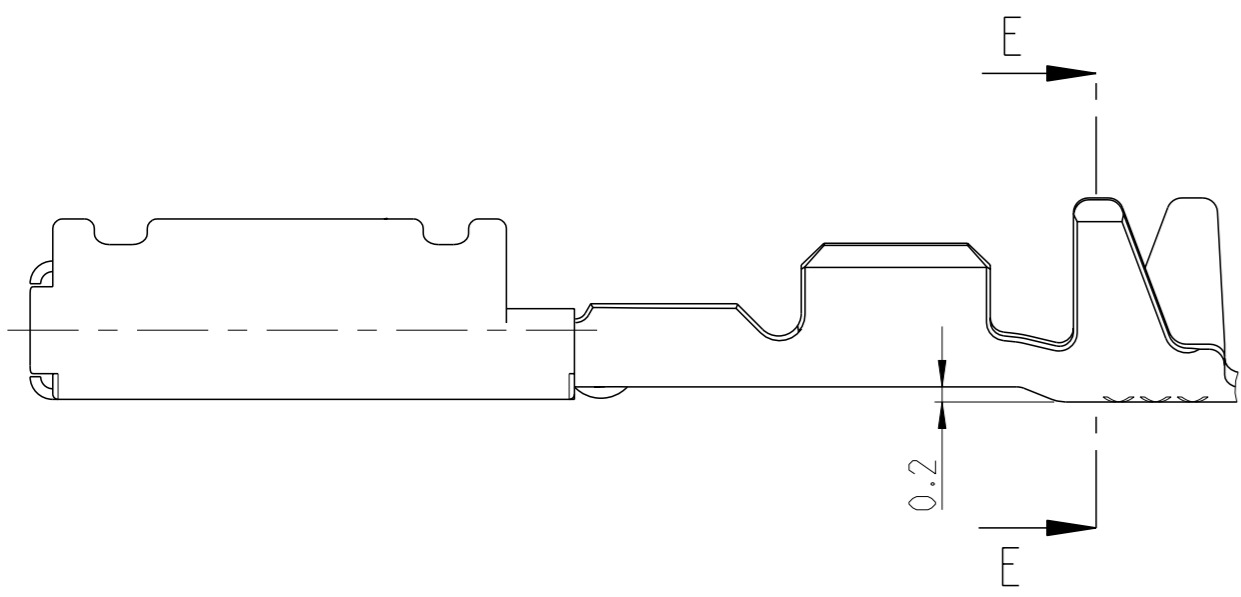
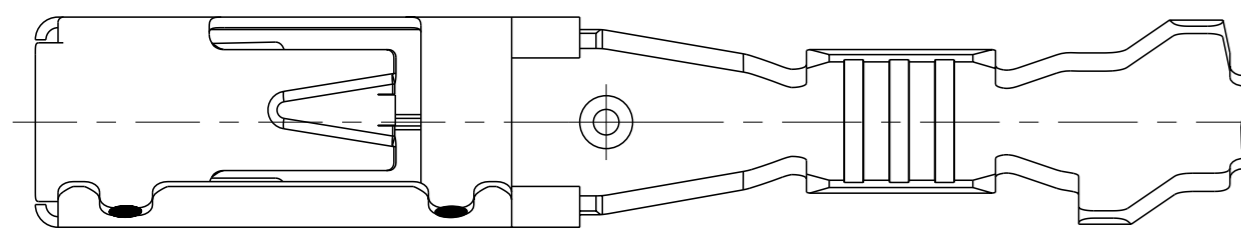


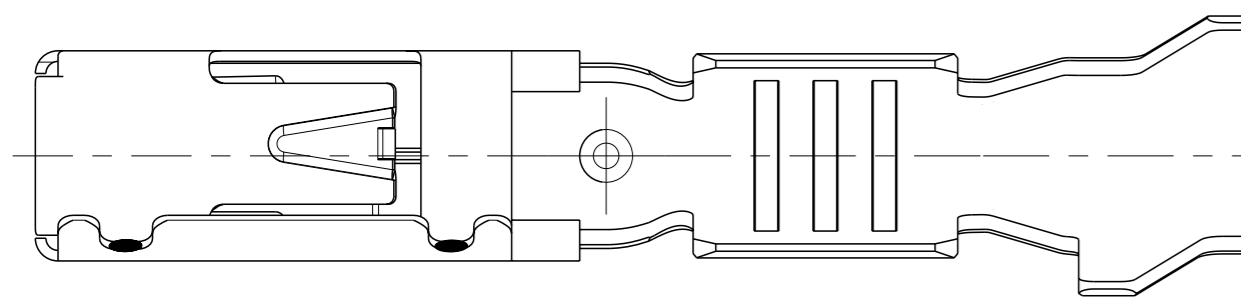
Normale Anwendung
USUAL APPLICATION



Ausfuehrung 1 / DESIGN

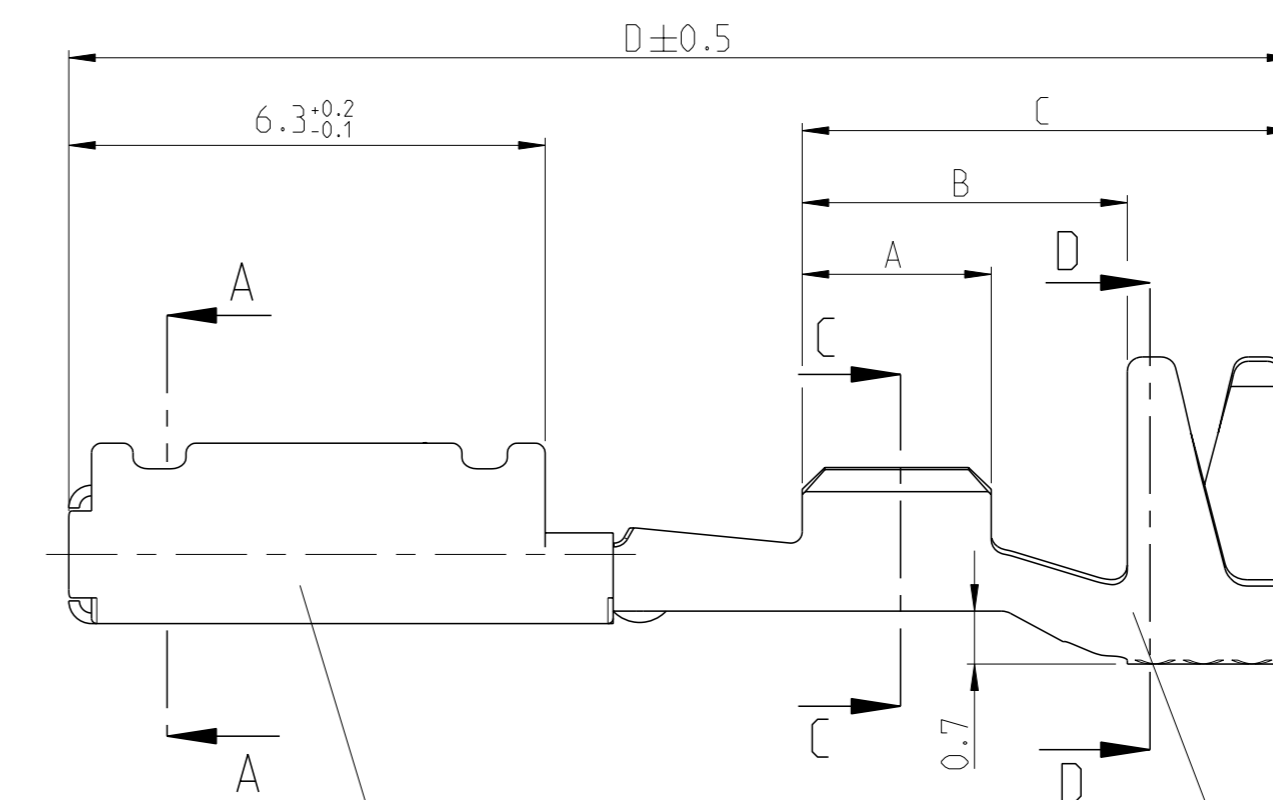
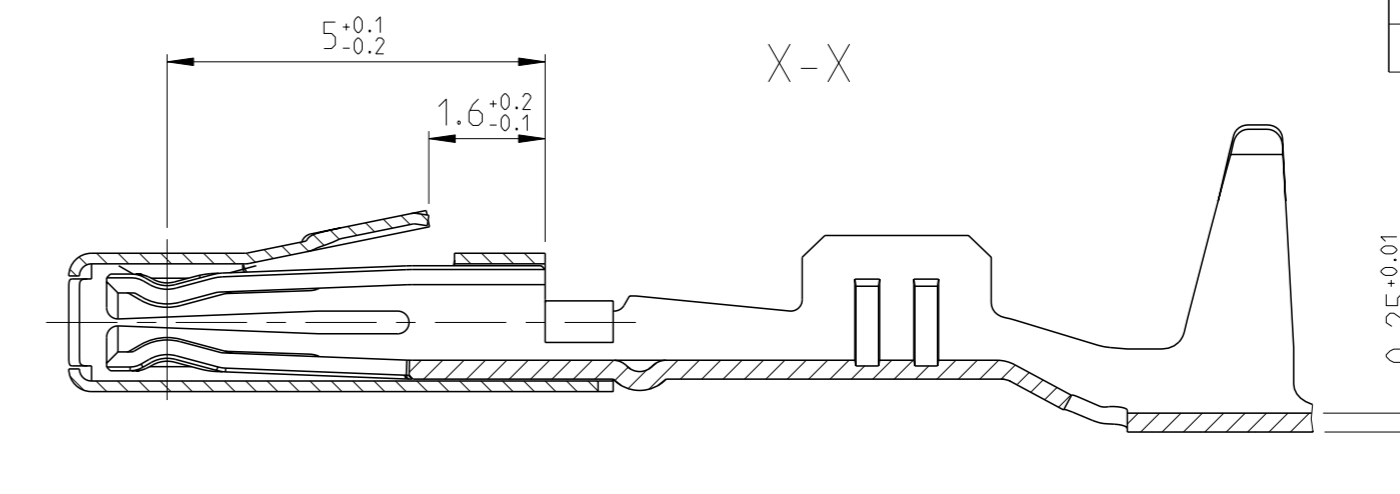
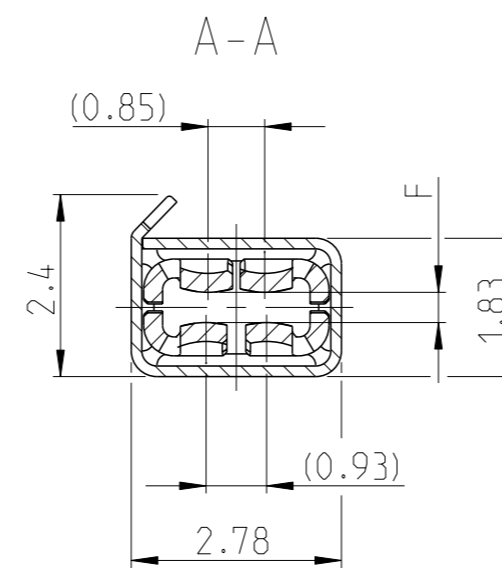


Ausfuehrung 2 / DESIGN



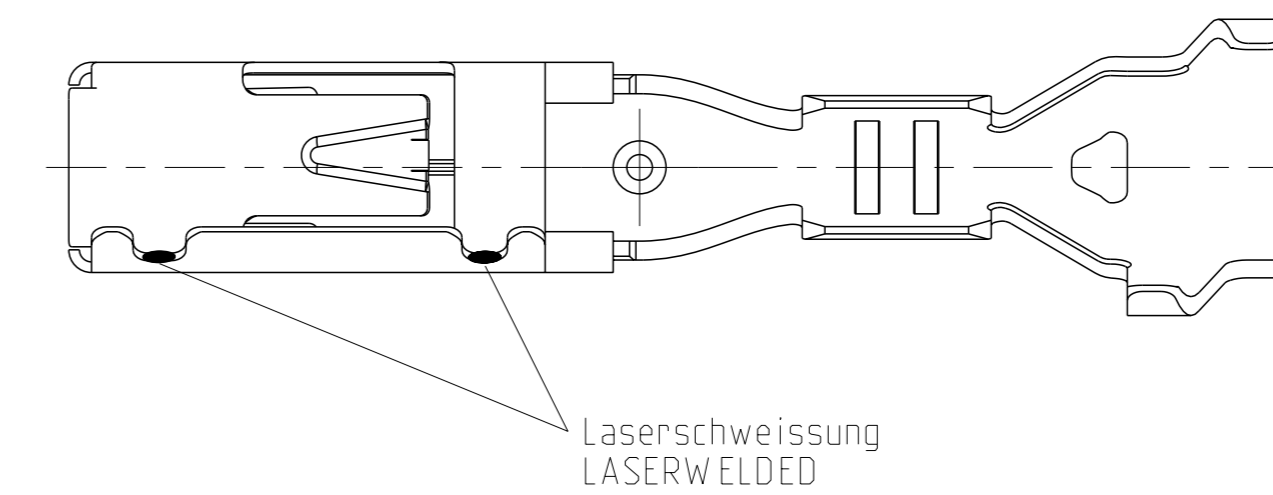
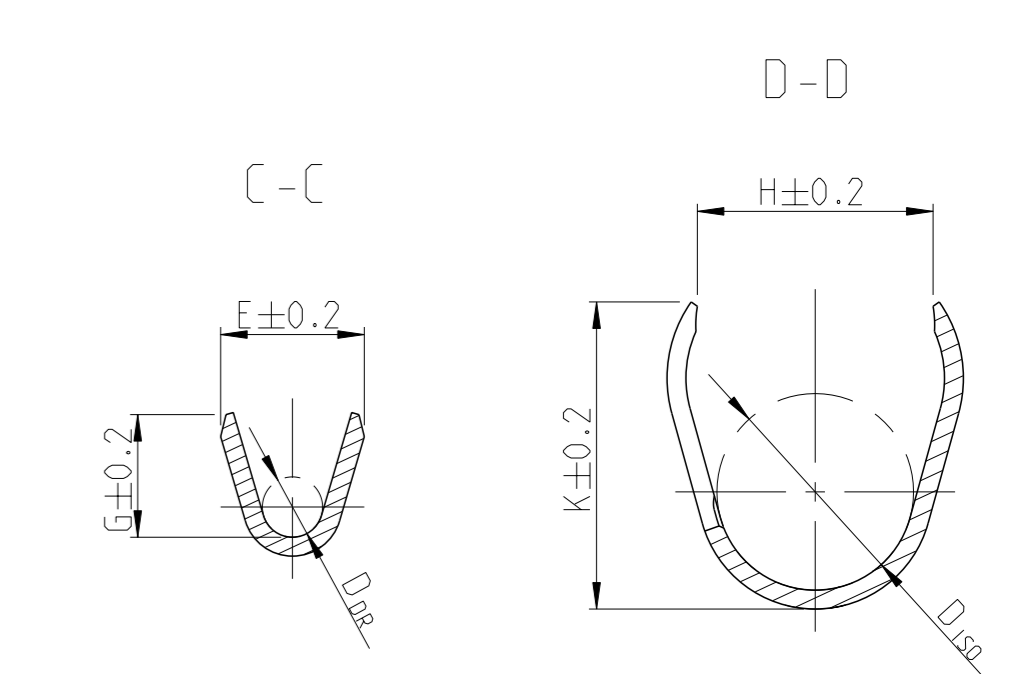
Ausfuehrung 3 / DESIGN

Einzel-Dichtungs-System
SINGLE WIRE SYSTEM

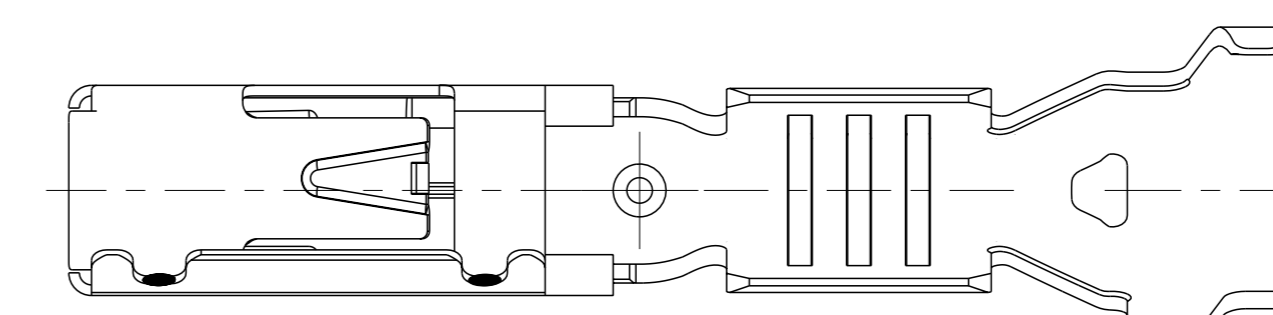


Ueberfeder/SPRING
Material: X12CrNi17-7
DIN 17224
Oberflaeche: blank
SURFACE: UNCOATED

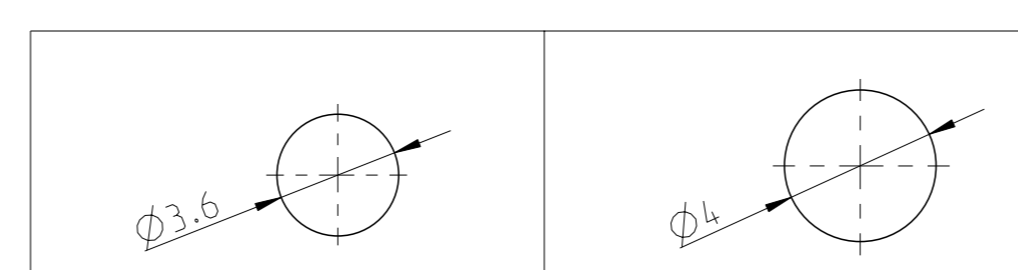
Kontaktkoerper/BODY
Material: CuNiSi F57
Oberflaeche: Sn: 0.8-2µm Sn
SURFACE: Au: 1.8µm Au ueber Ni selektiv im Kontaktbereich
1.8µm Au OVER Ni SELECTIVE IN CONTACT AREA



Ausfuehrung 4 / DESIGN



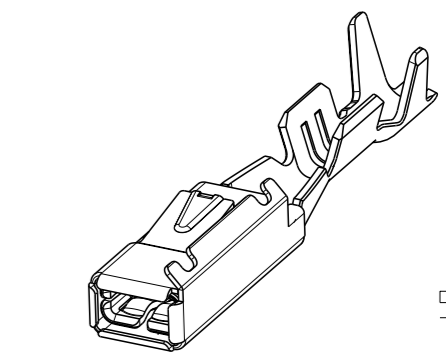
Ausfuehrung 5 / DESIGN



| Part No. | REV. | Design | Version | DGB WIRE SIZE RANGE [mm ²] | Oberflaeche SURFACE | Art KIND | GRAMM | F [mm] | Laenge LENGTH | Drahtcrimp WIRE CRIMP | Iso' crimp INSU.CRIMP | DGB [mm ²] | Isolations-Ø INSUL.-DIA [mm] | fuer Kammer-Ø 3.6mm FOR CAVITY-DIA. 3.6mm | fuer Kammer-Ø 4mm FOR CAVITY-DIA. 4mm | | |
|-------------|------|--------|--|--|---------------------|----------|-------|---------------------------------------|---|---|--|------------------------|------------------------------|---|---------------------------------------|---|---|
| 0-1241605-2 | C | 5 | Einzel-Dichtungs-System SINGLE WIRE SYSTEM | 0.75-1.5 | Au | C | 0.2 | 0.4 ^{+0.04} _{-0.06} | A = 3.5 B = 5.1 C = 7.3 D = 16.2 | E = 2.7 G = 2.9 D _{DR} = 1.4 | H = 3.6 K = 3.9 D _{ISO} = 2.9 | 1.0 | 1.9-2.4 | - | - | | |
| 0-1241605-1 | C | 5 | | | | | | | | | | 0.75 | 1.7-1.9 | 967067-1 | gruen/GREEN | - | - |
| 0-1241603-2 | C | 4 | | | | | | | | | | 1.0 | 1.9-2.4 | - | - | - | - |
| 0-1241603-1 | C | 4 | | | | | | | | | | 0.75 | 1.7-1.9 | 967067-1 | gruen/GREEN | - | - |
| 0-1355553-3 | A | 3 | normale Anwendung USUAL APPLICATION | 0.75-1.5 | Au | C | 0.2 | 0.4 ^{+0.04} _{-0.06} | A = 2.5 B = 4.3 C = 6.5 D = 16.2 | E = 1.9 G = 1.9 D _{DR} = 0.8 | H = 3.1 K = 4.0 D _{ISO} = 2.6 | 0.5 | 1.4-1.6 | 967067-1 | gruen/GREEN | - | - |
| 0-1355553-2 | A | 3 | | | | | | | | | | 0.35 | 1.1-1.3 | 967067-2 | gelb/YELLOW | - | - |
| 0-1355553-1 | A | 3 | | | | | | | | | | 0.5 | 1.4-1.6 | 967067-1 | gruen/GREEN | - | - |
| 5-1355556-1 | A | 2 | | | | | | | | | | 0.35 | 1.1-1.3 | 967067-2 | gelb/YELLOW | - | - |
| 0-1355556-3 | A | 1 | | | | | | | | | | 0.75 | 1.7-1.9 | 967067-1 | gruen/GREEN | - | - |
| 0-1355556-2 | A | 1 | | | | | | | | | | 0.5 | 1.4-1.6 | 967067-1 | gruen/GREEN | - | - |
| 0-1355556-1 | A | 1 | | | | | | | | | | 0.35 | 1.1-1.3 | 967067-2 | gelb/YELLOW | - | - |
| 0-1355556-1 | A | 1 | | | | | | | | | | 0.75 | 1.7-1.9 | 967067-1 | gruen/GREEN | - | - |

Bemerkungen
NOTES

- 1 Kontakt nur fuer Testzwecke (erhoehte Steckzyklenzahl), nicht fuer Serieneinsatz CONTACT ONLY FOR SPECIAL TEST-APPLICATIONS (HIGH MATING CYCLES). NOT FOR SERIES-APPLICATION
- 2 Nur fuer FLR-Leitung nach DIN 72551, Teil 1 FOR FLR-CONDUCTOR ACCORDING TO DIN 72551-6 ONLY
- 3 Einzelheiten der Ausfuehrung bleiben dem Hersteller ueberlassen DETAILS OF DESIGN ARE LEFT TO MANUFACTURER
- 4 Oberflaeche: blank, Material CuNi12Zn24 SURFACE: UNCOATED, MATERIAL CuNi12Zn24



| | | | | |
|--|-------------|-------------------------|-----------------|--|
| THIS DRAWING IS A CONTROLLED DOCUMENT. | | OWN S. Garcia 04FEB2000 | TE Connectivity | |
| DIMENSIONS: mm | | CHK R. Jetter 04FEB2000 | NAME | |
| TOLERANCES UNLESS OTHERWISE SPECIFIED: | | APVD | PRODUCT SPEC | |
| 0 PLC ± DIN | 1 PLC ± 0.1 | 108-18030 | | |
| 2 PLC ± 0.2 | 2 PLC ± 0.2 | APPLICATION SPEC | | |
| 3 PLC ± 0.3 | 3 PLC ± 0.3 | 114-18286 | | |
| 4 PLC ± 0.4 | 4 PLC ± 0.4 | WEIGHT | | |
| ANGLES | FINISH | Customer Drawing | | |
| MATERIAL | | Customer Drawing | | |
| SCALE 5:1 | | SHEET 1 OF 1 | | |
| REV C8 | | REV C8 | | |