

4

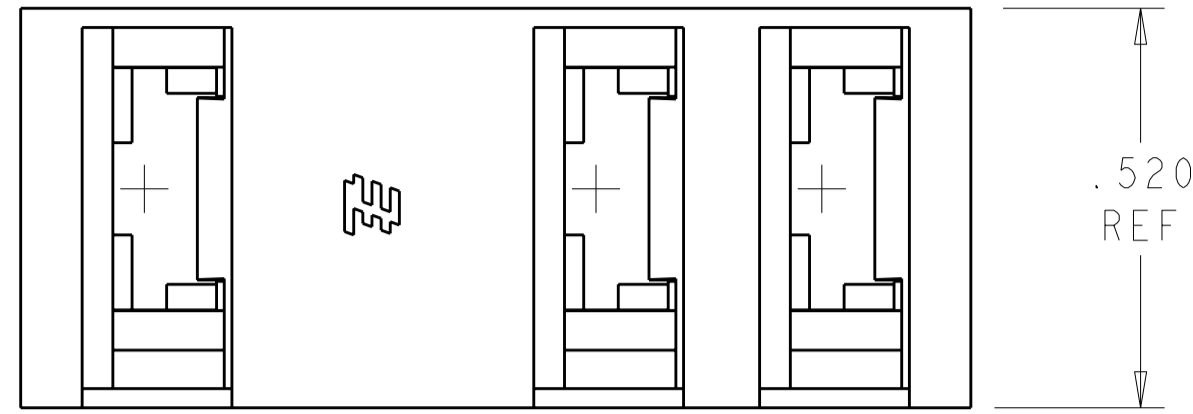
3

2

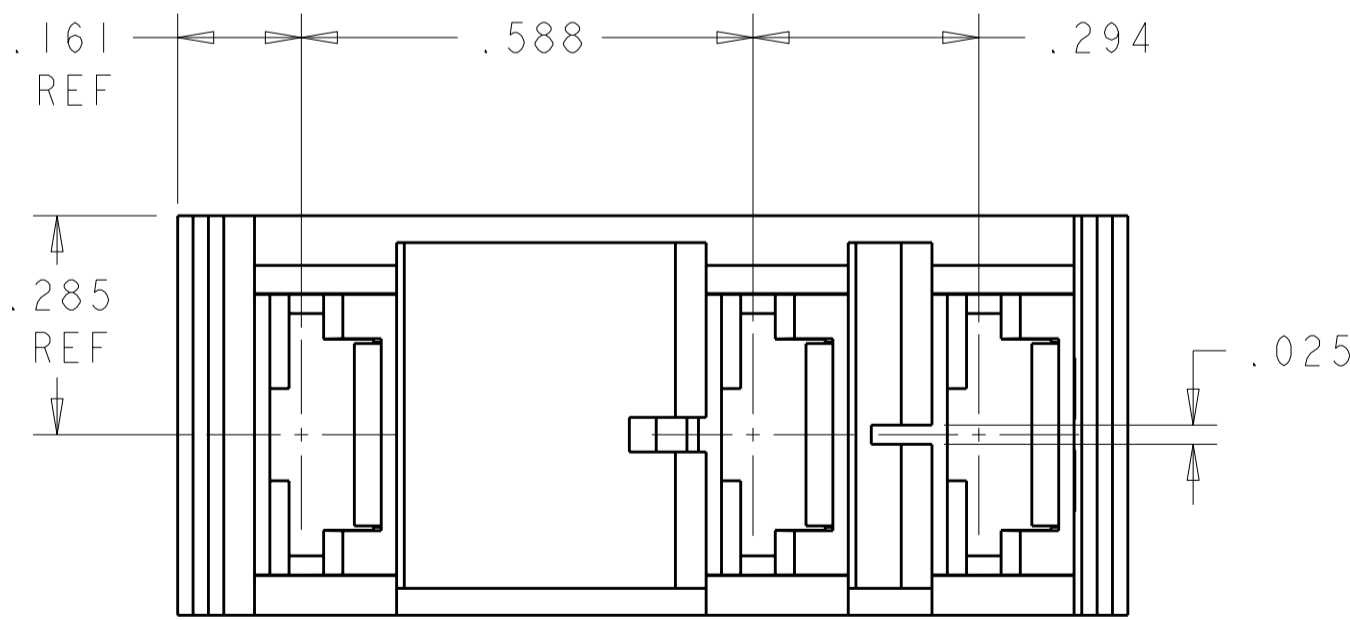
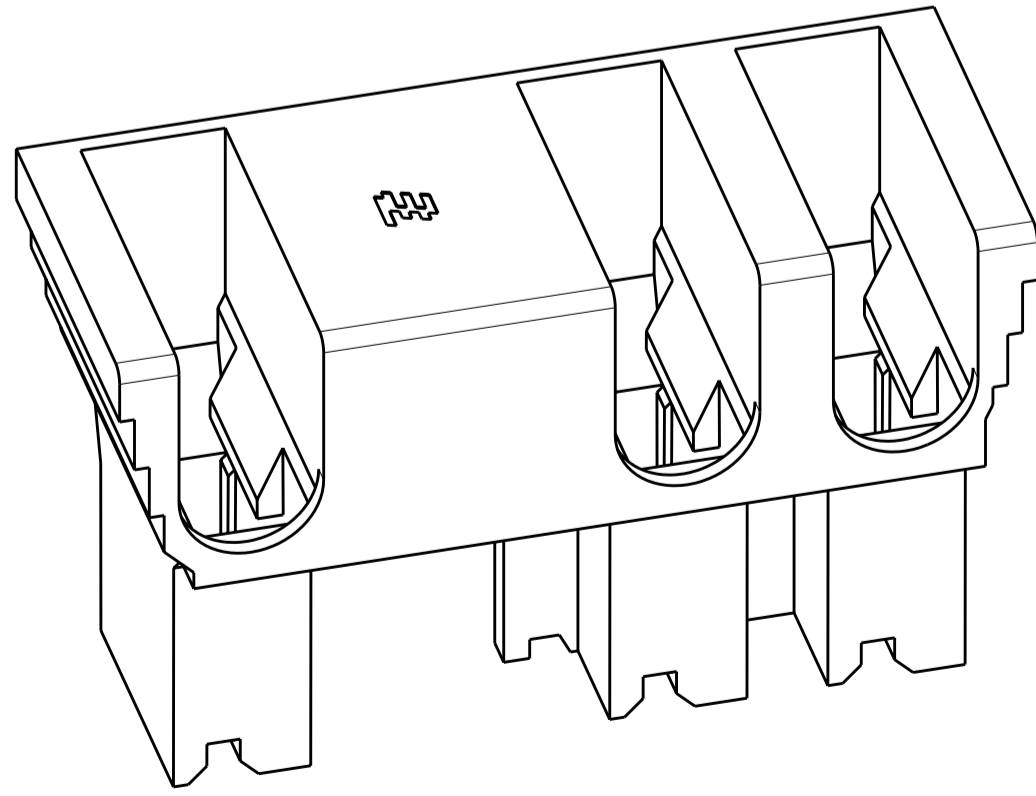
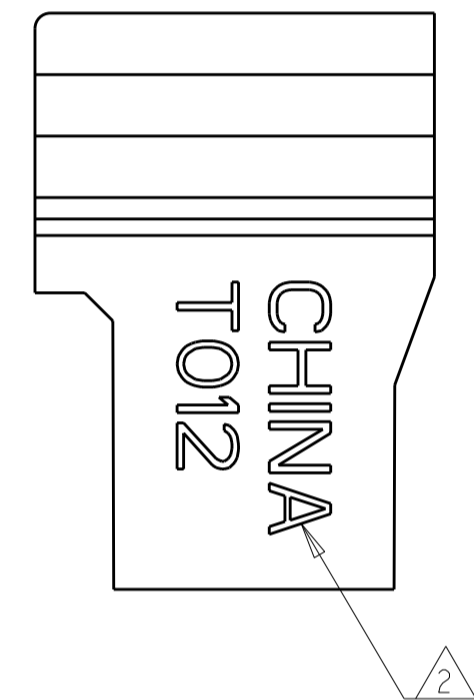
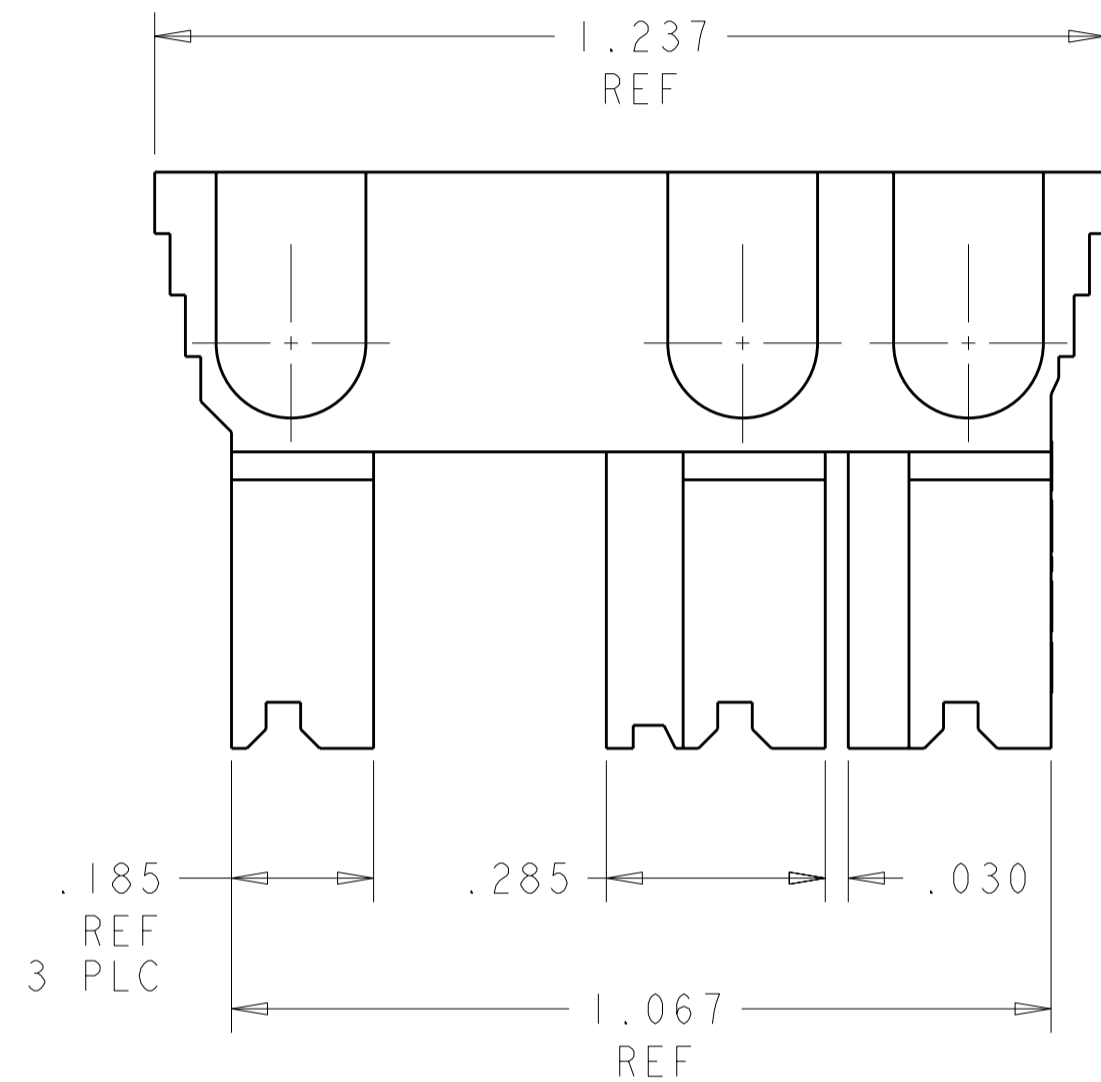
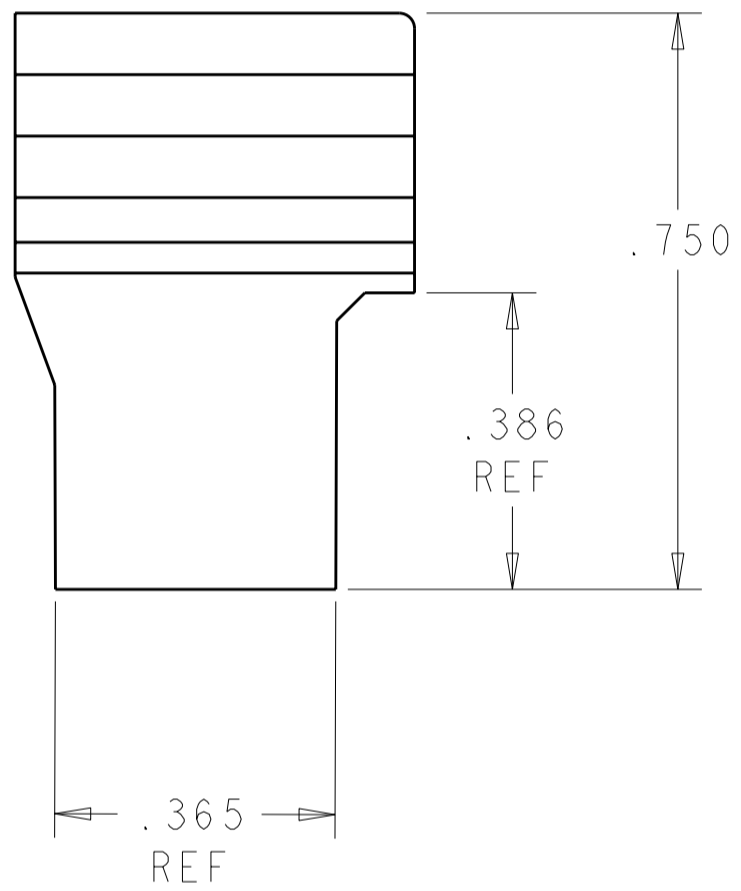
1

THIS DRAWING IS UNPUBLISHED. RELEASED FOR PUBLICATION 20  
 © COPYRIGHT 20 BY TYCO ELECTRONICS CORPORATION. ALL RIGHTS RESERVED.

LOC	DIST	REVISIONS				
P	LTR	DESCRIPTION	DATE	DWN	APVD	
AF	50	RI	REVISED PER ECR-10-021735	26OCT10	JR PD	



1. FOR USE WITH TE TERMINALS 63445-1 AND 63445-2  
 2. COUNTRY OF ORIGIN AND VENDOR CODE.



BLACK	6/6 NYLON	521662-1
COLOR	MATERIAL	PART NUMBER

<small>THIS DRAWING IS A CONTROLLED DOCUMENT FOR TYCO ELECTRONICS CORPORATION. IT IS SUBJECT TO CHANGE AND THE CONTROLLING ENGINEERING ORGANIZATION SHOULD BE CONTACTED FOR THE LATEST REVISION.</small>		DWN	20AUG2003	Tyco Electronics	
DIMENSIONS: INCHES		CHK	20AUG2003	Harrisburg, PA 17105-3608	
<small>TOLERANCES UNLESS OTHERWISE SPECIFIED:</small> 0 PLC ± 1 PLC ± 2 PLC ± 3 PLC ±.010 4 PLC ± ANGLES ±2° FINISH		APVD	20AUG2003	NAME	
SEE TABLE		PRODUCT SPEC		HOUSING, RECP, FASTON, FLAG, .250 SERIES	
		APPLICATION SPEC		SIZE	RESTRICTED TO
		WEIGHT		A2	
		CUSTOMER DRAWING		CAGE CODE	DRAWING NO
				00779	521662
				SCALE	SHEET OF REV
				4:1	1 1 RI