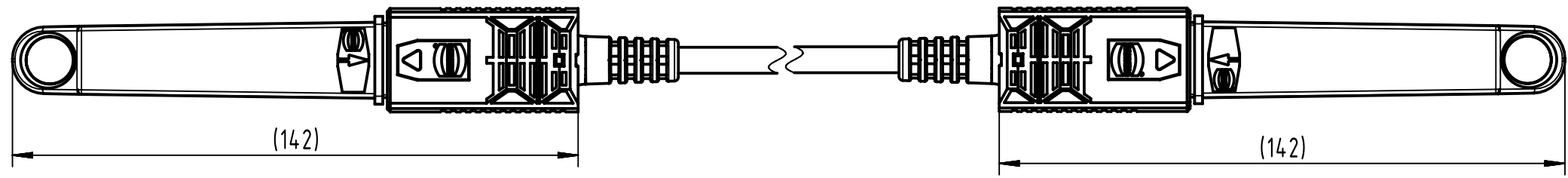
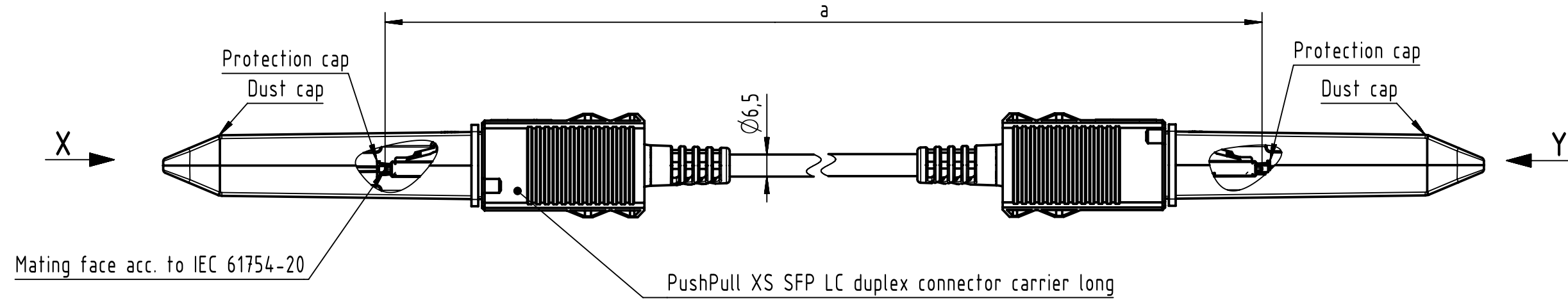


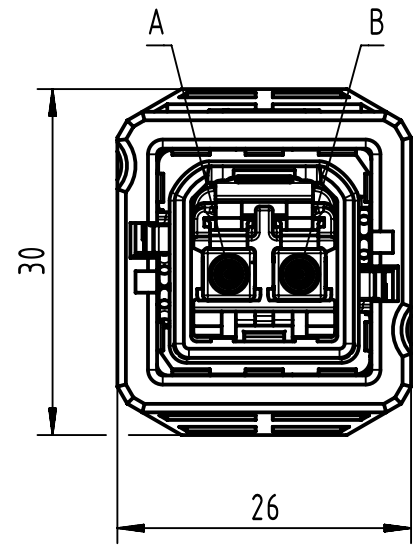
Connector Location A

Connector Location B

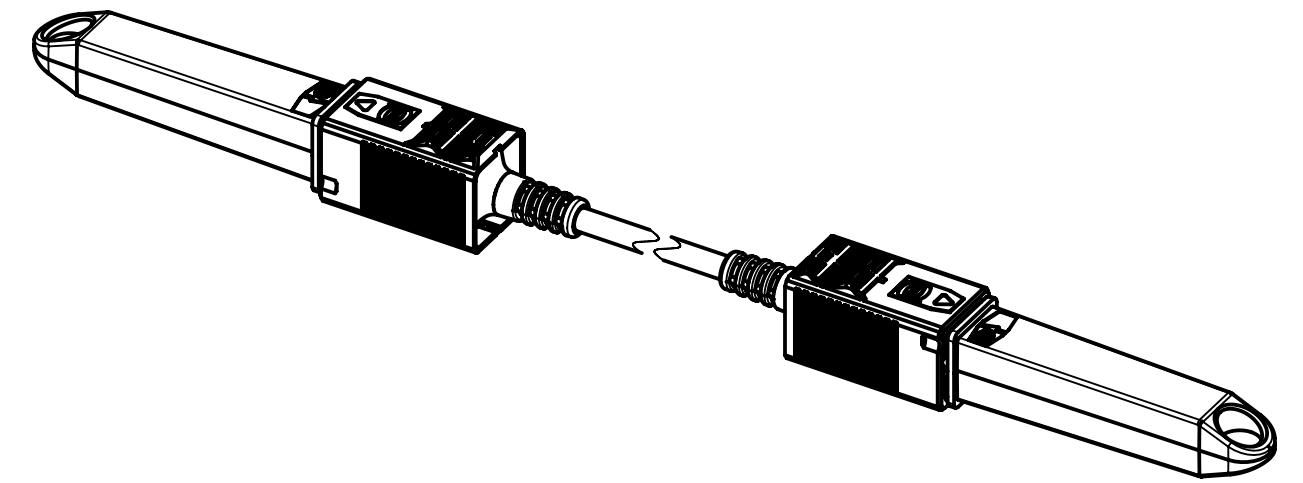
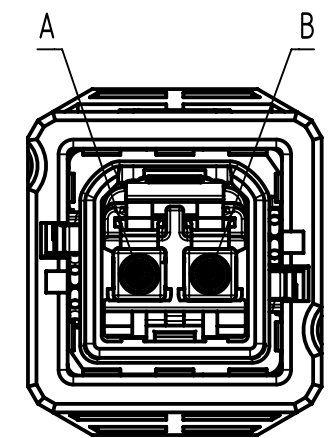


X  
male  
(without dust cap and protection cap)

Y  
male  
(without dust cap and protection cap)




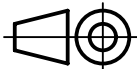

Loading Plan  
A — blue — B  
B — orange — A



Further information see DS 33265100000

	All rights reserved Department HCS - RO HARTING Customised Solutions D-32339 Espelkamp	Tech. Character. All Dimensions in mm	Free size tol.	According to production drawing	
		Created by 402676 Gross	Inspected by 402676 Gross	Standardisation COSTEA Costea	Date 2022-08-31
Title PP XS LCdx Lg - PP XS LCdx Lg, SM Assy		Type TB	Number 3326231XXX0011	Rev. E	Page 1/2

1	2	3	4	5	6	7	8
A							
B							
C							
D							
E							
F							
27	33262311000011	FO Cable, 2-channel, SM, 9/125µm, PUR, black	100	±1%	 All rights reserved Department HCS - RO HARTING Customised Solutions D-32339 Espelkamp	Created by 402676 Gross Inspected by 402676 Gross Standardisation COSTEA Costea Date 2022-08-31 State Final Release Title PP XS LCdx Lg - PP XS LCdx Lg, SM Assy Type TB Number 3326231XXX0011 Doc-Key / ECM-Nr. 100572207/UGD/032/E 500000219506 Rev. E Page 2/2	
26	33262310900011		90				
25	33262310800011		80				
24	33262310700011		70				
23	33262310600011		60				
22	33262310500011		50				
21	33262310450011		45				
20	33262310400011		40				
19	33262310350011		35				
18	33262310300011		30				
17	33262310250011		25				
16	33262310200011		20				
15	33262310150011		15				
14	33262310140011		14				
13	33262310130011		13				
12	33262310120011		12				
11	33262310110011		11				
10	33262310100011		10				
9	33262310090011		9				
8	33262310080011		8				
7	33262310070011		7				
6	33262310060011		6				
5	33262310050011		5				
4	33262310040011		4				
3	33262310030011		3				
2	33262310020011		2				
1	33262310010011		1				
				±0.03			
Cont. no.	Part no.	Type of cable	Dim. a[m]				

	All Dimensions in mm	Tech. Character.	Free size tol.	According to production drawing
	All rights reserved Department HCS - RO HARTING Customised Solutions D-32339 Espelkamp	Created by 402676 Gross	Inspected by 402676 Gross	Standardisation COSTEA Costea
		Date 2022-08-31	State Final Release	Doc-Key / ECM-Nr. 100572207/UGD/032/E 500000219506
		Title PP XS LCdx Lg - PP XS LCdx Lg, SM Assy	Rev. E	Page 2/2