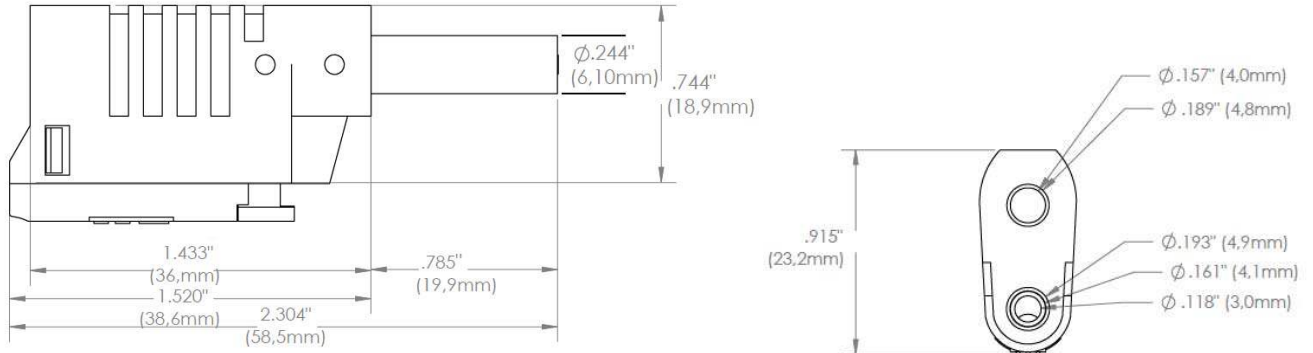


**Model 73093**

**DIY Retractable Sheath 4mm Banana Plug, Stackable, Quick Wire Attachment**



**Features**

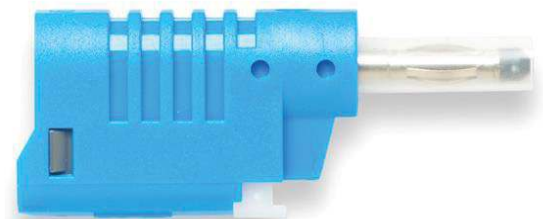
- Attach wires quickly with the push-button tab for easy assembly or test lead repair
- No soldering or set screws required; simply, push and hold the push tab, insert the stripped test lead wire (*strip 4-6mm of insulation*), and release the push tab to secure the wire down
- Great in low voltage applications where prototyping and quick wire attachments are important
- Stackable for chaining additional connections and test versatility
- Retractable sheath allows for interfacing either sheathed or unsheathed 4mm banana jacks
- Make 4mm banana plug patch cords conveniently in the field
- Designed to fit on the end of any 22 AWG to 18 AWG wire gauge

**Materials**

Contact: Nickel-plated brass and steel  
 Insulation: Polyamide, Polypropylene, and Polyoxymethylene

**Specifications**

<b>Voltage</b>	33 V AC / 70 V DC
<b>Max Current</b>	36 A
<b>Max Resistance</b>	less than 10 m $\Omega$



**Ordering Information**

Model: 73093-*color*

**Color:** 0=Black, 2=Red, 4=Yellow, 5=Green, 6=Blue, 9=White

DIY Retractable Sheath 4mm Banana Plug, Stackable, Quick Wire Attachment

**USA:** Sales: 800-490-2361  
 Technical Support: [technicalsupport@pomonatest.com](mailto:technicalsupport@pomonatest.com)  
 Fax: 425-446-5844  
**Europe:** 31-(0) 40 2675 150 **International:** 425-446-5500  
**Where to Buy:** [www.pomonaelectronics.com](http://www.pomonaelectronics.com)

All dimensions are in inches. Tolerances (except noted): .xx =  $\pm .02"$  (.51 mm), .xxx =  $\pm .005"$  (.127 mm). All specifications are to the latest revisions. Specifications are subject to change without notice. Registered trademarks are the property of their respective companies.