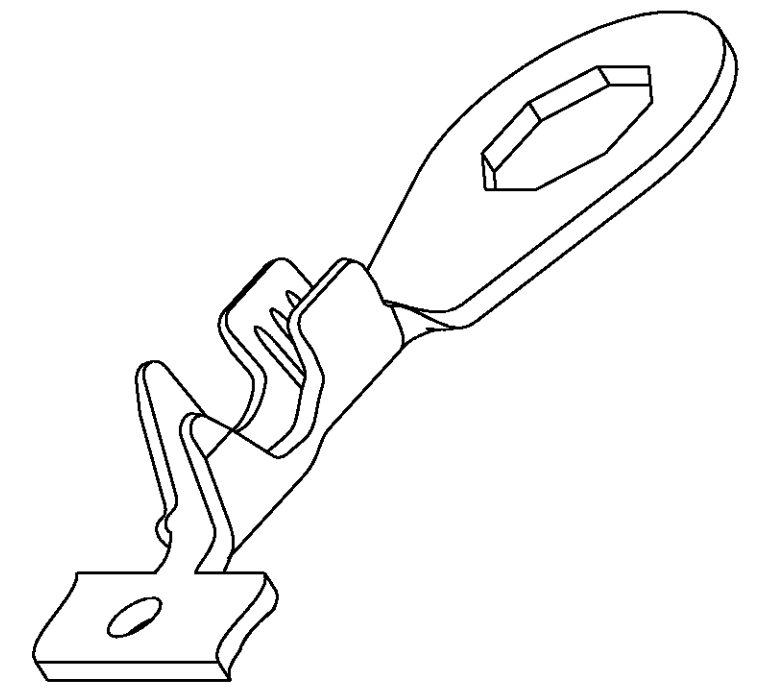
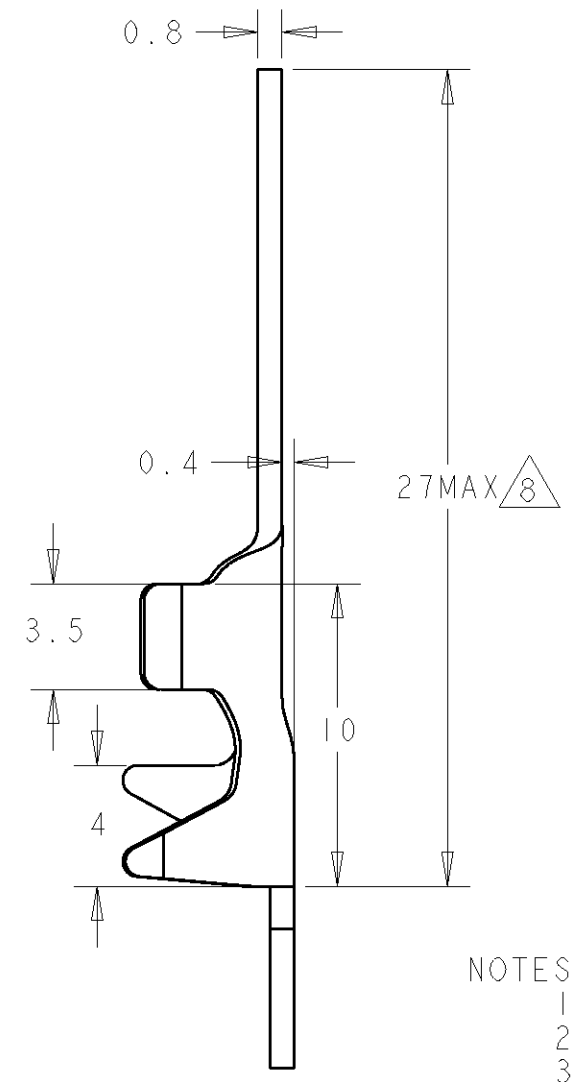
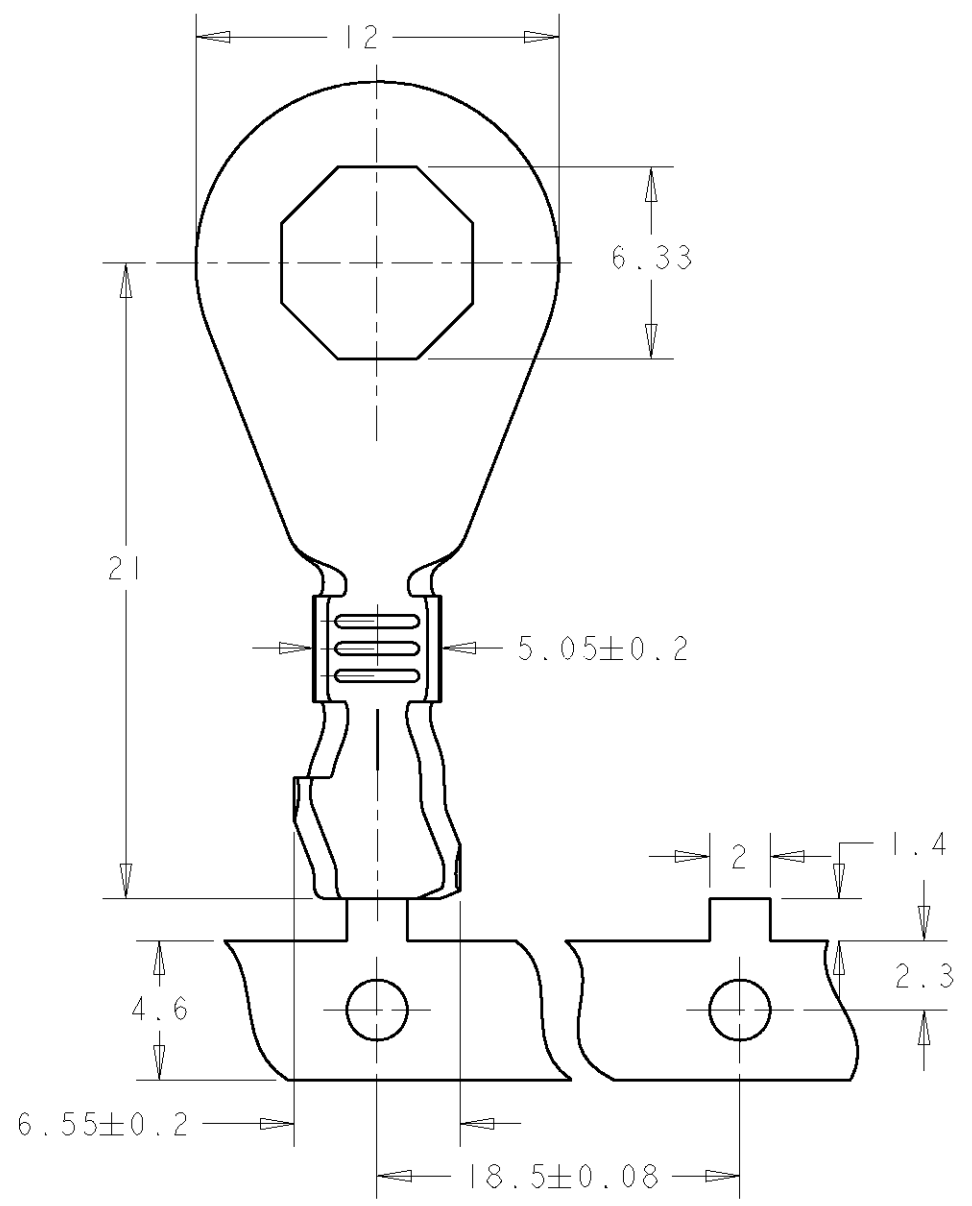


THIS DRAWING IS UNPUBLISHED. RELEASED FOR PUBLICATION 20  
 © COPYRIGHT 20 BY TYCO ELECTRONICS CORPORATION. ALL RIGHTS RESERVED.

LOC	DIST	REVISIONS				
P	LTR	DESCRIPTION	DATE	DWN	APVD	
ES	00					
	A	RELEASED	06DEC07	B.W	K.O	
	B	ECR-08-007888	24MAR08	B.W	K.O	

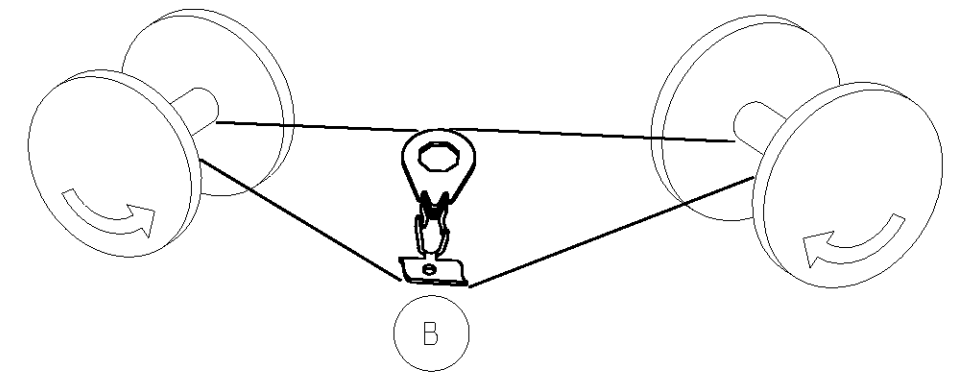


- NOTES:
- 1.TOLERANCE OF WORKPIECE EDGES ACCORDING TO DIN/ISO 13715.
  - 2.MATERIAL:CuZn30 R410 ENI654.
  - 3.SURFACE:ELECTROPLATED 1.2 TO 3.5MICRON TIN.
  - 4.WIRE CONDUCTOR CROSS SECTION:2.5 SQUARE MILLIMETER.
  - 5.TYCO ELECTRONICS PART No.:1813569-1.
  - 6.CUSTOMER PART No.:8672003266.
  - 7.TOLERANCE UNLESS OTHERWISE SPECIFIED.

DIMENSIONAL RANGE(mm)	TOLERANCE
0 TO 12	±0.1
>12	±0.2
ANGLES	±2°

8 AFTER CUT AS LOOSE PIECE THE 27MAX MUST BE SPECIFIED.

SIDE FEED  
 AFTER PLATING AFTER STAMPING



<small>THIS DRAWING IS A CONTROLLED DOCUMENT FOR TYCO ELECTRONICS CORPORATION          IT IS SUBJECT TO CHANGE AND THE CONTROLLING ENGINEERING ORGANIZATION          SHOULD BE CONTACTED FOR THE LATEST REVISION.</small>		DWN B.WAN 06DEC07	Tyco Electronics Shanghai, China	
DIMENSIONS: mm		CHK L.YIN 06DEC07	NAME TERMINAL WRG HARN	
TOLERANCES UNLESS OTHERWISE SPECIFIED: 0 PLC ±- 1 PLC ±0.1 2 PLC ±0.01 3 PLC ±0.001 4 PLC ±0.0001 ANGLES ±-		APVD K.ODA 06DEC07	RESTRICTED TO	
MATERIAL - FINISH -		PRODUCT SPEC -	SIZE A3	CAGE CODE 000779
CUSTOMER DRAWING		APPLICATION SPEC -	DRAWING NO C-1813569	REV B
		WEIGHT -	SCALE 4:1	SHEET OF