

# TPS6505xx 5-Channel Power Management IC With Two Step-Down Converters and Three Low-Input Voltage LDOs

## 1 Features

- Up To 95% Efficiency
- Output Current for DC-DC Converters:
  - TPS65053: DCDC1 = 1 A; DCDC2 = 0.6 A
  - TPS650531, TPS650532: DCDC1 = 1 A; DCDC2 = 1 A
  - TPS65058: DCDC1 = 0.6 A; DCDC2 = 1 A
- TPS65053, TPS650531, TPS650532: DC-DC Converters Externally Adjustable
- TPS65058: DCDC1 Fixed at 3.3V, DCDC2 selectable between 1.8V and 1.2V with Dynamic Voltage Scaling for Core Processor Supply
- $V_{IN}$  Range for DC-DC Converters From 2.5 V to 6 V
- 2.25-MHz Fixed Frequency Operation
- Power Save Mode at Light Load Current
- 180° Out-of-Phase Operation
- Output Voltage Accuracy in PWM Mode  $\pm 1\%$
- Total Typical 32- $\mu$ A Quiescent Current for Both DC-DC Converters
- 100% Duty Cycle for Lowest Dropout
- One General-Purpose 400-mA LDO
- Two General-Purpose 200-mA LDOs
- $V_{IN}$  Range for LDOs from 1.5 V to 6.5 V
- Output Voltage for LDOs:
  - TPS65053 / TPS650531 / TPS650532: VLDO1 and VLDO2 Externally Adjustable, VLDO3 = 1.3 V / 1.2 V / 1.5 V
  - TPS65058: VLDO1 = 3.3 V, VLDO2 selectable between 1.8V and 1.2V, VLDO2 selectable between 1.8V and 1.3V

## 2 Applications

- Cell Phones, Smart Phones
- WLAN
- PDAs, Pocket PCs, GPS
- OMAP™ and Low-Power DSP Supply
- Portable Media Players
- Digital Cameras
- Satellite Radio Modules

## 3 Description

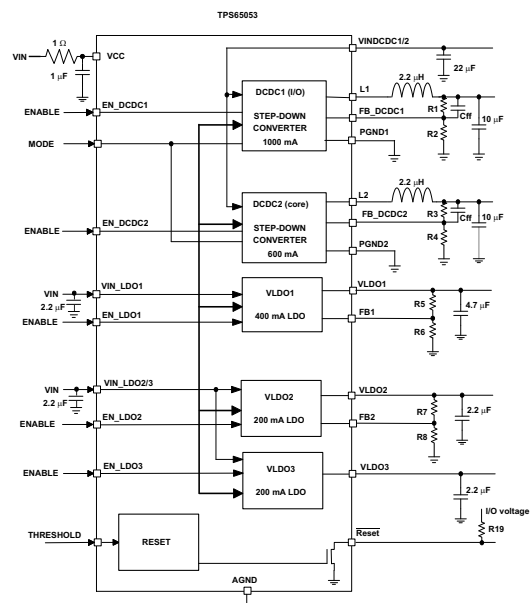
The TPS6505xx family of devices are integrated power management ICs for applications powered by one Li-Ion or Li-Polymer cell, which require multiple power rails. The TPS6505xx devices provide two highly efficient, 2.25-MHz step-down converters targeted at providing the core voltage and I/O voltage in a processor-based system. Both step-down converters enter a low power mode at light load for maximum efficiency across the widest possible range of load currents. For low noise applications the devices can be forced into fixed frequency PWM mode by pulling the MODE pin high. The TPS6505xx devices also integrate one 400-mA LDO and two 200-mA LDO voltage regulators. Each LDO operates with an input voltage range between 1.5 V and 6.5 V allowing them to be supplied from one of the step-down converters or directly from the main battery.

### Device Information<sup>(1)</sup>

PART NUMBER	PACKAGE	BODY SIZE (NOM)
TPS65053	VQFN (24)	4.00 mm x 4.00 mm
TPS650531		
TPS650532		
TPS65058		

(1) For all available packages, see the orderable addendum at the end of the datasheet.

### Typical Application Schematic



## Table of Contents

<b>1 Features</b> .....	<b>1</b>	7.3 Feature Description.....	<b>16</b>
<b>2 Applications</b> .....	<b>1</b>	7.4 Device Functional Modes.....	<b>20</b>
<b>3 Description</b> .....	<b>1</b>	<b>8 Application and Implementation</b> .....	<b>21</b>
<b>4 Revision History</b> .....	<b>2</b>	8.1 Application Information.....	<b>21</b>
<b>5 Pin Configuration and Functions</b> .....	<b>3</b>	8.2 Typical Application .....	<b>21</b>
<b>6 Specifications</b> .....	<b>5</b>	<b>9 Power Supply Recommendations</b> .....	<b>26</b>
6.1 Absolute Maximum Ratings .....	<b>5</b>	<b>10 Layout</b> .....	<b>26</b>
6.2 ESD Ratings.....	<b>5</b>	10.1 Layout Guidelines .....	<b>26</b>
6.3 Recommended Operating Conditions.....	<b>5</b>	10.2 Layout Example .....	<b>27</b>
6.4 Thermal Information .....	<b>6</b>	<b>11 Device and Documentation Support</b> .....	<b>28</b>
6.5 Dissipation Ratings .....	<b>6</b>	11.1 Device Support .....	<b>28</b>
6.6 Electrical Characteristics.....	<b>7</b>	11.2 Related Links .....	<b>28</b>
6.7 Typical Characteristics .....	<b>9</b>	11.3 Trademarks .....	<b>28</b>
<b>7 Detailed Description</b> .....	<b>13</b>	11.4 Electrostatic Discharge Caution.....	<b>28</b>
7.1 Overview .....	<b>13</b>	11.5 Glossary .....	<b>28</b>
7.2 Functional Block Diagrams .....	<b>14</b>	<b>12 Mechanical, Packaging, and Orderable Information</b> .....	<b>28</b>

## 4 Revision History

### Changes from Revision C (June 2009) to Revision D Page

- Added *ESD Ratings* table, *Feature Description* section, *Device Functional Modes*, *Application and Implementation* section, *Power Supply Recommendations* section, *Layout* section, *Device and Documentation Support* section, and *Mechanical, Packaging, and Orderable Information* section .....

**1**

### Changes from Revision B (February 2008) to Revision C Page

- Changed devices TPS650531 and TPS650532 to the Features and Ordering Information table. ....

**1**

### Changes from Revision A (September 2007) to Revision B Page

- Changed the Functional Block Diagram - DCDC1 (I/O) Step-Down Converter From: 600 mA To: 1000 mA. ....

**14**

### Changes from Original (March 2007) to Revision A Page

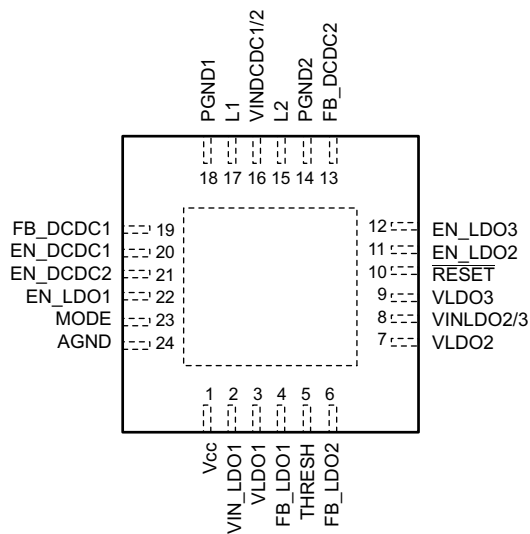
- Added Output voltage range for LDO1, LDO2 and LDO3 to the Abs Max table.....
- Changed Output voltage range for LDO1 and LDO2 In the ROC table From: Max =  $V_{INLDO1}$ ,  $V_{INLDO2}$  To: 3.6V .....

**5**

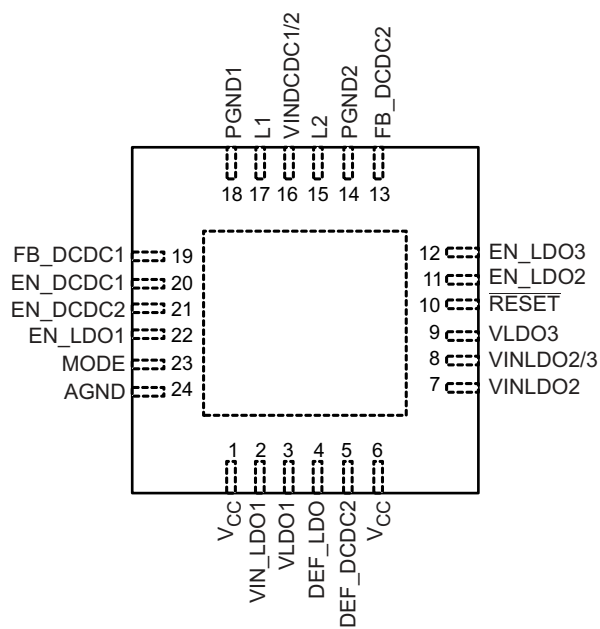
**5**

## 5 Pin Configuration and Functions

RGE Package - TPS65053x  
24 Pins  
Top View



RGE Package - TPS65058  
24 Pins  
Top View



### Pin Functions

NAME	PIN		I/O	DESCRIPTION
	TPS65053, TPS650531, TPS650532	TPS65058		
AGND	24	24	I	Analog GND, connect to PGND and PowerPAD™
DEF_DCDC2	—	5	I	Switches output voltage at DCDC2, logic HIGH = 1.8V, logic LOW = 1.2V
DEF_LDO	—	4	I	Switches output voltage at LDO2, logic HIGH = 1.8V, logic LOW = 1.2V
				Switches output voltage at LDO3, logic HIGH = 1.8V, logic LOW = 1.3V
EN_DCDC1	20	20	I	Enable Input for converter 1, active high
EN_DCDC2	21	21	I	Enable Input for converter 2, active high
EN_LDO1	22	22	I	Enable input for LDO1. Logic high enables the LDO, logic low disables the LDO.
EN_LDO2	11	11	I	Enable input for LDO2. Logic high enables the LDO, logic low disables the LDO.
EN_LDO3	12	12	I	Enable input for LDO3. Logic high enables the LDO, logic low disables the LDO.
FB_DCDC1	19	19	I	Input to adjust output voltage of converter 1 between 0.6 V and $V_I$ . Connect external resistor divider between VOUT1, this pin and GND.
FB_DCDC2	13	13	I	Input to adjust output voltage of converter 2 between 0.6V and $V_{IN}$ . Connect external resistor divider between VOUT2, this pin and GND.
FB_LDO1	4	—	I	Feedback input for the external voltage divider.
FB_LDO2	6	—	I	Feedback input for the external voltage divider.
L1	17	17	O	Switch pin of converter 1. Connected to Inductor
L2	15	15	O	Switch Pin of converter 2. Connected to Inductor.
MODE	23	23	I	Select between Power Save Mode and forced PWM Mode for DCDC1 and DCDC2. In Power Save Mode, PFM is used at light loads, PWM for higher loads. If PIN is set to high level, forced PWM Mode is selected. If Pin has low level, then the device operates in Power Save Mode.
PGND1	18	18	I	GND for converter 1
PGND2	14	14	I	GND for converter 2
PowerPAD™	—	—	—	Connect to GND
$V_{CC}$	1	1, 6	I	Power supply for digital and analog circuitry of DCDC1, DCDC2 and LDOs. This pin must be connected to the same voltage supply as VINDCDC1/2.
VINDCDC1/2	16	16	I	Input voltage for VDCDC1 and VDCDC2 step-down converter. This must be connected to the same voltage supply as $V_{CC}$ .
VINLDO1	2	2	I	Input voltage for LDO1
VINLDO2/3	8	8	I	Input voltage for LDO2 and LDO3
VLDO1	3	3	O	Output voltage of LDO1
VLDO2	7	7	O	Output voltage of LDO2
VLDO3	9	9	O	Output voltage of LDO3
THRESHOLD	5	—	I	Reset input
RESET	10	10	O	Open drain active low reset output, 100 ms reset delay time.

## 6 Specifications

### 6.1 Absolute Maximum Ratings

over operating free-air temperature range (unless otherwise noted)<sup>(1)</sup>

		MIN	MAX	UNIT
V <sub>I</sub>	Input voltage on all pins except AGND, PGND, and EN_LDO1 pins with respect to AGND	-0.3	7	V
	Input voltage on EN_LDO1 pin with respect to AGND	-0.3	V <sub>CC</sub> + 0.5	V
I <sub>I</sub>	Current at VINDCDC1/2, L1, PGND1, L2, PGND2	1800	1800	mA
	Current at all other pins	1000	1000	mA
V <sub>O</sub>	Output voltage for LDO1, LDO2 and LDO3	-0.3	4.0	V
T <sub>A</sub>	Operating free-air temperature	-40	85	°C
T <sub>J</sub>	Maximum junction temperature		125	°C
T <sub>stg</sub>	Storage temperature	-65	150	°C

- (1) Stresses beyond those listed under *Absolute Maximum Ratings* may cause permanent damage to the device. These are stress ratings only and functional operation of the device at these or any other conditions beyond those indicated under *Recommended Operating Conditions* is not implied. Exposure to absolute-maximum-rated conditions for extended periods may affect device reliability.

### 6.2 ESD Ratings

		VALUE	UNIT
V <sub>(ESD)</sub>	Electrostatic discharge	Human-body model (HBM), per ANSI/ESDA/JEDEC JS-001 <sup>(1)</sup>	±2000
		Charged-device model (CDM), per JEDEC specification JESD22-C101 <sup>(2)</sup>	±500
			V

- (1) JEDEC document JEP155 states that 500-V HBM allows safe manufacturing with a standard ESD control process. Manufacturing with less than 500-V HBM is possible with the necessary precautions.
- (2) JEDEC document JEP157 states that 250-V CDM allows safe manufacturing with a standard ESD control process. Manufacturing with less than 250-V CDM is possible with the necessary precautions.

### 6.3 Recommended Operating Conditions

		MIN	NOM	MAX	UNIT
V <sub>INDCDC1/2</sub>	Input voltage range for step-down converters	2.5		6	V
V <sub>DCDC1</sub>	Output voltage range for VDCDC1 step-down converter for externally adjustable versions	0.6		V <sub>INDCDC1</sub>	V
V <sub>DCDC2</sub>	Output voltage range for VDCDC2 step-down converter for externally adjustable versions	0.6		V <sub>INDCDC2</sub>	V
V <sub>INLDO1</sub> , V <sub>INLDO2/3</sub>	Input voltage range for LDOs	1.5		6.5	V
V <sub>LDO1-2</sub>	Output voltage range for LDO1 and LDO2 for externally adjustable versions	1		3.6	V
	Output voltage for LDO1 on TPS65058		3.3		V
	Output voltage for LDO2 on TPS65058 (DEF_LDO = 1 / 0)		1.8 / 1.2		V
V <sub>LDO3</sub>	Output voltage for LDO3 on TPS65053		1.3		V
	Output voltage for LDO3 on TPS650531		1.2		
	Output voltage for LDO3 on TPS650532		1.5		
	Output voltage for LDO3 on TPS65058 (DEF_LDO = 1 / 0)		1.8 / 1.3		V
I <sub>OUTDCDC1</sub>	Output current at L1 for TPS65053, TPS650531, TPS650532			1000	mA
	Output current at L1 for TPS65058			600	mA
L1	Inductor at L1 <sup>(1)</sup>	1.5	2.2		μH
C <sub>INDCDC1/2</sub>	Input capacitor at V <sub>INDCDC1/2</sub> <sup>(1)</sup>	22			μF
C <sub>OUTDCDC1</sub>	Output capacitor at V <sub>DCDC1</sub> <sup>(1)</sup>	10	22		μF
I <sub>OUTDCDC2</sub>	Output current at L2 for TPS65053			600	mA
	Output current at L2 for TPS650531, TPS650532, TPS65058			1000	

- (1) See the *Application Information* section of this data sheet for more details.

## Recommended Operating Conditions (continued)

		MIN	NOM	MAX	UNIT
L2	Inductor at L2 <sup>(1)</sup>	1.5	2.2		μH
C <sub>OUTDCDC2</sub>	Output capacitor at V <sub>DCDC2</sub> <sup>(1)</sup>	10	22		μF
C <sub>VCC</sub>	Input capacitor at VCC <sup>(1)</sup>	1			μF
C <sub>in1-2</sub>	Input capacitor at VINLDO1, VINLDO2/3 <sup>(1)</sup>	2.2			μF
C <sub>OUT1</sub>	Output capacitor at VLDO1 <sup>(1)</sup>	4.7			μF
C <sub>OUT2-3</sub>	Output capacitor at VLDO2-3 <sup>(1)</sup>	2.2			μF
I <sub>LDO1</sub>	Output current at VLDO1			400	mA
I <sub>LDO2,3</sub>	Output current at VLDO2,3			200	mA
T <sub>A</sub>	Operating ambient temperature range	-40		85	°C
T <sub>J</sub>	Operating junction temperature range	-40		125	°C
R <sub>CC</sub>	Resistor from battery voltage to V <sub>CC</sub> used for filtering <sup>(2)</sup>		1	10	Ω

(2) Up to 2 mA can flow into V<sub>CC</sub> when both converters are running in PWM, this resistor causes the UVLO threshold to be shifted accordingly.

## 6.4 Thermal Information

THERMAL METRIC <sup>(1)</sup>		TPS65053	UNIT
		VQFN	
		24 PINS	
R <sub>θJA</sub>	Junction-to-ambient thermal resistance	31.4	°C/W
R <sub>θJC(top)</sub>	Junction-to-case (top) thermal resistance	29.0	
R <sub>θJB</sub>	Junction-to-board thermal resistance	8.2	
ψ <sub>JT</sub>	Junction-to-top characterization parameter	0.3	
ψ <sub>JB</sub>	Junction-to-board characterization parameter	8.2	
R <sub>θJC(bot)</sub>	Junction-to-case (bottom) thermal resistance	1.6	

(1) For more information about traditional and new thermal metrics, see the *IC Package Thermal Metrics* application report, [SPRA953](#).

## 6.5 Dissipation Ratings

PACKAGE	R <sub>θJA</sub> <sup>(1)</sup>	T <sub>A</sub> ≤ 25°C POWER RATING	DERATING FACTOR ABOVE T <sub>A</sub> = 25°C	T <sub>A</sub> = 70°C POWER RATING	T <sub>A</sub> = 85°C POWER RATING
RGE	35 K/W	2.8 W	28 mW/K	1.57 W	1.14 W

(1) The thermal resistance junction to case of the RGE package is 2 K/W measured on a high K board.

## 6.6 Electrical Characteristics

$V_{CC} = V_{INDCDC1/2} = 3.6V$ ,  $EN = V_{CC}$ ,  $MODE = GND$ ,  $L = 2.2\mu H$ ,  $C_{OUT} = 22\mu F$ ,  $T_A = -40^\circ C$  to  $85^\circ C$  typical values are at  $T_A = 25^\circ C$  (unless otherwise noted).

PARAMETER		TEST CONDITIONS		MIN	TYP	MAX	UNIT	
<b>SUPPLY CURRENT</b>								
$V_{CC}$	Input voltage range			2.5		6	V	
$I_Q$	Operating quiescent current Total current into $V_{CC}$ , $V_{INDCDC1/2}$ , $V_{INLDO1}$ , $V_{INLDO2/3}$	One converter, $I_{OUT} = 0$ mA, PFM mode enabled (Mode = GND) device not switching, $EN_{DCDC1} = V_{in}$ OR $EN_{DCDC2} = V_{in}$ ; $EN_{LDO1} = EN_{LDO2} = EN_{LDO3} = GND$			20	30	$\mu A$	
		Two converters, $I_{OUT} = 0$ mA, PFM mode enabled (Mode = 0) device not switching, $EN_{DCDC1} = V_{in}$ AND $EN_{DCDC2} = V_{in}$ ; $EN_{LDO1} = EN_{LDO2} = EN_{LDO3} = GND$			32	40	$\mu A$	
		One converter, $I_{OUT} = 0$ mA, PFM mode enabled (Mode = GND) device not switching, $EN_{DCDC1} = V_{in}$ OR $EN_{DCDC2} = V_{in}$ ; $EN_{LDO1} = EN_{LDO2} = EN_{LDO3} = V_{in}$			145	210	$\mu A$	
$I_Q$	Operating quiescent current into $V_{CC}$	One converter, $I_{OUT} = 0$ mA, Switching with no load (Mode = Vin), PWM operation $EN_{DCDC1} = V_{in}$ OR $EN_{DCDC2} = V_{in}$ ; $EN_{LDO1} = EN_{LDO2} = EN_{LDO3} = GND$			0.85		mA	
		Two converters, $I_{OUT} = 0$ mA, Switching with no load (Mode = Vin), PWM operation $EN_{DCDC1} = V_{in}$ AND $EN_{DCDC2} = V_{in}$ ; $EN_{LDO1} = EN_{LDO2} = EN_{LDO3} = GND$			1.25		mA	
$I_{(SD)}$	Shutdown current	$EN_{DCDC1} = EN_{DCDC2} = GND$ $EN_{LDO1} = EN_{LDO2} = EN_{LDO3} = GND$			9	12	$\mu A$	
UVLO	Undervoltage lockout threshold for DCDC converters and LDOs	Voltage at $V_{CC}$			1.8	2	V	
<b>EN<sub>DCDC1</sub>, EN<sub>DCDC2</sub>, EN<sub>LDO1</sub>, EN<sub>LDO2</sub>, EN<sub>LDO3</sub>, MODE</b>								
$V_{IH}$	High-level input voltage	MODE, $EN_{DCDC1}$ , $EN_{DCDC2}$ , $EN_{LDO1}$ , $EN_{LDO2}$ , $EN_{LDO3}$		1.2		$V_{CC}$	V	
$V_{IL}$	Low-level input voltage	MODE, $EN_{DCDC1}$ , $EN_{DCDC2}$ , $EN_{LDO1}$ , $EN_{LDO2}$ , $EN_{LDO3}$		0		0.4	V	
$I_{IN}$	Input bias current	MODE, $EN_{DCDC1}$ , $EN_{DCDC2}$ , $EN_{LDO1}$ , $EN_{LDO2}$ , $EN_{LDO3}$ , MODE = GND or VIN			0.01	1	$\mu A$	
<b>POWER SWITCH</b>								
$r_{DS(on)}$ High Side	P-channel MOSFET on resistance for TPS65053, TPS650531, TPS650532	DCDC1, DCDC2	$V_{INDCDC1/2} = 3.6$ V		280	630	m $\Omega$	
			$V_{INDCDC1/2} = 2.5$ V		400			
	P-channel MOSFET on resistance for TPS65058	DCDC1, DCDC2	$V_{INDCDC1/2} = 3.6$ V		250	350	m $\Omega$	
			$V_{INDCDC1/2} = 2.5$ V		380	500		
$I_{LD\_PMOS}$	P-channel leakage current	$V_{(DS)} = 6$ V				1	$\mu A$	
$r_{DS(on)}$ Low-Side	N-channel MOSFET on resistance for TPS65053, TPS650531, TPS650532	DCDC1, DCDC2	$V_{INDCDC1/2} = 3.6$ V		220	450	m $\Omega$	
			$V_{INDCDC1/2} = 2.5$ V		320			
	N-channel MOSFET on resistance for TPS65058	DCDC1, DCDC2	$V_{INDCDC1/2} = 3.6$ V		180	250	m $\Omega$	
			$V_{INDCDC1/2} = 2.5$ V		250			
$I_{LK\_NMOS}$	N-channel leakage current	$V_{(DS)} = 6$ V			7	10	$\mu A$	
$I_{(LIMF)}$	Forward Current Limit PMOS (High-Side) and NMOS (Low side)	DCDC1 (TPS65053, TPS650531, TPS650532)	$2.5$ V $\leq V_{IN} \leq 6$ V		1.19	1.4	1.65	A
		DCDC1 (TPS65058)			0.85	1	1.15	
		DCDC2 (TPS65053)			0.85	1	1.15	
		DCDC2 (TPS650531, TPS650532, TPS65058)			1.19	1.4	1.65	
$T_{SD}$	Thermal shutdown	Increasing junction temperature			150		$^\circ C$	
	Thermal shutdown hysteresis	Decreasing junction temperature			20		$^\circ C$	

## Electrical Characteristics (continued)

$V_{CC} = V_{INDCDC1/2} = 3.6V$ ,  $EN = V_{CC}$ ,  $MODE = GND$ ,  $L = 2.2\mu H$ ,  $C_{OUT} = 22\mu F$ ,  $T_A = -40^\circ C$  to  $85^\circ C$  typical values are at  $T_A = 25^\circ C$  (unless otherwise noted).

PARAMETER		TEST CONDITIONS	MIN	TYP	MAX	UNIT	
<b>OSCILLATOR</b>							
$f_{SW}$	Oscillator frequency		2.025	2.25	2.475	MHz	
<b>OUTPUT</b>							
$V_{OUT}$	Output voltage range for externally adjustable versions		0.6		$V_{IN}$	V	
$V_{ref}$	Reference voltage			600		mV	
$V_{OUT}$	DC output voltage accuracy	DCDC1, DCDC2 <sup>(1)</sup>	$V_{IN} = 2.5V$ to $6V$ , Mode = GND, PFM operation, $0mA < I_{OUT} < I_{OUTMAX}$	-2%	0	2%	
			$V_{IN} = 2.5V$ to $6V$ , Mode = $V_{IN}$ , PWM operation, $0mA < I_{OUT} < I_{OUTMAX}$	-1%	0	1%	
$\Delta V_{OUT}$	Power save mode ripple voltage <sup>(2)</sup>	$I_{OUT} = 1mA$ , Mode = GND, $V_O = 1.3V$ , Bandwidth = 20 MHz		25		mV <sub>PP</sub>	
$t_{Start}$	Start-up time	Time from active EN to Start switching		170		$\mu s$	
$t_{Ramp}$	$V_{OUT}$ Ramp up Time	Time to ramp from 5% to 95% of $V_{OUT}$		750		$\mu s$	
	$\overline{RESET}$ delay time	Input voltage at threshold pin rising	80	100	120	ms	
$V_{OL}$	$\overline{RESET}$ output low voltage	$I_{OL} = 1mA$ , $V_{threshold} < 1V$			0.2	V	
	$\overline{RESET}$ sink current			1		mA	
	$\overline{RESET}$ output leakage current	( $V_{threshold} > 1V$ for TPS65053, TPS650531, TPS650532)		10		nA	
$V_{th}$	Threshold voltage TPS65053, TPS650531, TPS650532	falling voltage	0.98	1	1.02	V	
<b>VLD01, VLD02, VLD03 LOW DROPOUT REGULATORS</b>							
$V_{INLDO}$	Input voltage range for LDO1, LDO2, LDO3		1.5		6.5	V	
$V_{LDO1}$	LDO1 output voltage range for TPS65053, TPS650531, TPS650532		1		3.6	V	
	LDO1 output voltage for TPS65058			3.3		V	
$V_{LDO2}$	LDO2 output voltage range for TPS65053, TPS650531, TPS650532		1		3.6	V	
	LDO2 output voltage for TPS65058	DEF_LDO = 1 / 0		1.8 / 1.2		V	
$V_{LDO3}$	LDO3 output voltage for TPS65053			1.3		V	
	LDO3 output voltage for TPS650531			1.2			
	LDO3 output voltage for TPS650532			1.5			
	LDO3 output voltage for TPS65058	DEF_LDO = 1 / 0		1.8 / 1.3			
$V_{(FB)}$	Feedback voltage for FB_LDO1, FB_LDO2	for externally adjustable versions		1		V	
$I_O$	Maximum output current for LDO1		400			mA	
	Maximum output current for LDO2, LDO3		200			mA	
$I_{(SC)}$	LDO1 short-circuit current limit	$V_{LDO1} = GND$			850	mA	
	LDO2 & LDO3 short-circuit current limit	$V_{LDO2} = GND$ , $V_{LDO3} = GND$			420	mA	
	Dropout voltage at LDO1	$I_O = 400mA$ , $V_{INLDO1} = 1.8V$			280	mV	
	Dropout voltage at LDO2, LDO3	$I_O = 200mA$ , $V_{INLDO2/3} = 1.8V$			280	mV	
	Output voltage accuracy for LDO1, LDO2, LDO3 <sup>(1)</sup>	$I_O = 10mA$	-2%		1%		
	Line regulation for LDO1, LDO2, LDO3	$V_{INLDO1,2} = V_{LDO1,2} + 0.5V$ (min. 2.5V) to 6.5V, $I_O = 10mA$	-1%		1%		
	Load regulation for LDO1, LDO2, LDO3	$I_O = 0mA$ to 400 mA for LDO1 $I_O = 0mA$ to 200 mA for LDO2, LDO3	-1%		1%		
	Regulation time for LDO1, LDO2, LDO3	Load change from 10% to 90%		25		$\mu s$	
	Regulation time for LDO1, LDO2, LDO3 for TPS65058	Load change from 10% to 90%		10		$\mu s$	
PSRR	Power Supply Rejection Ratio	$f = 10kHz$ ; $I_O = 50mA$ ; $V_i = V_O + 1V$					

(1) Output voltage specification does not include tolerance of external voltage programming resistors.

(2) In Power Save Mode, operation is typically entered at  $I_{PSM} = V_{IN} / 32 \Omega$ .



## Electrical Characteristics (continued)

$V_{CC} = V_{INDCDC1/2} = 3.6V$ ,  $EN = V_{CC}$ ,  $MODE = GND$ ,  $L = 2.2\mu H$ ,  $C_{OUT} = 22\mu F$ ,  $T_A = -40^\circ C$  to  $85^\circ C$  typical values are at  $T_A = 25^\circ C$  (unless otherwise noted).

PARAMETER		TEST CONDITIONS	MIN	TYP	MAX	UNIT
$R_{(DIS)}$	Internal discharge resistor at VLDO1, VLDO2, VLDO3	Active when LDO is disabled		350		$\Omega$
	Internal discharge resistor at VLDO1, VLDO2, VLDO3 for TPS65058	Active when LDO is disabled		300		$\Omega$
Thermal shutdown		Increasing junction temperature		140		$^\circ C$
Thermal shutdown hysteresis		Decreasing junction temperature		20		$^\circ C$

## 6.7 Typical Characteristics

Table 1. Table Of Graphs for TPS6505xx

			FIGURE
$\eta$	Efficiency converter 1	vs Load current PWM/PFM mode	Figure 1
$\eta$	Efficiency converter 1	vs Load current PWM mode	Figure 2
$\eta$	Efficiency converter 2	vs Load current PWM/PFM mode	Figure 3
$\eta$	Efficiency converter 2	vs Load current PWM mode	Figure 4
	Output voltage ripple in PFM mode	Scope plot	Figure 5
	Output voltage ripple in PWM mode	Scope plot	Figure 6
	DCDC1, DCDC2, LDO1 startup timing	Scope plot	Figure 7
	LDO1 to LDO3 startup timing	Scope plot	Figure 8
	DCDC1 Load transient response in PWM mode	Scope plot	Figure 9
	DCDC1 Load transient response in PFM mode	Scope plot	Figure 10
	DCDC2 Load transient response in PWM mode	Scope plot	Figure 11
	DCDC2 Load transient response in PFM mode	Scope plot	Figure 12
	DCDC1 Line transient response in PWM mode	Scope plot	Figure 13
	DCDC2 Line transient response in PWM mode	Scope plot	Figure 14
	LDO1 Load transient response	Scope plot	Figure 15
	LDO3 Load transient response	Scope plot	Figure 16
	LDO1 Line transient response	Scope plot	Figure 17
	LDO1 Power supply rejection ratio	vs frequency	Figure 18

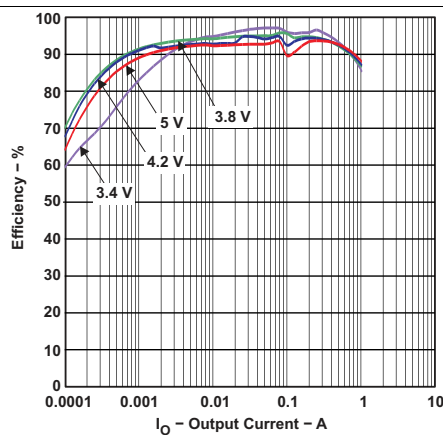


Figure 1. Efficiency vs Output Current

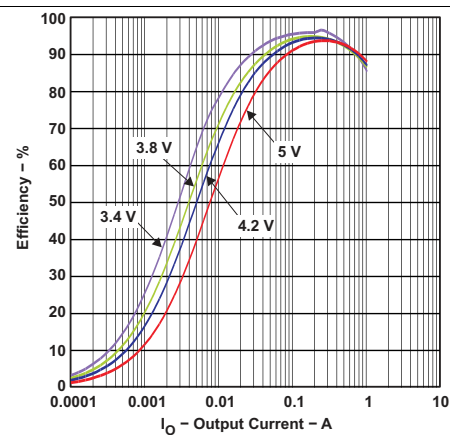


Figure 2. Efficiency vs Output Current

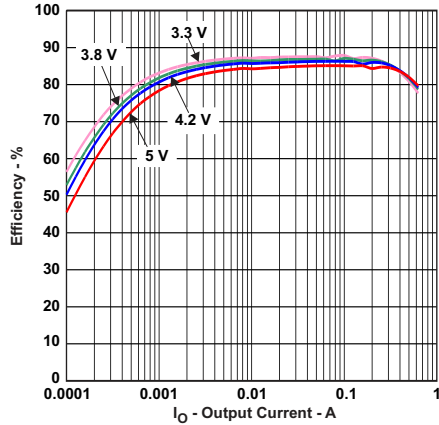


Figure 3. Efficiency vs Output Current

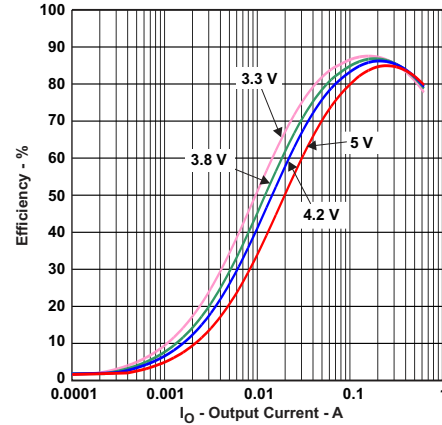


Figure 4. Efficiency vs Output Current

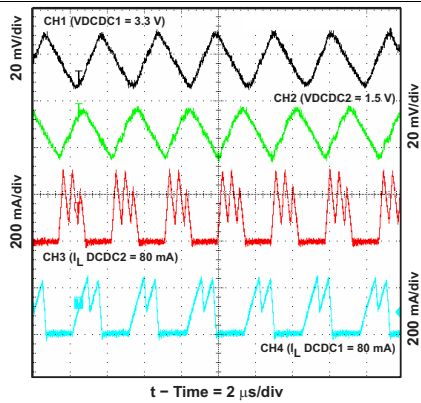


Figure 5. Output Voltage Ripple PWM/PFM Mode = Low

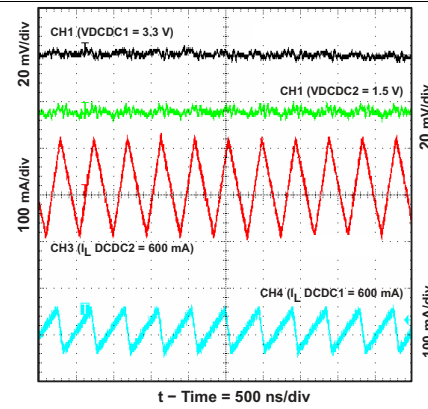


Figure 6. Output Voltage Ripple PWM Mode = High

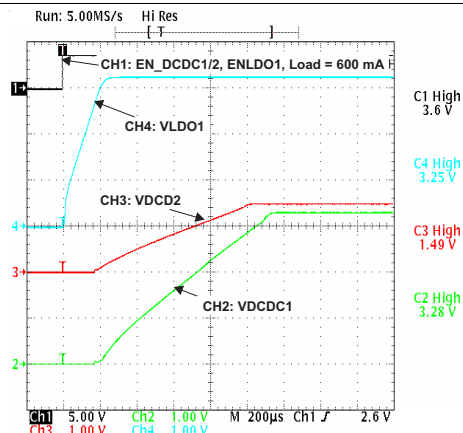


Figure 7. DCDC1 Startup Timing

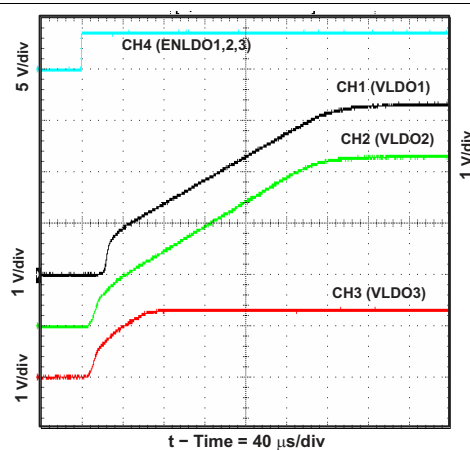


Figure 8. LDO1 to LDO3 Startup Timing

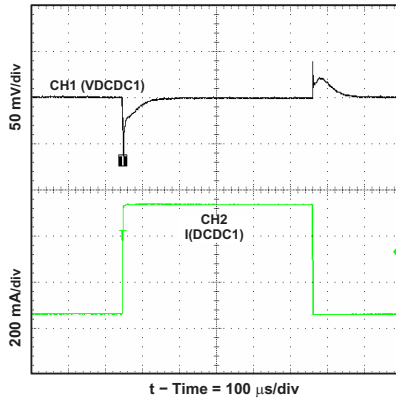


Figure 9. DCDC1 Load Transient Response

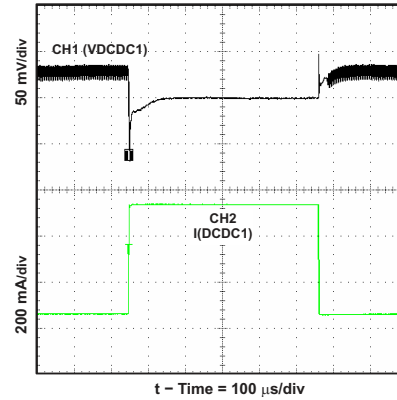


Figure 10. DCDC1 Load Transient Response

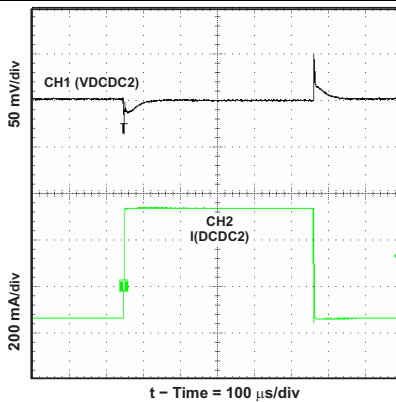


Figure 11. DCDC2 Load Transient Response

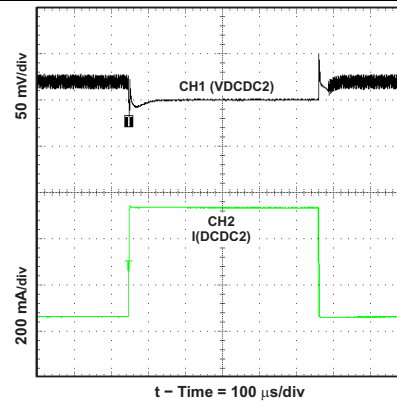


Figure 12. DCDC2 Load Transient Response

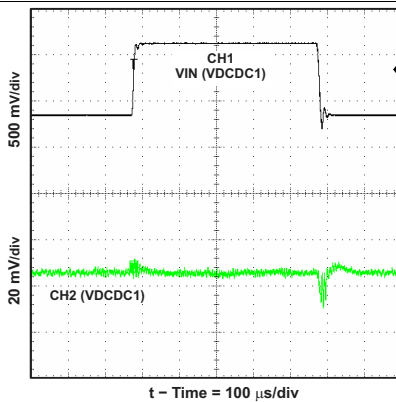


Figure 13. DCDC1 Line Transient Response

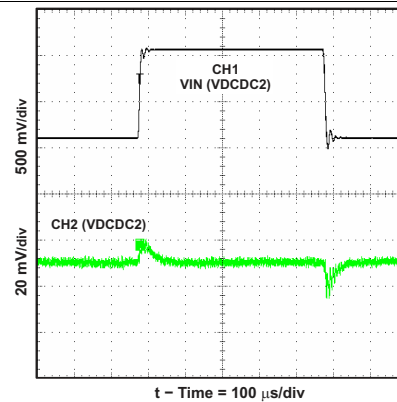


Figure 14. DCDC2 Line Transient Response

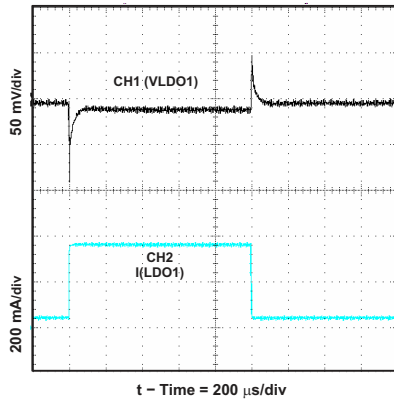


Figure 15. LDO1 Load Transient Response

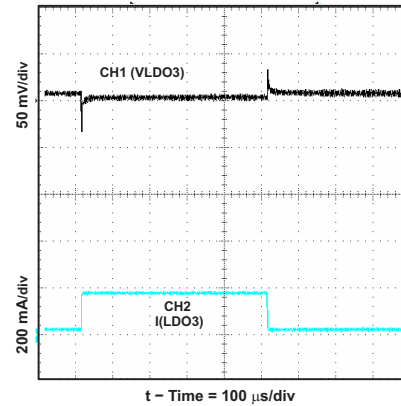


Figure 16. LDO3 Load Transient Response

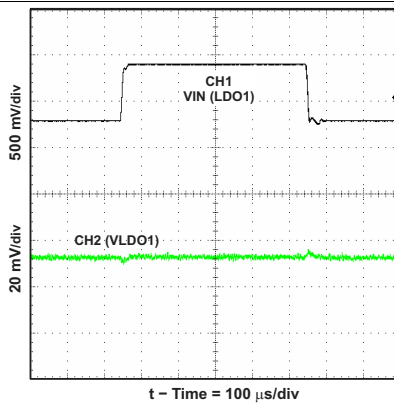


Figure 17. LDO1 Line Transient Response

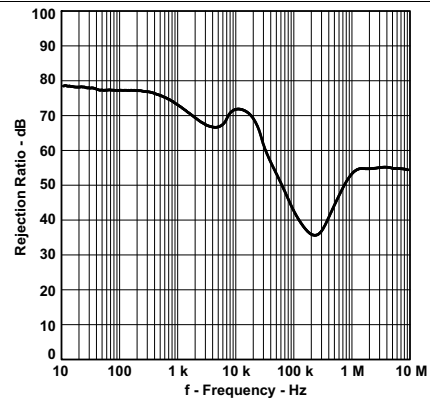


Figure 18. LDO1 Power Supply Rejection Ratio vs Frequency

## 7 Detailed Description

### 7.1 Overview

The TPS6505xx include two synchronous step-down converters. The converters operate with 2.25 MHz fixed frequency pulse width modulation (PWM) at moderate to heavy load currents. At light load currents the converters automatically enter Power Save Mode and operate with PFM (Pulse Frequency Modulation).

During PWM operation the converters use a unique fast response voltage mode controller scheme with input voltage feed-forward to achieve good line and load regulation allowing the use of small ceramic input and output capacitors. At the beginning of each clock cycle initiated by the clock signal, the P-channel MOSFET switch is turned on and the inductor current ramps up until the comparator trips and the control logic turns off the switch. The current limit comparator will also turn off the switch in case the current limit of the P-channel switch is exceeded. After the adaptive dead time prevents shoot through current, the N-channel MOSFET rectifier is turned on and the inductor current ramps down. The next cycle is initiated by the clock signal again turning off the N-channel rectifier and turning on the P-channel switch.

The two DC-DC converters operate synchronized to each other, with converter 1 as the master. A 180 ° phase shift between Converter 1 and Converter 2 decreases the input RMS current. Therefore smaller input capacitors can be used.

The converters output voltage is set by an external resistor divider connected to FB\_DCDC1 or FB\_DCDC2, respectively. See [Application and Implementation](#) for more details.

## 7.2 Functional Block Diagrams

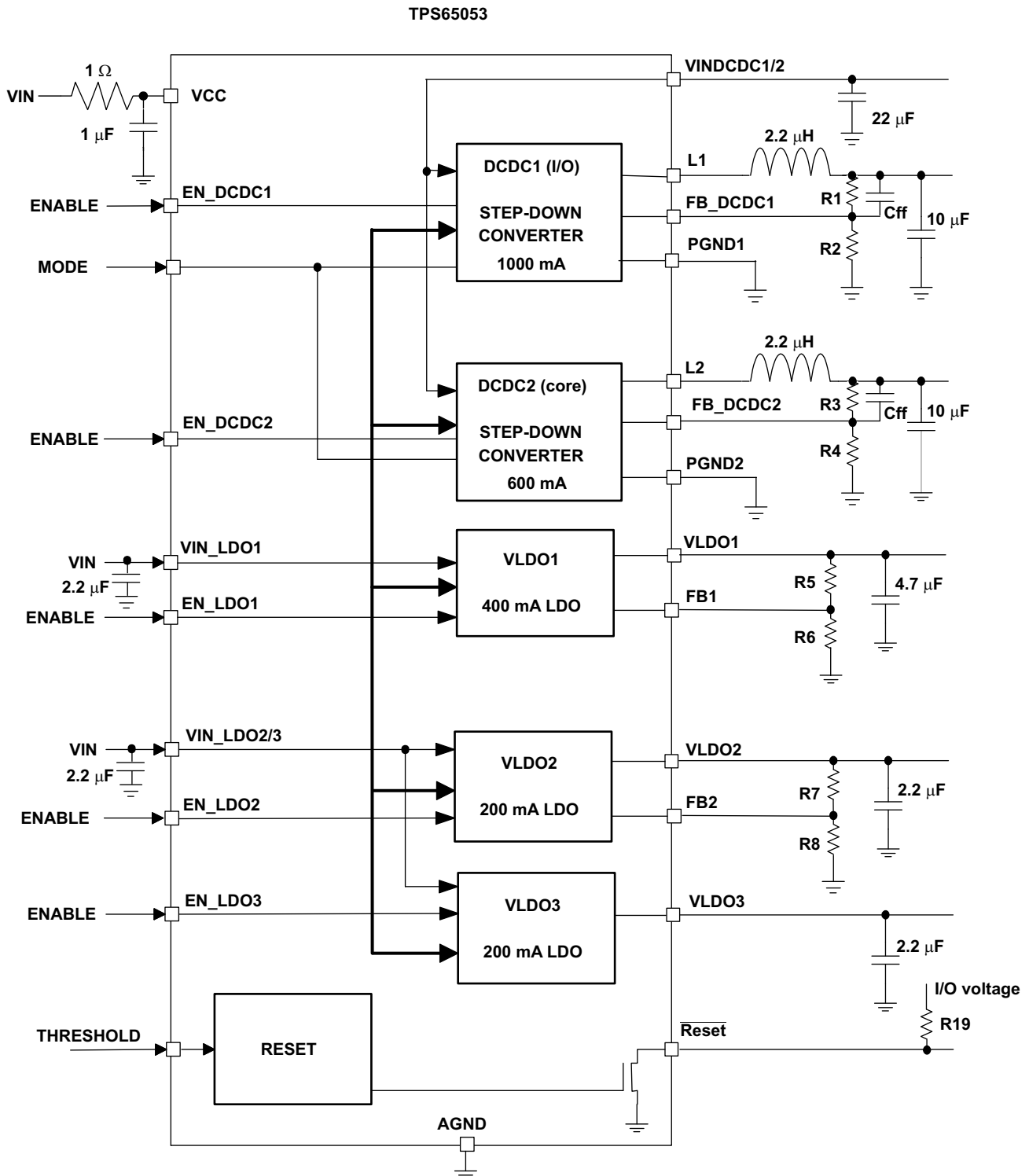


Figure 19. TPS65053 Functional Block Diagram

Functional Block Diagrams (continued)

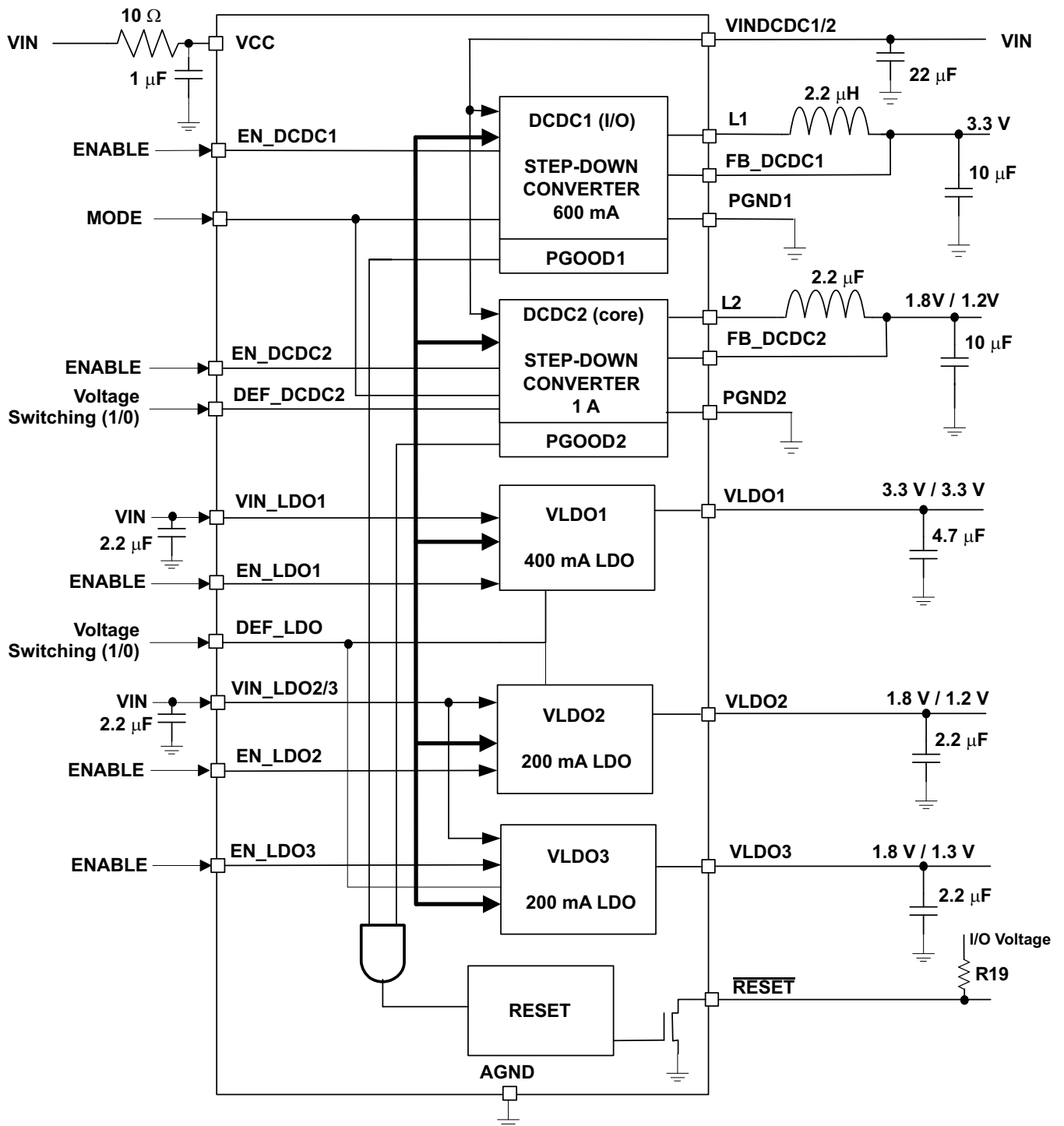


Figure 20. TPS65058 Functional Block Diagram

## 7.3 Feature Description

### 7.3.1 Power Save Mode

The Power Save Mode is enabled with Mode Pin set to low. If the load current decreases, the converters will enter Power Save Mode operation automatically. During Power Save Mode the converters operate with reduced switching frequency in PFM mode and with a minimum quiescent current to maintain high efficiency. The converter will position the output voltage typically 1% above the nominal output voltage. This voltage positioning feature minimizes voltage drops caused by a sudden load step.

In order to optimize the converter efficiency at light load the average current is monitored and if in PWM mode the inductor current remains below a certain threshold, then Power Save Mode is entered. The typical threshold can be calculated according to:

**Average output current threshold to enter PFM mode:**

$$I_{\text{PFM\_enter}} = \frac{V_{\text{IN\_DCDC}}}{32\Omega} \quad (1)$$

**Average output current threshold to leave PFM mode:**

$$I_{\text{PFM\_leave}} = \frac{V_{\text{IN\_DCDC}}}{24\Omega} \quad (2)$$

During the Power Save Mode the output voltage is monitored with a comparator. As the output voltage falls below the skip comparator threshold (skip comp) of  $V_{\text{OUTnominal}} + 1\%$ , the P-channel switch will turn on and the converter effectively delivers a constant current as defined above. If the load is below the delivered current then the output voltage will rise until the same threshold is crossed again, whereupon all switching activity ceases, hence reducing the quiescent current to a minimum until the output voltage has dropped below the threshold again. If the load current is greater than the delivered current then the output voltage will fall until it crosses the skip comparator low (Skip Comp Low) threshold set to 1% below nominal  $V_{\text{out}}$ , whereupon Power Save Mode is exited and the converter returns to PWM mode.

These control methods reduce the quiescent current typically to 12µA per converter and the switching frequency to a minimum thereby achieving the highest converter efficiency. The PFM mode operates with very low output voltage ripple. The ripple depends on the comparator delay and the size of the output capacitor; increasing capacitor values will make the output ripple tend to zero.

The Power Save Mode can be disabled by driving the MODE pin high. Both converters will operate in fixed PWM mode. Power Save Mode Enable/Disable applies to both converters.

#### 7.3.1.1 Dynamic Voltage Positioning

This feature reduces the voltage under/overshoots at load steps from light to heavy load and vice versa. It is activated in Power Save Mode operation when the converter runs in PFM Mode. It provides more headroom for both the voltage drop at a load step increase and the voltage increase at a load throw-off. This improves load transient behavior.

At light loads, in which the converters operate in PFM Mode, the output voltage is regulated typically 1% higher than the nominal value. In case of a load transient from light load to heavy load, the output voltage will drop until it reaches the skip comparator low threshold set to  $-1\%$  below the nominal value and enters PWM mode. During a load throw off from heavy load to light load, the voltage overshoot is also minimized due to active regulation turning on the N-channel switch.



## Feature Description (continued)

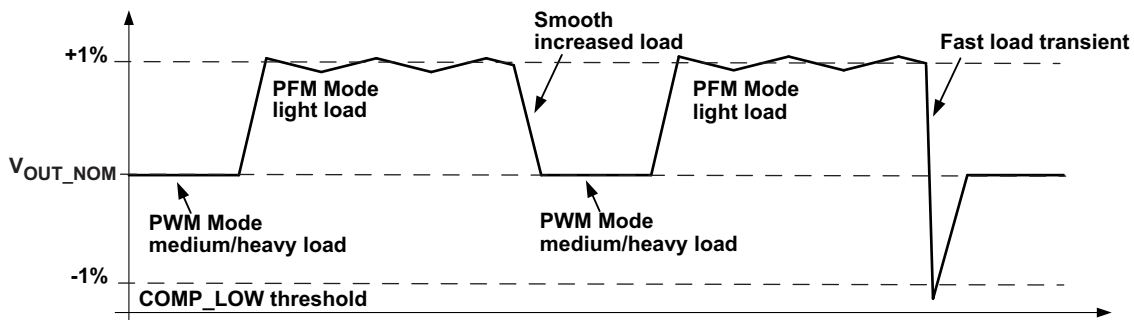


Figure 21. Dynamic Voltage Positioning

### 7.3.1.2 Soft Start

The two converters have an internal soft start circuit that limits the inrush current during start-up. During soft start, the output voltage ramp up is controlled as shown in Figure 22.

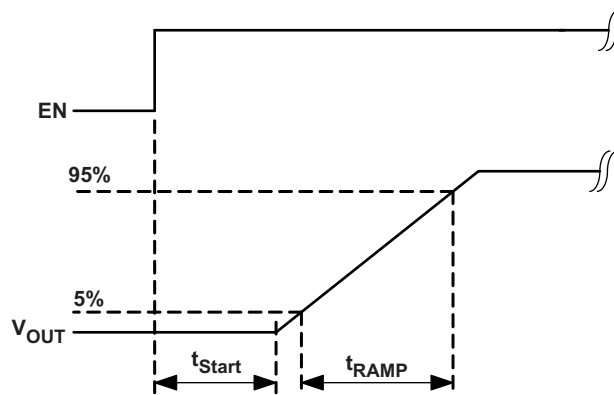


Figure 22. Soft Start

### 7.3.1.3 100% Duty Cycle Low Dropout Operation

The converters offer a low input to output voltage difference while still maintaining operation with the use of the 100% duty cycle mode. In this mode the P-channel switch is constantly turned on. This is particularly useful in battery-powered applications to achieve longest operation time by taking full advantage of the whole battery voltage range, i.e. The minimum input voltage to maintain regulation depends on the load current and output voltage and can be calculated as:

$$V_{in\_min} = V_{out\_max} + I_{out\_max} \times (R_{DS(on)\_max} + R_L)$$

where

- $I_{out\_max}$  = maximum output current plus inductor ripple current
- $R_{DS(on)\_max}$  = maximum P-channel switch  $r_{DS(on)}$
- $R_L$  = DC resistance of the inductor
- $V_{out\_max}$  = nominal output voltage plus maximum output voltage tolerance (3)

With decreasing load current, the device automatically switches into pulse skipping operation in which the power stage operates intermittently based on load demand. By running cycles periodically the switching losses are minimized and the device runs with a minimum quiescent current maintaining high efficiency.

In power save mode the converter only operates when the output voltage trips below its nominal output voltage. It ramps up the output voltage with several pulses and goes again into power save mode once the output voltage exceeds the nominal output voltage.

## Feature Description (continued)

### 7.3.1.4 Undervoltage Lockout

The undervoltage lockout circuit prevents the device from malfunctioning by disabling the converter at low input voltages and from excessive discharge of the battery. The undervoltage lockout threshold is typically 1.8 V, max 2 V.

### 7.3.2 Mode Selection

The MODE pin allows mode selection between forced PWM Mode and power Save Mode for both converters. Connecting this pin to GND enables the automatic PWM and power save mode operation. The converters operate in fixed frequency PWM mode at moderate to heavy loads and in the PFM mode during light loads, maintaining high efficiency over a wide load current range.

Pulling the MODE pin high forces both converters to operate constantly in the PWM mode even at light load currents. The advantage is the converters operate with a fixed frequency that allows simple filtering of the switching frequency for noise sensitive applications. In this mode, the efficiency is lower compared to the power save mode during light loads. For additional flexibility it is possible to switch from power save mode to forced PWM mode during operation. This allows efficient power management by adjusting the operation of the converter to the specific system requirements.

### 7.3.3 Enable

The devices have a separate enable pin for each of the DCDC converters and for each of the LDO to start up independently. If EN\_DCDC1, EN\_DCDC2, EN\_LDO1, EN\_LDO2, EN\_LDO3 are set to high, the corresponding converter starts up with soft start as previously described.

Pulling the enable pin low forces the device into shutdown, with a shutdown quiescent current as defined in the electrical characteristics. In this mode, the P and N-Channel MOSFETs are turned-off, and the entire internal control circuitry is switched-off. If disabled, the outputs of the LDOs are pulled low by internal 350-Ω resistors, actively discharging the output capacitor. For proper operation the enable pins must be terminated and must not be left unconnected.

### 7.3.4 Dynamic Output Voltage Scaling

The TPS65058 has the feature: dynamic voltage scaling intended for core processor supply. The voltage scaling can be used for any application or to simply select the output voltage. The following description applies only to TPS65058.

The output voltage of the DCDC Converter 2 can be selected by a logic level on pin DEF\_DCDC2. The output voltage can be changed dynamically during operation. The slew rate of the change of output voltage is controlled on DCDC2 to be 9.6mV/μs.

The output voltages on the LDOs can also be changed dynamically between two voltages by changing the logic level on pin DEF\_LDO.

The output voltage options are:

**Table 2. Output Voltage Selection**

DEF_LDO	1	0
LDO1	3.3 V	3.3 V
LDO2	1.8 V	1.2 V
LDO3	1.8 V	1.3 V
DEF_DCDC2	1	0
DCDC2	1.8 V	1.2 V

### 7.3.5 $\overline{\text{RESET}}$ on the TPS65053x

The TPS65053x contain circuitry that can generate a reset pulse for a processor with a 100 ms delay time. The input voltage at a comparator is sensed at an input called THRESHOLD. When the voltage exceeds the 1V threshold, the output goes high after a 100 ms delay time. This circuitry is functional as soon as the supply voltage at Vcc exceeds the undervoltage lockout threshold. The RESET circuitry is active even if all DCDC converters and LDOs are disabled.

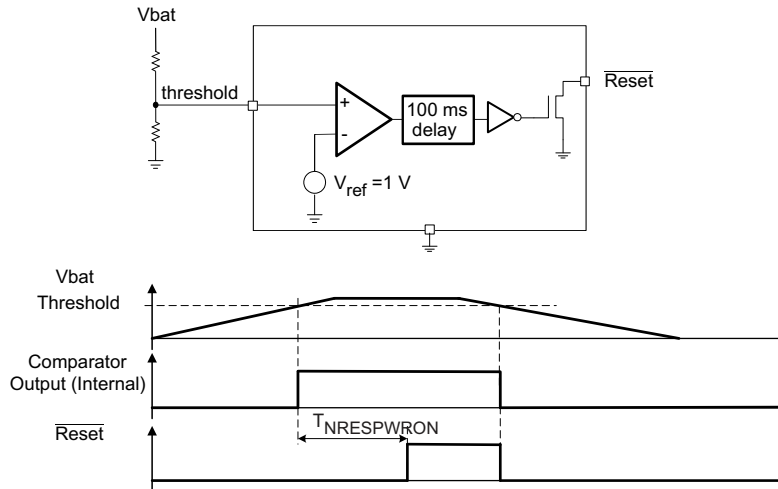


Figure 23.  $\overline{\text{RESET}}$  Pulse Circuit for TPS65053x

### 7.3.6 $\overline{\text{RESET}}$ Generation and Output Monitoring on the TPS65058

The TPS65058 contains a monitor circuitry that monitors the outputs of the DCDC converters and applies a reset pulse to the  $\overline{\text{RESET}}$  pin. As soon as the supply voltage on the VCC pin is above the undervoltage lockout threshold, the  $\overline{\text{RESET}}$  pin is pulled low. After the enabling of both DCDC converters, the output voltages are monitored. When both outputs are within 95% of the desired output voltage, the reset timer is started and after a delay of 100ms the Reset output is switched to high impedance. If one of the output voltages is outside of the regulation band (90% of the desired value) the RESET pin remains to be pulled to ground. After both outputs are back in regulation, the 100ms timer is started, and after 100ms the  $\overline{\text{RESET}}$  output is again switched to high impedance.

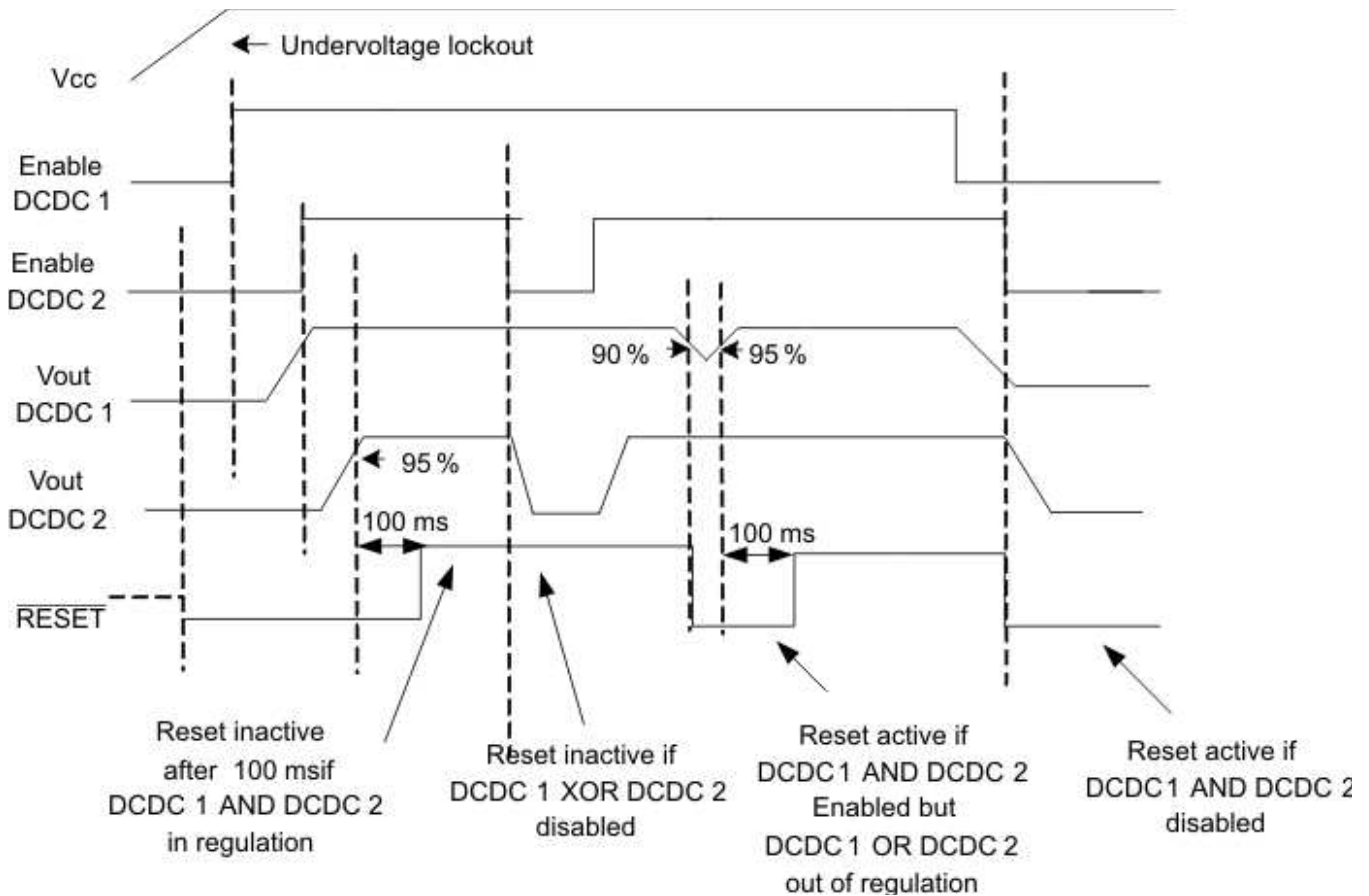


Figure 24.  $\overline{\text{RESET}}$  Pulse Circuit for TPS65058

### 7.3.7 Short-Circuit Protection

All outputs are short circuit protected with a maximum output current as defined in the [Electrical Characteristics](#).

### 7.3.8 Thermal Shutdown

As soon as the junction temperature,  $T_j$ , exceeds typically 150°C for the DCDC converters, the device goes into thermal shutdown. In this mode, the P and N-Channel MOSFETs are turned-off. The device continues its operation when the junction temperature falls below the thermal shutdown hysteresis again. A thermal shutdown for one of the DCDC converters will disable both converters simultaneously.

The thermal shutdown temperature for the LDOs are set to typically 140°C. Therefore a LDO which may be used to power an external voltage will never heat up the chip high enough to turn off the DCDC converters. If one LDO exceeds the thermal shutdown temperature, all LDOs will turn off simultaneously.

## 7.4 Device Functional Modes

This device has only one functional mode which is ON. The device enters this state if the device is within the operational VIN range on the VCC pin. The converters and LDOs can be enabled and/or disabled in this state.

## 8 Application and Implementation

### NOTE

Information in the following applications sections is not part of the TI component specification, and TI does not warrant its accuracy or completeness. TI's customers are responsible for determining suitability of components for their purposes. Customers should validate and test their design implementation to confirm system functionality.

### 8.1 Application Information

This device integrates two step-down converters and three LDOs which can be used to power the voltage rails needed by a processor or any other application. The PMIC can be controlled via the ENABLE and MODE pins or sequenced from the VIN using RC delay circuits. There is a logic output, **RESET**, provide the application processor or load a logic signal indicating power good or reset.

### 8.2 Typical Application

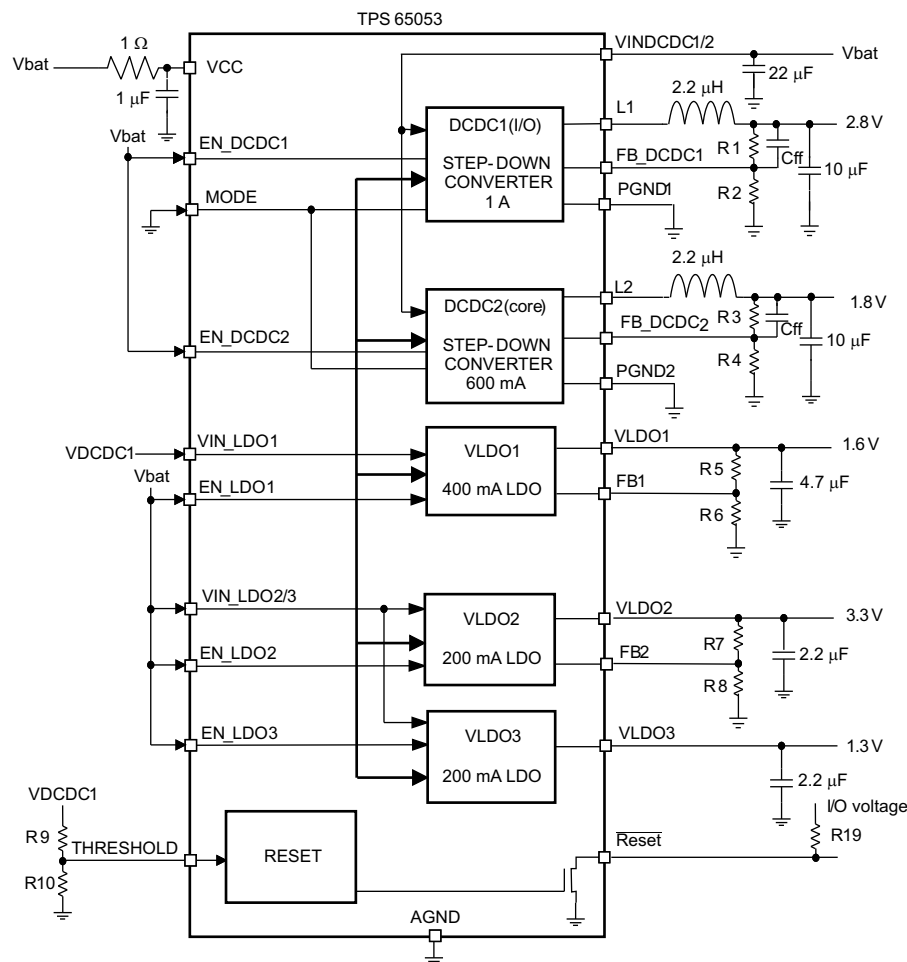


Figure 25. Typical Application Schematic

## Typical Application (continued)

### 8.2.1 Design Requirements

The TPS6505x has only a few design requirements. The check list below lists the design requirements across all application uses of the device.

- 1-μF Bypass cap on VCC, located as close as possible to the VCC pin to ground.
- VCC and VINDCDC1/2 must be connected to the same voltage supply with minimal voltage difference.
- Input capacitors must be present on the VINDCDC1/2, VIN\_LDO1, and VIN\_LDO2/3 supplies if used.
- Output filters must be used on the outputs of the DCDC converters if used.
- Output capacitors must be used on the outputs of the LDOs if used.

### 8.2.2 Detailed Design Procedure

The TPS6505x requires design for each regulator whether DCDC or LDO. First, the output voltage must be selected or set. Then, each DCDC converter requires an output filter, input capacitor, and feedback circuit and each LDO requires an output capacitor and input capacitor. The following sections discuss the procedure for designing for output voltages, DCDCs, and LDOs.

#### 8.2.2.1 DCDC Output Voltage Setting

The output voltage of the DCDC converters can be set by an external resistor network and can be calculated to:

$$V_{OUT} = V_{REF} \times \left(1 + \frac{R1}{R2}\right) \quad (4)$$

with an internal reference voltage  $V_{ref}$ , 0.6 V (typical).

It is recommended to set the total resistance of  $R1 + R2$  to less than 1 MΩ. The resistor network connects to the input of the feedback amplifier; therefore, need some small feedforward capacitor in parallel to R1. A typical value of 47 pF is sufficient.

$$R1 = R2 \times \left(\frac{V_{OUT}}{V_{FB\_DCDC1}}\right) - R2 \quad (5)$$

**Table 3. Typical Resistor Values**

OUTPUT VOLTAGE	R1	R2	NOMINAL VOLTAGE	TYPICAL CFF
3.3 V	680 kΩ	150 kΩ	3.32 V	47 pF
3.0 V	510 kΩ	130 kΩ	2.95 V	47 pF
2.85 V	560 kΩ	150 kΩ	2.84 V	47 pF
2.5 V	510 kΩ	160 kΩ	2.51 V	47 pF
1.8 V	300 kΩ	150 kΩ	1.80 V	47 pF
1.6 V	200 kΩ	120 kΩ	1.60 V	47 pF
1.5 V	300 kΩ	200 kΩ	1.50 V	47 pF
1.2 V	330 kΩ	330 kΩ	1.20 V	47 pF

#### 8.2.2.2 LDO Output Voltage Setting

The output voltage of LDO1 and LDO2 can be set by an external resistor network and can be calculated to:

$$V_{OUT} = V_{REF} \times \left(1 + \frac{R5}{R6}\right) \quad (6)$$

with an internal reference voltage,  $V_{REF}$ , typical 1 V.

It is recommended to set the total resistance of  $R5 + R6$  to less than 1 MΩ. Typically, there is no feedforward capacitor needed at the voltage dividers for the LDOs.

$$V_{OUT} = V_{FB\_LDOx} \times \frac{R5 + R6}{R6} \quad R5 = R6 \times \left(\frac{V_{OUT}}{V_{FB\_LDOx}}\right) - R6 \quad (7)$$

## Typical Application (continued)

**Table 4. Typical Resistor Values**

OUTPUT VOLTAGE	R5	R6	NOMINAL VOLTAGE
3.3 V	300 kΩ	130 kΩ	3.31 V
3 V	300 kΩ	150 kΩ	3.00 V
2.85 V	240 kΩ	130 kΩ	2.85 V
2.80 V	360 kΩ	200 kΩ	2.80 V
2.5 V	300 kΩ	200 kΩ	2.50 V
1.8 V	240 kΩ	300 kΩ	1.80 V
1.5 V	150 kΩ	300 kΩ	1.50 V
1.3 V	36 kΩ	120 kΩ	1.30 V
1.2 V	100 kΩ	510 kΩ	1.19 V
1.1 V	33 kΩ	330 kΩ	1.1 V

### 8.2.2.3 Low Dropout Voltage Regulators

The low dropout voltage regulators are designed to be stable with low value ceramic input and output capacitors. They operate with input voltages down to 1.5 V. The LDOs offer a maximum dropout voltage of 280mV at rated output current. Each LDO supports a current limit feature. The LDOs are enabled by the EN\_LDO1, EN\_LDO2, and EN\_LDO3 pin. The output voltage of LDO1 and LDO2 is set using an external resistor divider whereas LDO3 has a fixed output voltage of 1.30 V for TPS65053, 1.20 V for TPS650531 and 1.50 V for TPS650532.

The minimum input capacitor on VIN\_LDO1 and on VIN\_LDO2/3 is 2.2 μF minimum. LDO1 is designed to be stable with an output capacitor of 4.7 μF minimum; whereas, LDO2 and LDO3 are stable with a minimum capacitor value of 2.2 μF.

### 8.2.2.4 DCDC Output Filter Design (Inductor and Output Capacitor)

#### 8.2.2.4.1 Inductor Selection

The two converters operate typically with 2.2-μH output inductor. Larger or smaller inductor values can be used to optimize the performance of the device for specific operation conditions. For output voltages higher than 2.8 V, an inductor value of 3.3 μH minimum should be selected, otherwise the inductor current will ramp down too fast causing imprecise internal current measurement and therefore increased output voltage ripple under some operating conditions in PFM mode.

The selected inductor has to be rated for its DC resistance and saturation current. The DC resistance of the inductance will influence directly the efficiency of the converter. Therefore an inductor with lowest DC resistance should be selected for highest efficiency.

[Equation 8](#) calculates the maximum inductor current under static load conditions. The saturation current of the inductor should be rated higher than the maximum inductor current as calculated with [Equation 8](#). This is recommended because during heavy load transient the inductor current will rise above the calculated value.

$$\Delta I_L = V_{out} \times \frac{1 - \frac{V_{out}}{V_{in}}}{L \times f} \quad I_{Lmax} = I_{outmax} + \frac{\Delta I_L}{2}$$

where

- f = Switching Frequency (2.25-MHz typical)
  - L = Inductor Value
  - Δ I<sub>L</sub> = Peak-to-peak inductor ripple current
  - I<sub>Lmax</sub> = Maximum Inductor current
- (8)

The highest inductor current occurs at maximum Vin. Open core inductors have a soft saturation characteristic, and they can normally handle higher inductor currents versus a comparable shielded inductor.

A more conservative approach is to select the inductor current rating just for the maximum switch current of the corresponding converter. It must be considered, that the core material from inductor to inductor differs and will have an impact on the efficiency especially at high switching frequencies. Refer to [Table 5](#) and the typical applications for possible inductors.

**Table 5. Tested Inductors**

INDUCTOR TYPE	INDUCTOR VALUE	SUPPLIER
LPS3010	2.2 µH	Coilcraft
LPS3015	3.3 µH	Coilcraft
LPS4012	2.2 µH	Coilcraft
VLF4012	2.2 µH	TDK

#### 8.2.2.4.2 Output Capacitor Selection

The advanced Fast Response voltage mode control scheme of the two converters allow the use of small ceramic capacitors with a typical value of 10 µF, without having large output voltage under and overshoots during heavy load transients. Ceramic capacitors having low ESR values result in lowest output voltage ripple and are therefore recommended. See the recommended components in [Table 4](#).

If ceramic output capacitors are used, the capacitor RMS ripple current rating will always meet the application requirements. Just for completeness, the RMS ripple current is calculated as:

$$I_{\text{RMS}C_{\text{out}}} = V_{\text{out}} \times \frac{1 - \frac{V_{\text{out}}}{V_{\text{in}}}}{L \times f} \times \frac{1}{2 \times \sqrt{3}} \quad (9)$$

At nominal load current, the inductive converters operate in PWM mode and the overall output voltage ripple is the sum of the voltage spike caused by the output capacitor ESR plus the voltage ripple caused by charging and discharging the output capacitor:

$$\Delta V_{\text{out}} = V_{\text{out}} \times \frac{1 - \frac{V_{\text{out}}}{V_{\text{in}}}}{L \times f} \times \left( \frac{1}{8 \times C_{\text{out}} \times f} + \text{ESR} \right) \quad (10)$$

Where the highest output voltage ripple occurs at the highest input voltage  $V_{\text{in}}$ .

At light load currents, the converters operate in Power Save Mode and the output voltage ripple is dependent on the output capacitor value. The output voltage ripple is set by the internal comparator delay and the external capacitor. The typical output voltage ripple is less than 1% of the nominal output voltage.

#### 8.2.2.5 DCDC Input Capacitor Selection

Because of the nature of the buck converter, having a pulsating input current, a low ESR input capacitor is required for best input voltage filtering and minimizing the interference with other circuits caused by high input voltage spikes. The converters need a ceramic input capacitor of 10 µF. The input capacitor can be increased without any limit for better input voltage filtering.

**Table 6. Possible Capacitors For DCDC Converters and LDOS**

CAPACITOR VALUE	SIZE	SUPPLIER	TYPE
2.2 µF	0805	TDK C2012X5R0J226MT	Ceramic
2.2 µF	0805	Taiyo Yuden JMK212BJ226MG	Ceramic
10 µF	0805	Taiyo Yuden JMK212BJ106M	Ceramic
10 µF	0805	TDK C2012X5R0J106M	Ceramic

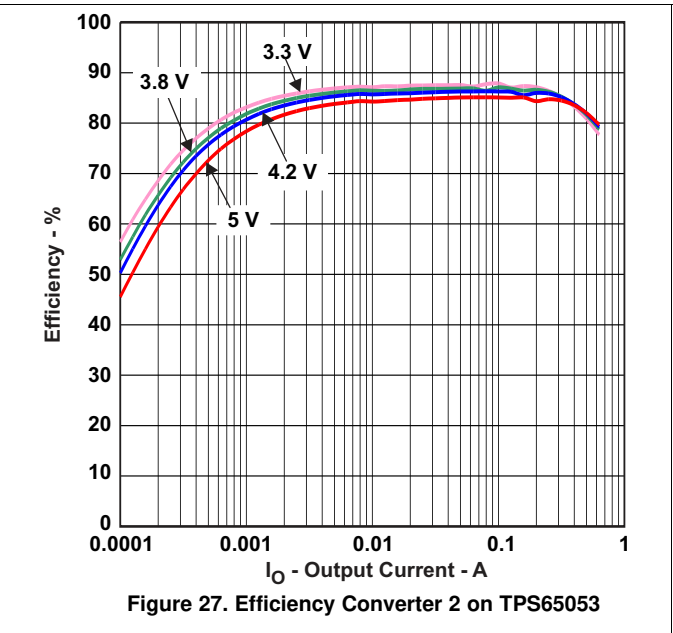
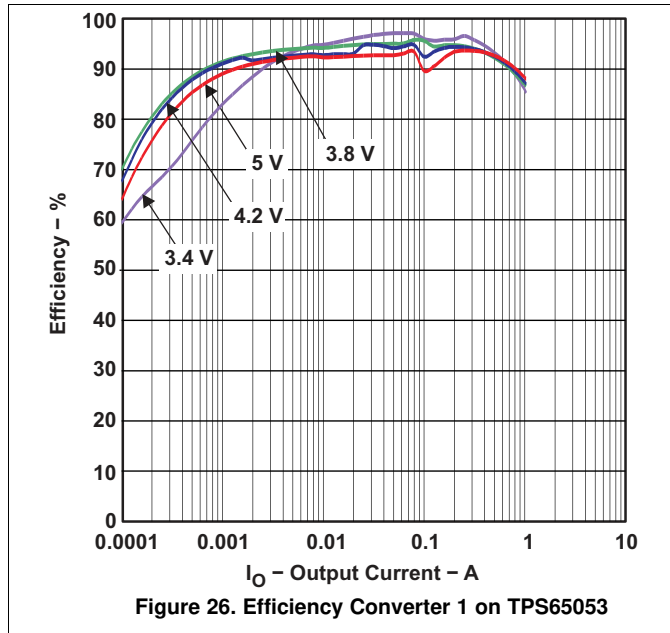
#### 8.2.2.6 Sequencing and Output Logic Signal RESET

To sequence the TPS6505x, the regulators can be sequenced by using the enable pins on each DCDC and LDO. A sequencer could be used but, simply looping back the output voltages of the preceeding rail to the enable input of the following rail can sequence the PMIC with minimal cost and solution area. Simple and small RC delay circuits could be added to create timing delays for enabling if needed.



Use the THRESHOLD and  $\overline{\text{RESET}}$  feature to provide a logic signal to the application or processor. THRESHOLD requires a voltage divider if the signal being monitored is desired to trigger  $\overline{\text{RESET}}$  at a point higher than 1V.

### 8.2.3 Application Curves



## 9 Power Supply Recommendations

Any supply between 2.5 V and 6 V will work as long as the power supply can supply enough current at the VIN voltage that the application demands.

## 10 Layout

### 10.1 Layout Guidelines

- The input capacitors for the DCDC converters should be placed as close as possible to the VINDCDC1/2 pin and the PGND1 and PGND2 pins.
- The inductor of the output filter should be placed as close as possible to the device to provide the shortest switch node possible, reducing the noise emitted into the system and increasing the efficiency.
- Sense the feedback voltage from the output at the output capacitors to ensure the best DC accuracy. Feedback should be routed away from noisy sources such as the inductor. If possible route on the opposing side as the switch node and inductor and place a GND plane between the feedback and the noisy sources or keepout underneath them entirely.
- Place the output capacitors as close as possible to the inductor to reduce the feedback loop as much as possible. This will ensure best regulation at the feedback point.
- Place the device as close as possible to the the most demanding or sensitive load. The output capacitors should be placed close to the input of the load. This will ensure the best AC performance possible.
- The input and output capacitors for the LDOs should be placed close to the device for best regulation performance.
- The use a one common ground plane is recommended for the device layout. The AGND can be separated from the PGND but, a large low parasitic PGND is required to connect the PGNDx pins to the CIN and external PGND connections.

## 10.2 Layout Example

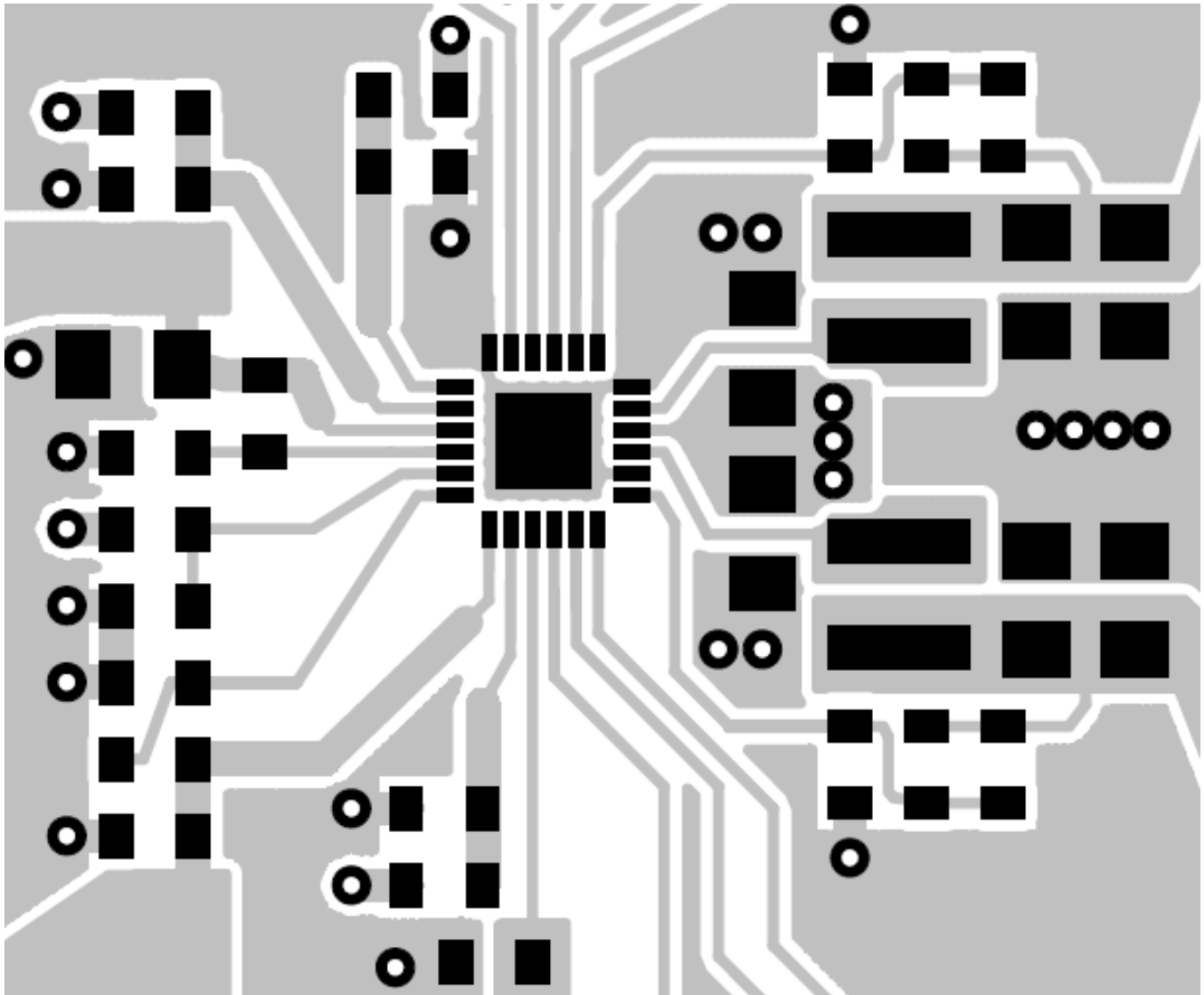


Figure 28. Layout Example Schematic for TPS65053

## 11 Device and Documentation Support

### 11.1 Device Support

For device support, submit questions to the E2E forum at:

[http://e2e.ti.com/support/power\\_management/pmu/f/200](http://e2e.ti.com/support/power_management/pmu/f/200)

For frequently asked questions (FAQs) on the TPS6505x, refer to the FAQ at:

[http://e2e.ti.com/support/power\\_management/pmu/w/design\\_notes/2910.tps6505x-faqs](http://e2e.ti.com/support/power_management/pmu/w/design_notes/2910.tps6505x-faqs)

#### 11.1.1 Third-Party Products Disclaimer

TI'S PUBLICATION OF INFORMATION REGARDING THIRD-PARTY PRODUCTS OR SERVICES DOES NOT CONSTITUTE AN ENDORSEMENT REGARDING THE SUITABILITY OF SUCH PRODUCTS OR SERVICES OR A WARRANTY, REPRESENTATION OR ENDORSEMENT OF SUCH PRODUCTS OR SERVICES, EITHER ALONE OR IN COMBINATION WITH ANY TI PRODUCT OR SERVICE.

### 11.2 Related Links

The table below lists quick access links. Categories include technical documents, support and community resources, tools and software, and quick access to sample or buy.

**Table 7. Related Links**

PARTS	PRODUCT FOLDER	SAMPLE & BUY	TECHNICAL DOCUMENTS	TOOLS & SOFTWARE	SUPPORT & COMMUNITY
TPS65053	<a href="#">Click here</a>	<a href="#">Click here</a>	<a href="#">Click here</a>	<a href="#">Click here</a>	<a href="#">Click here</a>
TPS650531	<a href="#">Click here</a>	<a href="#">Click here</a>	<a href="#">Click here</a>	<a href="#">Click here</a>	<a href="#">Click here</a>
TPS650532	<a href="#">Click here</a>	<a href="#">Click here</a>	<a href="#">Click here</a>	<a href="#">Click here</a>	<a href="#">Click here</a>
TPS65058	<a href="#">Click here</a>	<a href="#">Click here</a>	<a href="#">Click here</a>	<a href="#">Click here</a>	<a href="#">Click here</a>

### 11.3 Trademarks

OMAP, PowerPAD are trademarks of Texas Instruments.  
 All other trademarks are the property of their respective owners.

### 11.4 Electrostatic Discharge Caution



These devices have limited built-in ESD protection. The leads should be shorted together or the device placed in conductive foam during storage or handling to prevent electrostatic damage to the MOS gates.

### 11.5 Glossary

[SLYZ022](#) — *TI Glossary*.

This glossary lists and explains terms, acronyms, and definitions.

## 12 Mechanical, Packaging, and Orderable Information

The following pages include mechanical, packaging, and orderable information. This information is the most current data available for the designated devices. This data is subject to change without notice and revision of this document. For browser-based versions of this data sheet, refer to the left-hand navigation.

**PACKAGING INFORMATION**

Orderable Device	Status (1)	Package Type	Package Drawing	Pins	Package Qty	Eco Plan (2)	Lead finish/ Ball material (6)	MSL Peak Temp (3)	Op Temp (°C)	Device Marking (4/5)	Samples
TPS650531RGER	ACTIVE	VQFN	RGE	24	3000	RoHS & Green	NIPDAU	Level-2-260C-1 YEAR	-40 to 85	TPS 650531	<a href="#">Samples</a>
TPS650531RGET	ACTIVE	VQFN	RGE	24	250	RoHS & Green	NIPDAU	Level-2-260C-1 YEAR	-40 to 85	TPS 650531	<a href="#">Samples</a>
TPS650532RGER	ACTIVE	VQFN	RGE	24	3000	RoHS & Green	NIPDAU	Level-2-260C-1 YEAR	-40 to 85	TPS 650532	<a href="#">Samples</a>
TPS650532RGET	ACTIVE	VQFN	RGE	24	250	RoHS & Green	NIPDAU	Level-2-260C-1 YEAR	-40 to 85	TPS 650532	<a href="#">Samples</a>
TPS65053RGER	ACTIVE	VQFN	RGE	24	3000	RoHS & Green	NIPDAU	Level-2-260C-1 YEAR	-40 to 85	TPS 65053	<a href="#">Samples</a>
TPS65053RGET	ACTIVE	VQFN	RGE	24	250	RoHS & Green	NIPDAU	Level-2-260C-1 YEAR	-40 to 85	TPS 65053	<a href="#">Samples</a>
TPS65053RGETG4	ACTIVE	VQFN	RGE	24	250	RoHS & Green	NIPDAU	Level-2-260C-1 YEAR	-40 to 85	TPS 65053	<a href="#">Samples</a>
TPS65058RGER	ACTIVE	VQFN	RGE	24	3000	RoHS & Green	NIPDAU	Level-2-260C-1 YEAR	-40 to 85	TPS 65058	<a href="#">Samples</a>
TPS65058RGET	ACTIVE	VQFN	RGE	24	250	RoHS & Green	NIPDAU	Level-2-260C-1 YEAR	-40 to 85	TPS 65058	<a href="#">Samples</a>

(1) The marketing status values are defined as follows:

**ACTIVE:** Product device recommended for new designs.

**LIFEBUY:** TI has announced that the device will be discontinued, and a lifetime-buy period is in effect.

**NRND:** Not recommended for new designs. Device is in production to support existing customers, but TI does not recommend using this part in a new design.

**PREVIEW:** Device has been announced but is not in production. Samples may or may not be available.

**OBSELETE:** TI has discontinued the production of the device.

(2) **RoHS:** TI defines "RoHS" to mean semiconductor products that are compliant with the current EU RoHS requirements for all 10 RoHS substances, including the requirement that RoHS substance do not exceed 0.1% by weight in homogeneous materials. Where designed to be soldered at high temperatures, "RoHS" products are suitable for use in specified lead-free processes. TI may reference these types of products as "Pb-Free".

**RoHS Exempt:** TI defines "RoHS Exempt" to mean products that contain lead but are compliant with EU RoHS pursuant to a specific EU RoHS exemption.

**Green:** TI defines "Green" to mean the content of Chlorine (Cl) and Bromine (Br) based flame retardants meet JS709B low halogen requirements of <=1000ppm threshold. Antimony trioxide based flame retardants must also meet the <=1000ppm threshold requirement.

(3) MSL, Peak Temp. - The Moisture Sensitivity Level rating according to the JEDEC industry standard classifications, and peak solder temperature.

- (4) There may be additional marking, which relates to the logo, the lot trace code information, or the environmental category on the device.
- (5) Multiple Device Markings will be inside parentheses. Only one Device Marking contained in parentheses and separated by a "~" will appear on a device. If a line is indented then it is a continuation of the previous line and the two combined represent the entire Device Marking for that device.
- (6) Lead finish/Ball material - Orderable Devices may have multiple material finish options. Finish options are separated by a vertical ruled line. Lead finish/Ball material values may wrap to two lines if the finish value exceeds the maximum column width.

**Important Information and Disclaimer:**The information provided on this page represents TI's knowledge and belief as of the date that it is provided. TI bases its knowledge and belief on information provided by third parties, and makes no representation or warranty as to the accuracy of such information. Efforts are underway to better integrate information from third parties. TI has taken and continues to take reasonable steps to provide representative and accurate information but may not have conducted destructive testing or chemical analysis on incoming materials and chemicals. TI and TI suppliers consider certain information to be proprietary, and thus CAS numbers and other limited information may not be available for release.

In no event shall TI's liability arising out of such information exceed the total purchase price of the TI part(s) at issue in this document sold by TI to Customer on an annual basis.

**OTHER QUALIFIED VERSIONS OF TPS65053 :**

- Automotive : [TPS65053-Q1](#)

NOTE: Qualified Version Definitions:

- Automotive - Q100 devices qualified for high-reliability automotive applications targeting zero defects

**TAPE AND REEL INFORMATION**

**QUADRANT ASSIGNMENTS FOR PIN 1 ORIENTATION IN TAPE**


\*All dimensions are nominal

Device	Package Type	Package Drawing	Pins	SPQ	Reel Diameter (mm)	Reel Width W1 (mm)	A0 (mm)	B0 (mm)	K0 (mm)	P1 (mm)	W (mm)	Pin1 Quadrant
TPS650531RGER	VQFN	RGE	24	3000	330.0	12.4	4.25	4.25	1.15	8.0	12.0	Q2
TPS650531RGET	VQFN	RGE	24	250	180.0	12.4	4.25	4.25	1.15	8.0	12.0	Q2
TPS650532RGER	VQFN	RGE	24	3000	330.0	12.4	4.35	4.35	1.1	8.0	12.0	Q2
TPS650532RGET	VQFN	RGE	24	250	180.0	12.5	4.35	4.35	1.1	8.0	12.0	Q2
TPS65053RGER	VQFN	RGE	24	3000	330.0	12.4	4.25	4.25	1.15	8.0	12.0	Q2
TPS65053RGET	VQFN	RGE	24	250	180.0	12.4	4.25	4.25	1.15	8.0	12.0	Q2
TPS65058RGER	VQFN	RGE	24	3000	330.0	12.4	4.25	4.25	1.15	8.0	12.0	Q2
TPS65058RGET	VQFN	RGE	24	250	180.0	12.4	4.25	4.25	1.15	8.0	12.0	Q2

**TAPE AND REEL BOX DIMENSIONS**


\*All dimensions are nominal

Device	Package Type	Package Drawing	Pins	SPQ	Length (mm)	Width (mm)	Height (mm)
TPS650531RGER	VQFN	RGE	24	3000	356.0	356.0	35.0
TPS650531RGET	VQFN	RGE	24	250	210.0	185.0	35.0
TPS650532RGER	VQFN	RGE	24	3000	338.0	355.0	50.0
TPS650532RGET	VQFN	RGE	24	250	338.0	355.0	50.0
TPS65053RGER	VQFN	RGE	24	3000	346.0	346.0	33.0
TPS65053RGET	VQFN	RGE	24	250	210.0	185.0	35.0
TPS65058RGER	VQFN	RGE	24	3000	356.0	356.0	35.0
TPS65058RGET	VQFN	RGE	24	250	210.0	185.0	35.0

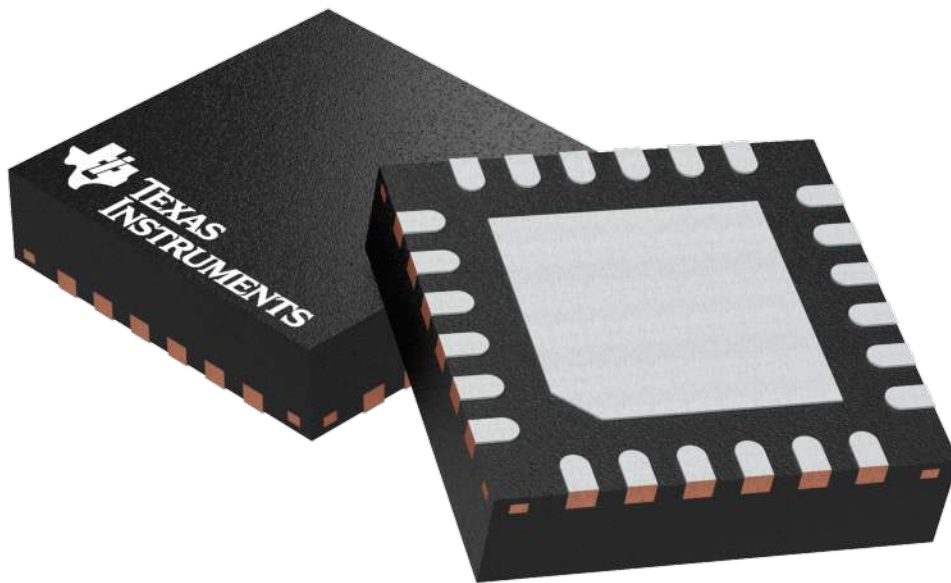


## GENERIC PACKAGE VIEW

RGE 24

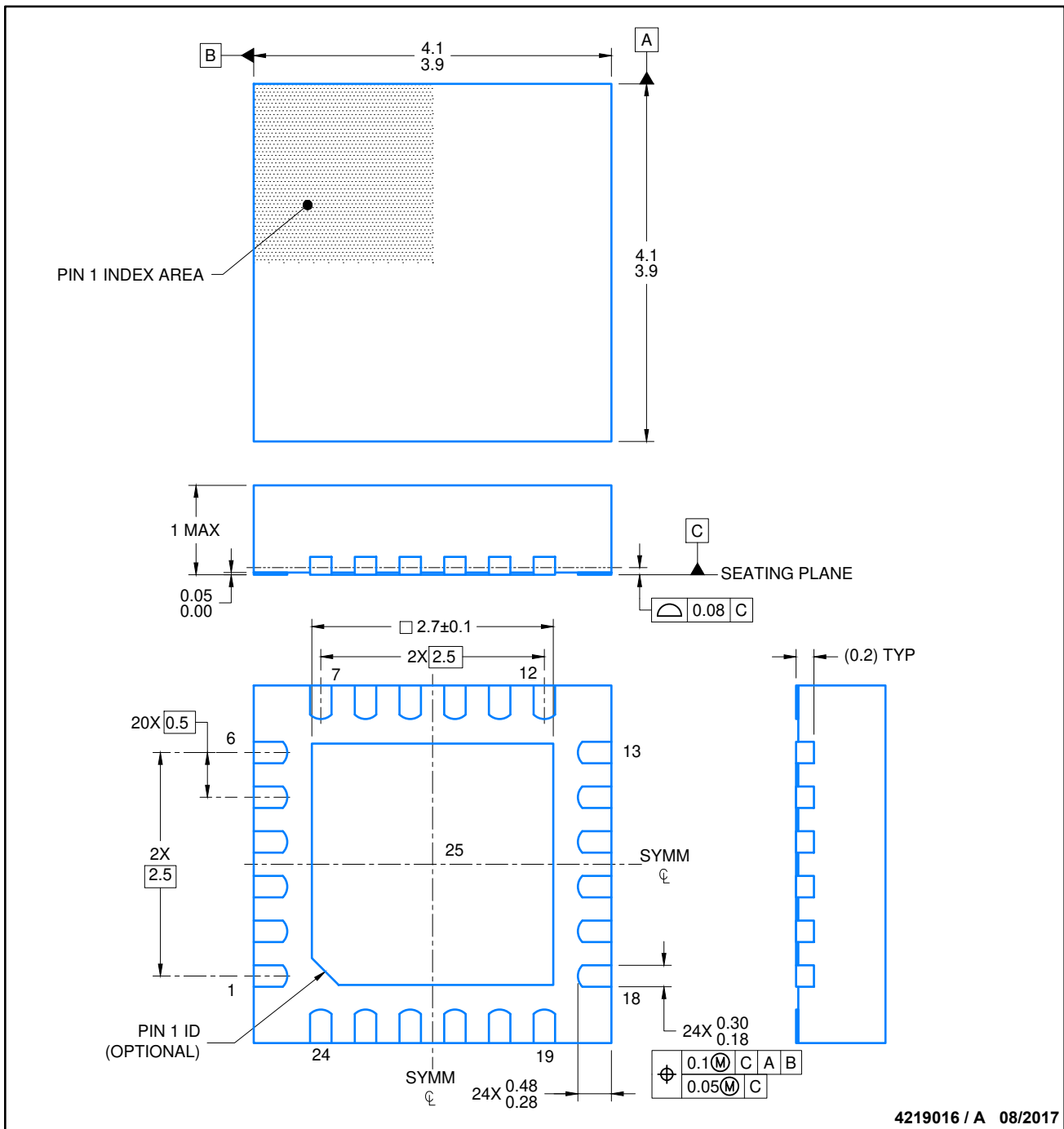
VQFN - 1 mm max height

PLASTIC QUAD FLATPACK - NO LEAD



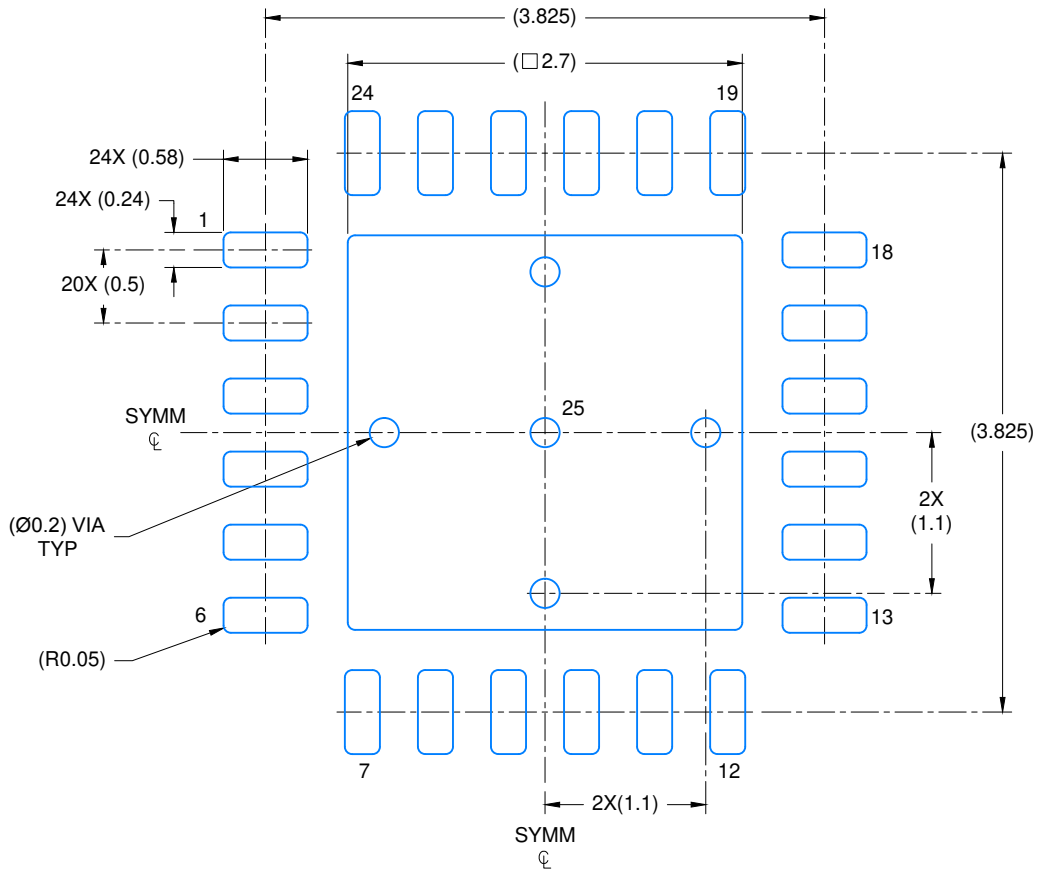
Images above are just a representation of the package family, actual package may vary.  
Refer to the product data sheet for package details.

4204104/H

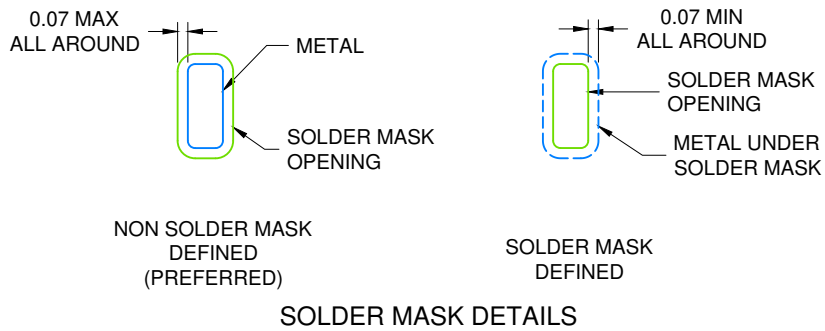


NOTES:

1. All linear dimensions are in millimeters. Any dimensions in parenthesis are for reference only. Dimensioning and tolerancing per ASME Y14.5M.
2. This drawing is subject to change without notice.
3. The package thermal pad must be soldered to the printed circuit board for thermal and mechanical performance.



LAND PATTERN EXAMPLE  
SCALE: 20X



4219016 / A 08/2017

NOTES: (continued)

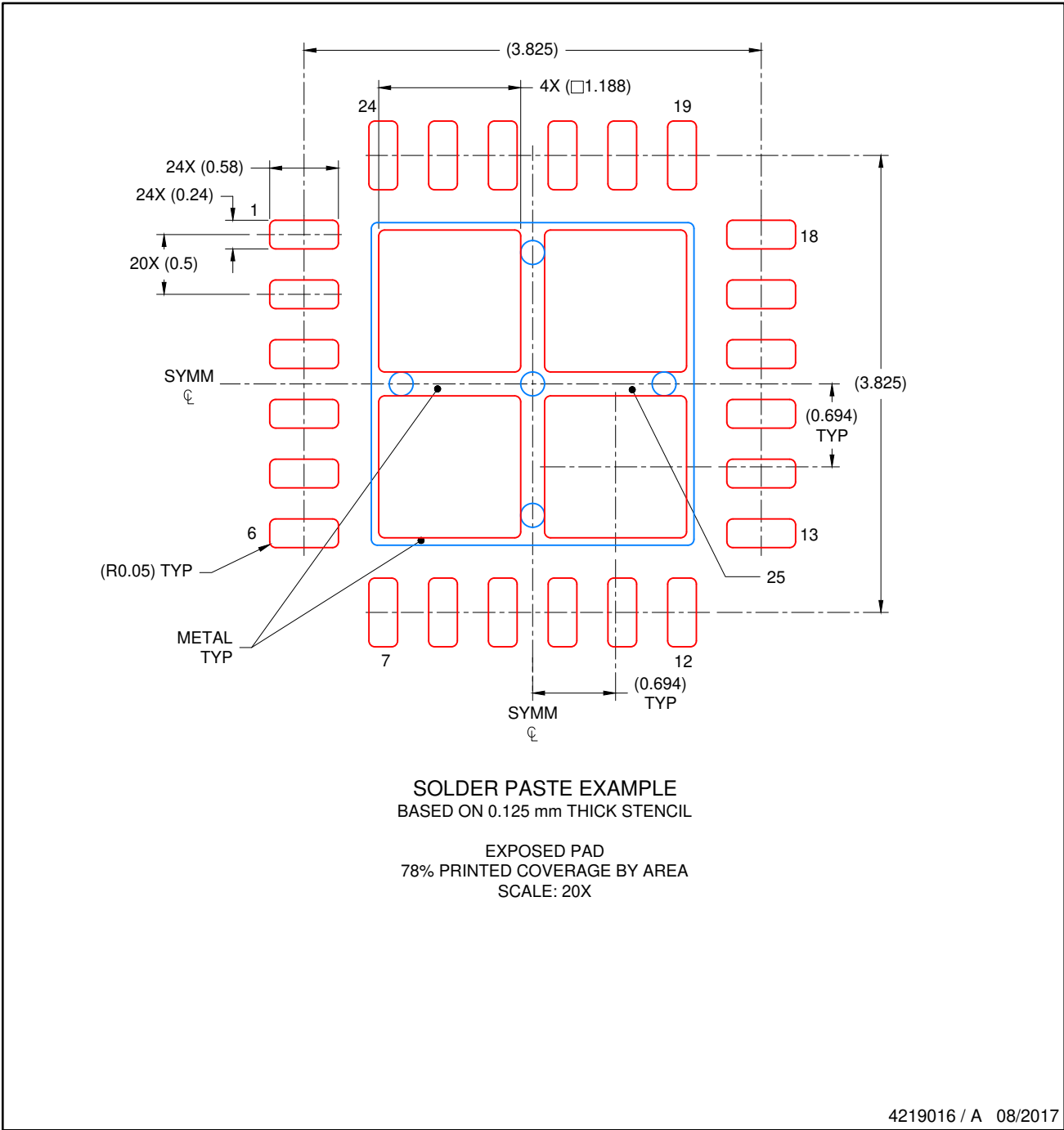
4. This package is designed to be soldered to a thermal pad on the board. For more information, see Texas Instruments literature number SLUA271 ([www.ti.com/lit/slua271](http://www.ti.com/lit/slua271)).
5. Solder mask tolerances between and around signal pads can vary based on board fabrication site.

# EXAMPLE STENCIL DESIGN

VQFN - 1 mm max height

RGE0024H

PLASTIC QUAD FLATPACK- NO LEAD



NOTES: (continued)

- 6. Laser cutting apertures with trapezoidal walls and rounded corners may offer better paste release. IPC-7525 may have alternate design recommendations..

## IMPORTANT NOTICE AND DISCLAIMER

TI PROVIDES TECHNICAL AND RELIABILITY DATA (INCLUDING DATA SHEETS), DESIGN RESOURCES (INCLUDING REFERENCE DESIGNS), APPLICATION OR OTHER DESIGN ADVICE, WEB TOOLS, SAFETY INFORMATION, AND OTHER RESOURCES "AS IS" AND WITH ALL FAULTS, AND DISCLAIMS ALL WARRANTIES, EXPRESS AND IMPLIED, INCLUDING WITHOUT LIMITATION ANY IMPLIED WARRANTIES OF MERCHANTABILITY, FITNESS FOR A PARTICULAR PURPOSE OR NON-INFRINGEMENT OF THIRD PARTY INTELLECTUAL PROPERTY RIGHTS.

These resources are intended for skilled developers designing with TI products. You are solely responsible for (1) selecting the appropriate TI products for your application, (2) designing, validating and testing your application, and (3) ensuring your application meets applicable standards, and any other safety, security, regulatory or other requirements.

These resources are subject to change without notice. TI grants you permission to use these resources only for development of an application that uses the TI products described in the resource. Other reproduction and display of these resources is prohibited. No license is granted to any other TI intellectual property right or to any third party intellectual property right. TI disclaims responsibility for, and you will fully indemnify TI and its representatives against, any claims, damages, costs, losses, and liabilities arising out of your use of these resources.

TI's products are provided subject to [TI's Terms of Sale](#) or other applicable terms available either on [ti.com](https://www.ti.com) or provided in conjunction with such TI products. TI's provision of these resources does not expand or otherwise alter TI's applicable warranties or warranty disclaimers for TI products.

TI objects to and rejects any additional or different terms you may have proposed.

Mailing Address: Texas Instruments, Post Office Box 655303, Dallas, Texas 75265  
Copyright © 2023, Texas Instruments Incorporated