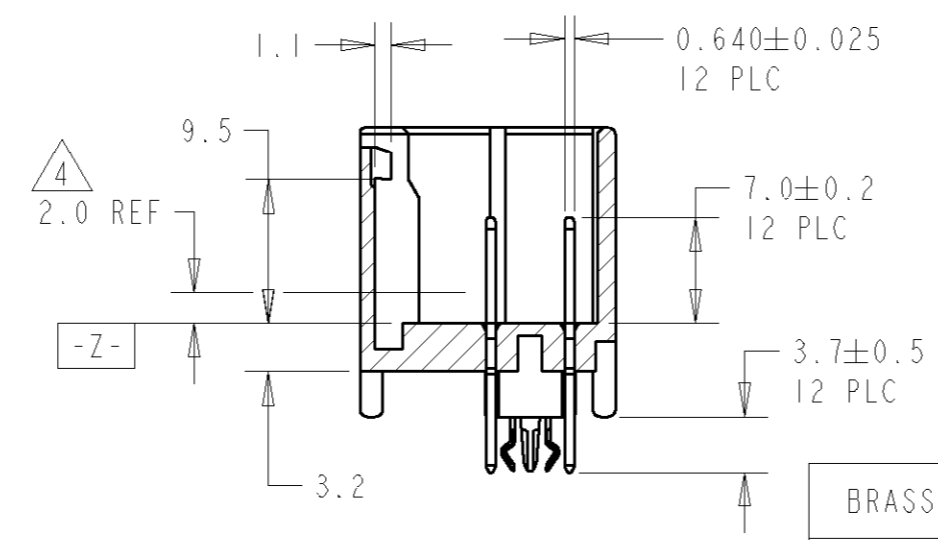
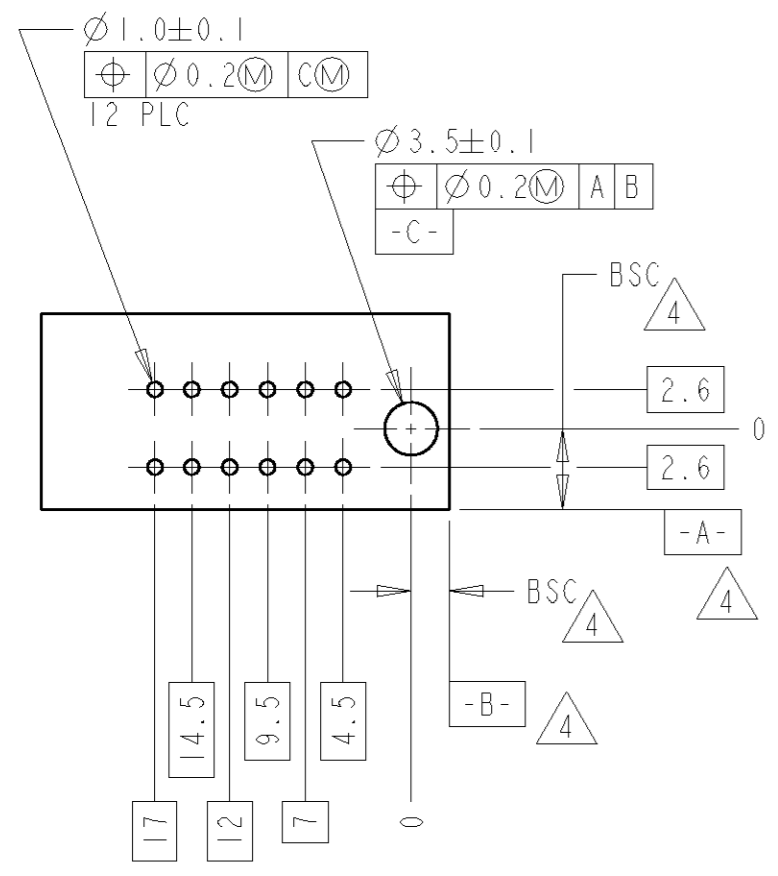
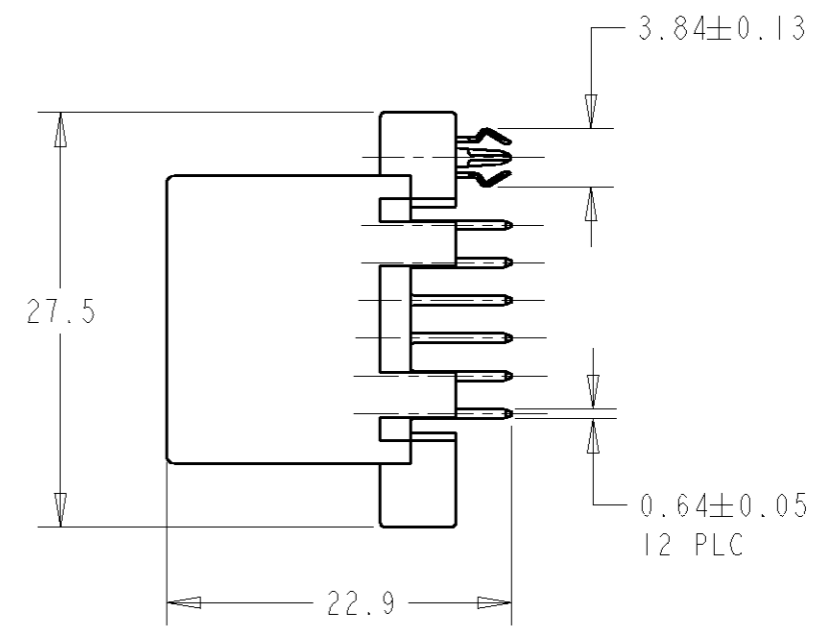
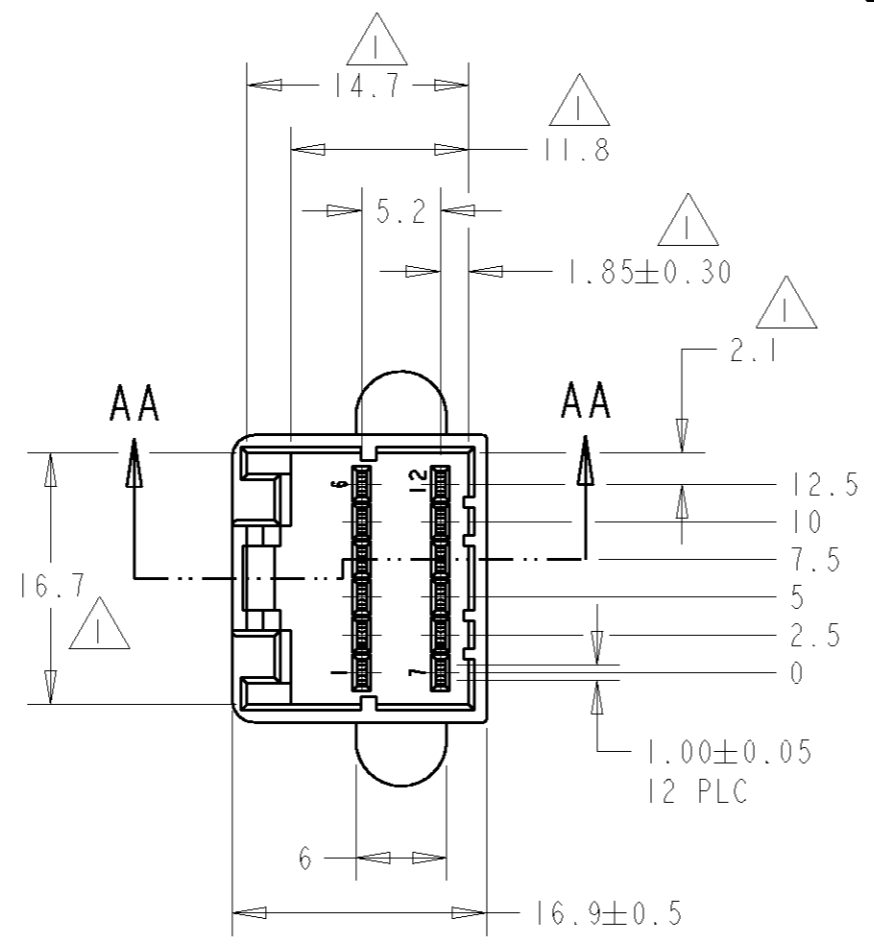
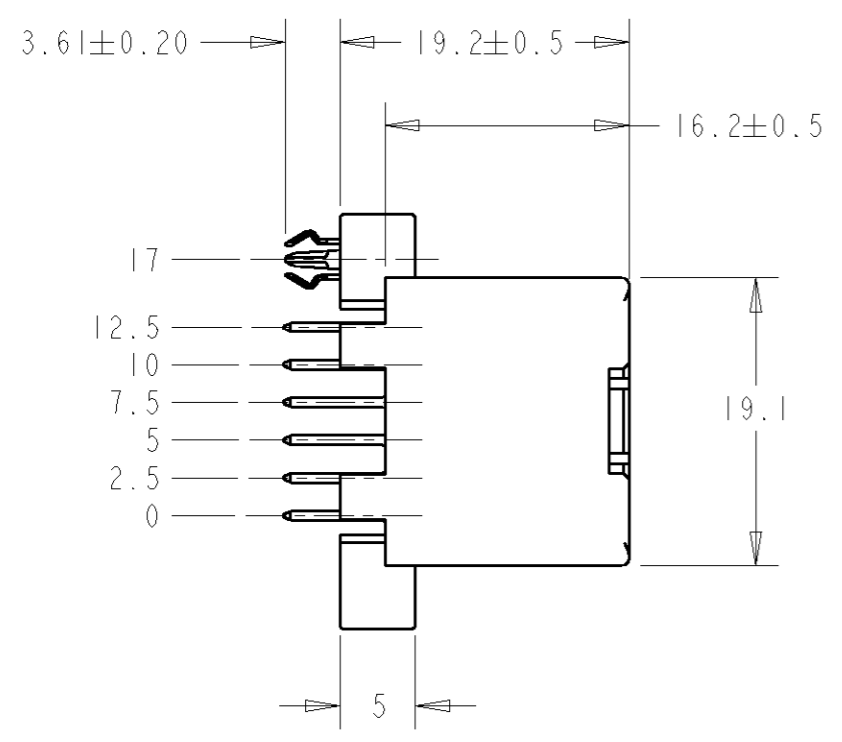


THIS DRAWING IS UNPUBLISHED. RELEASED FOR PUBLICATION 20
 © COPYRIGHT 20 BY TYCO ELECTRONICS CORPORATION. ALL RIGHTS RESERVED.

LOC	DIST	REVISIONS				
P	LTR	DESCRIPTION	DATE	DWN	APVD	
FX	55					
		E	REV/REDRAWN PER EC OK80-0197-01	17SEP2001	RGV SSA	
		EI	REV PER OK80-0399-03	04DEC2003	AG SA	



- 1. MUST BE KEPT BETWEEN -Z- AND 2mm FROM -Z-.
- 2. APPLICABLE P.C. BOARD THICKNESS: 1.6 mm.
- 3. MATING PLUG PART NUMBER: 174045.
- 4. DATUMS AND BASIC DIMENSIONS TO BE ESTABLISHED BY CUSTOMER.

BRASS	TIN OVER COPPER	BRASS	TIN OVER COPPER	PBT	BLACK	638097-2
MATERIAL	FINISH	MATERIAL	FINISH	MATERIAL	COLOR	PART NO
BOARDLOCK		CONTACT		HOUSING		

THIS DRAWING IS A CONTROLLED DOCUMENT FOR TYCO ELECTRONICS CORPORATION. IT IS SUBJECT TO CHANGE AND THE CONTROLLING ENGINEERING ORGANIZATION SHOULD BE CONTACTED FOR THE LATEST REVISION.

DIMENSIONS: mm	TOLERANCES UNLESS OTHERWISE SPECIFIED:	DWN R. VESTAL 12JUN2001	Tyco Electronics Harrisburg, PA 17105-3608
	0 PLC ±0.3	CHK S. ASHLEY 12JUN2001	
	1 PLC ±0.3	APVD S. ASHLEY 12JUN2001	
	2 PLC ±0.20	PRODUCT SPEC -	
MATERIAL -	FINISH -	APPL. SPEC -	NAME .040 SERIES, 12 POSITION, CAP ASSEMBLY, W/BOARDLOCK, MULTILOCK
		WEIGHT -	SIZE A3 CAGE CODE 00779 DRAWING NO C-638097 RESTRICTED TO -
CUSTOMER DRAWING			SCALE 2:1 SHEET 1 OF 1 REV E1