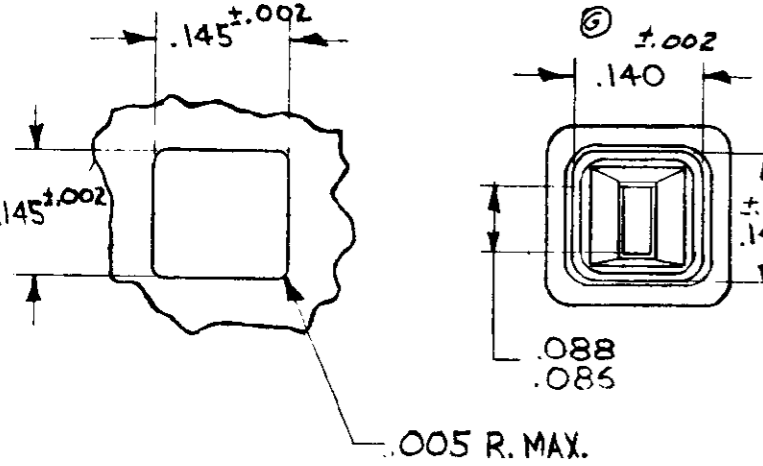
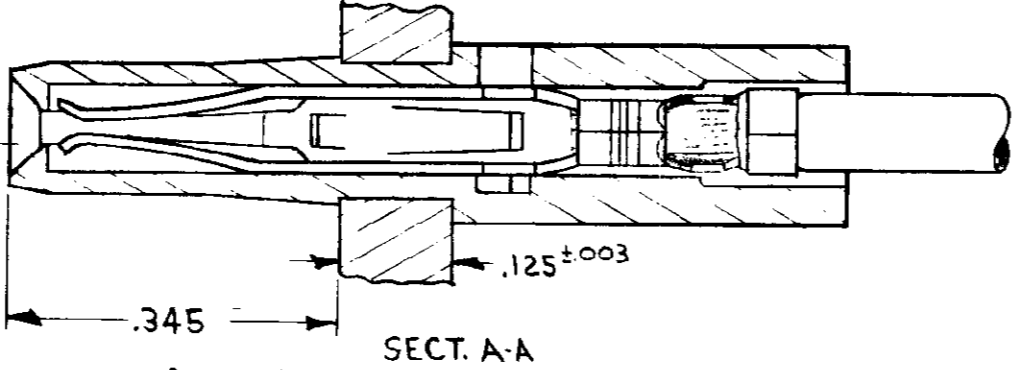
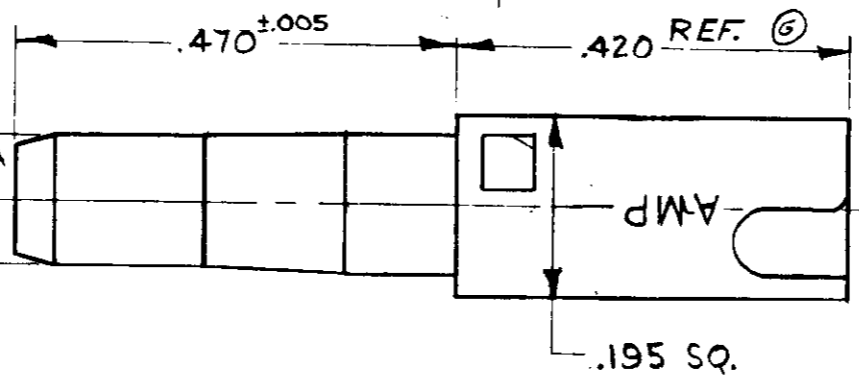
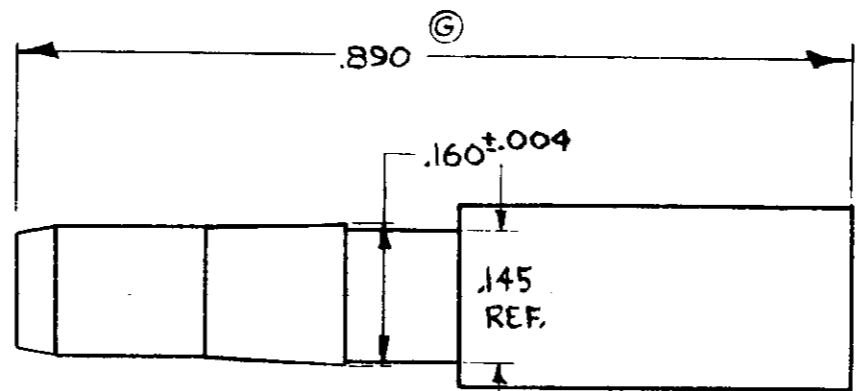


UNPUBLISHED  
NUMBER 582289  
S

© 1967 BY AMP INCORPORATED. ALL RIGHTS RESERVED. AMP PRODUCTS COVERED BY PATENTS AND/OR PATENTS PENDING.

REVISIONS				
SYM	ZONE	DESCRIPTION	DATE	APPROVAL
F		REDRAWN, ADD SIDE VIEW. PER ECN T-300	3-7-63	MM JK
G		REVISED 2186	8-5-69	M.S. D.H.
H	✓	REVISED 3014	5-18-71	M.S. D.H.



MOUNTING HOLE DIMENSIONS

NOTE: TO MATE WITH .032 MALE TAB.  
 (H) ±.001 X .080 ±.005

582289-1 I. AS SHOWN

QTY REQD	PART OR IDENTIFYING NO.	NOMENCLATURE OR DESCRIPTION			
LIST OF MATERIALS OR PARTS LIST					
UNLESS OTHERWISE SPECIFIED DIMENSIONS ARE IN INCHES TOLERANCES ON			SIGNATURE		DATE
FRACTIONS ± 1/64			DR <i>M.A. Melis</i>		3-7-63
DECIMALS ± .010 (circled)			CHK <i>J. Kaufman</i>		8-63
ANGLES ± 1°			DSGN ENGR <i>[Signature]</i>		3/11/63
MATERIAL ZYTEL 101 - WHITE			APPD <i>[Signature]</i>		3/11/63
HEAT TREAT			DSGN APPD		
FINISH			OTHER APPD		
AMP INFO			CODE IDENT NO	SIZE	NUMBER
LOC AD H 14			00779	B	582289
			SCALE 5-1	WT CALL	ACTUAL
			SHEET 1 OF 1		



AMP INCORPORATED  
HARRISBURG, PENNSYLVANIA

DUO-TYNE LEAF-HOUSING

GUSTOMER DRAWING 1