

PSD-24-4 Power Supply



Datasheet

24 V DC, 3.9A Class 2 Power Supply



- Accepts universal AC input voltage (90 V AC to 264 V AC, 50/60 Hz); provides 24 V DC output
- Provides reliable power for lighting systems or other products that operate at 24 V DC
- Outputs to an integral M12 connector
- Includes 1.5 meter AC input cable



CAUTION:

- Do not use in wet areas or in the presence of excessive airborne contamination.
- Risk of electric shock. Do not open, disassemble, or modify this device.
- Only to be used with industrial products, accepts universal AC input (90 V AC to 264 V AC, 50/60 Hz); provides 24 V DC output



WARNING:

- **Do not use this device for personnel protection**
- Using this device for personnel protection could result in serious injury or death.
- This device does not include the self-checking redundant circuitry necessary to allow its use in personnel safety applications. A device failure or malfunction can cause either an energized (on) or de-energized (off) output condition.

Specifications

Input Voltage

90 V AC to 264 V AC

Input Frequency

47 Hz to 63 Hz

Output

Voltage: 24 V DC \pm 5%
Current: 3.9 Amp
Power: 96 W max.

Output Protection Circuitry

Protected against output short-circuit

Output Ripple/Noise

< 1%

Holdup Time

20 ms minimum full load, V_{in} 115 V AC

Efficiency

85% typ. full load, V_{in} 115 V AC

Operating Temperature

0 °C to +40 °C (+32 °F to +104 °F)

Storage Temperature

-20 °C to +85 °C (-4 °F to +185 °F)

Environmental Rating

IP20

Emission Standards

FCC Class B
CISPR22 Class B
VCCI Class B

Safety Standards

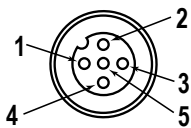
UL1310 Class 2

Certifications



5-pin M12 Connector

Two meter (6.5 ft) cable with a 5-pin M12 connector.

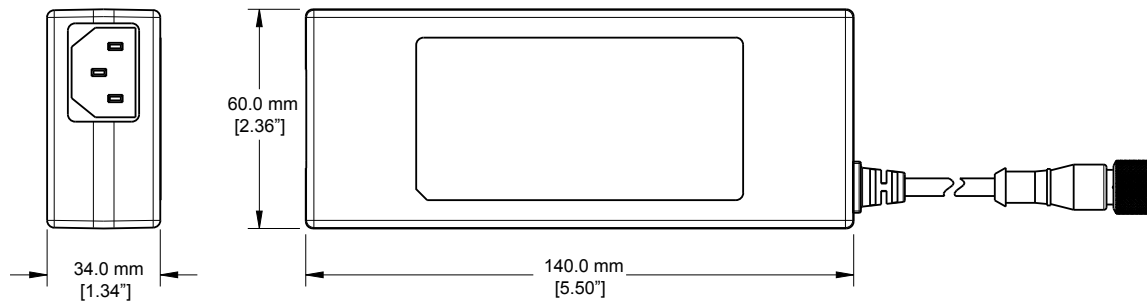


1. V+
2. NC
3. V-
4. NC
5. NC



Dimensions

All measurements are listed in millimeters [inches], unless noted otherwise.



Banner Engineering Corp Limited Warranty

Banner Engineering Corp. warrants its products to be free from defects in material and workmanship for one year following the date of shipment. Banner Engineering Corp. will repair or replace, free of charge, any product of its manufacture which, at the time it is returned to the factory, is found to have been defective during the warranty period. This warranty does not cover damage or liability for misuse, abuse, or the improper application or installation of the Banner product.

THIS LIMITED WARRANTY IS EXCLUSIVE AND IN LIEU OF ALL OTHER WARRANTIES WHETHER EXPRESS OR IMPLIED (INCLUDING, WITHOUT LIMITATION, ANY WARRANTY OF MERCHANTABILITY OR FITNESS FOR A PARTICULAR PURPOSE), AND WHETHER ARISING UNDER COURSE OF PERFORMANCE, COURSE OF DEALING OR TRADE USAGE.

This Warranty is exclusive and limited to repair or, at the discretion of Banner Engineering Corp., replacement. **IN NO EVENT SHALL BANNER ENGINEERING CORP. BE LIABLE TO BUYER OR ANY OTHER PERSON OR ENTITY FOR ANY EXTRA COSTS, EXPENSES, LOSSES, LOSS OF PROFITS, OR ANY INCIDENTAL, CONSEQUENTIAL OR SPECIAL DAMAGES RESULTING FROM ANY PRODUCT DEFECT OR FROM THE USE OR INABILITY TO USE THE PRODUCT, WHETHER ARISING IN CONTRACT OR WARRANTY, STATUTE, TORT, STRICT LIABILITY, NEGLIGENCE, OR OTHERWISE.**

Banner Engineering Corp. reserves the right to change, modify or improve the design of the product without assuming any obligations or liabilities relating to any product previously manufactured by Banner Engineering Corp. Any misuse, abuse, or improper application or installation of this product or use of the product for personal protection applications when the product is identified as not intended for such purposes will void the product warranty. Any modifications to this product without prior express approval by Banner Engineering Corp will void the product warranties. All specifications published in this document are subject to change; Banner reserves the right to modify product specifications or update documentation at any time. Specifications and product information in English supersede that which is provided in any other language. For the most recent version of any documentation, refer to: www.bannerengineering.com.

For patent information, see www.bannerengineering.com/patents.

FCC Part 15

This device complies with Part 15 of the FCC Rules. Operation is subject to the following two conditions: 1) This device may not cause harmful interference; and 2) This device must accept any interference received, including interference that may cause undesired operation.

Industry Canada

This device complies with CAN ICES-3 (B)/NMB-3(B). Operation is subject to the following two conditions: 1) This device may not cause harmful interference; and 2) This device must accept any interference received, including interference that may cause undesired operation.

Cet appareil est conforme à la norme NMB-3(B). Le fonctionnement est soumis aux deux conditions suivantes : (1) ce dispositif ne peut pas occasionner d'interférences, et (2) il doit tolérer toute interférence, y compris celles susceptibles de provoquer un fonctionnement non souhaité du dispositif.