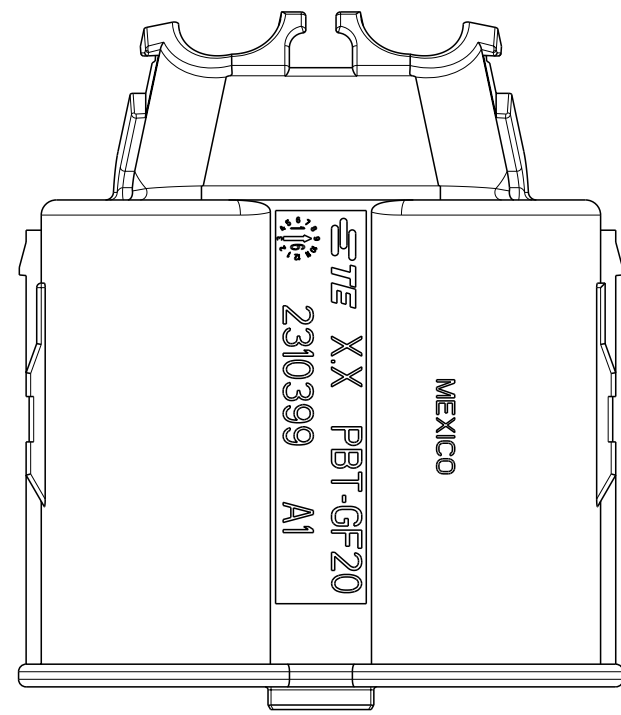
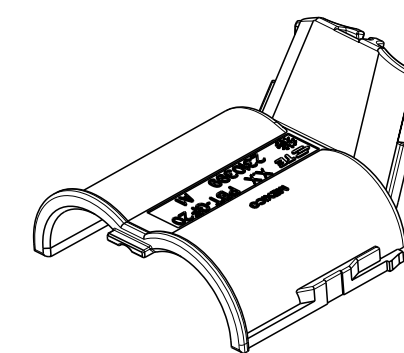
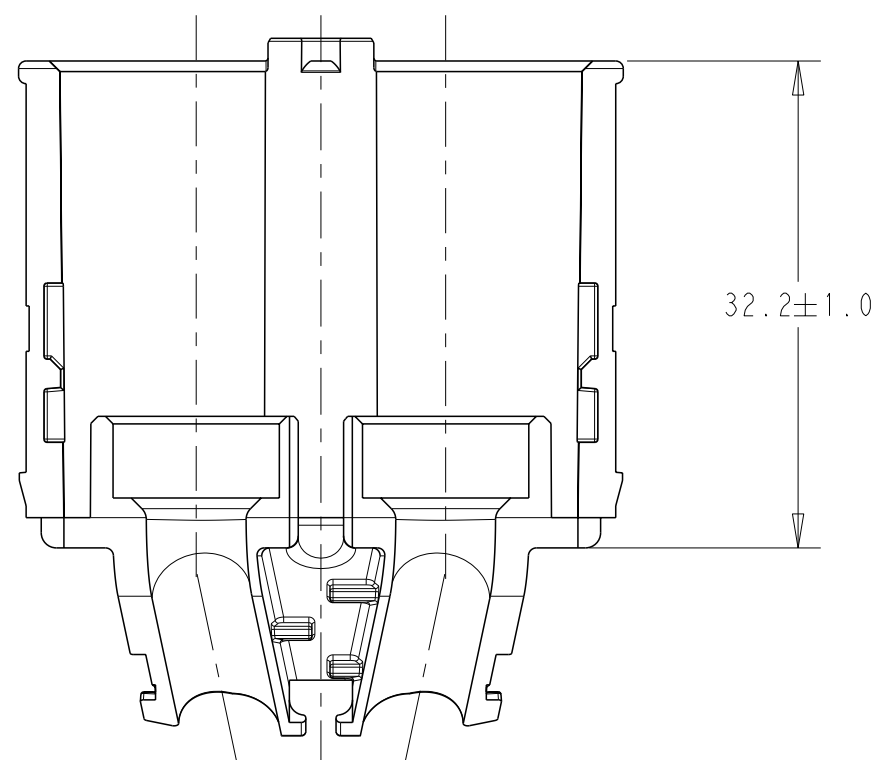
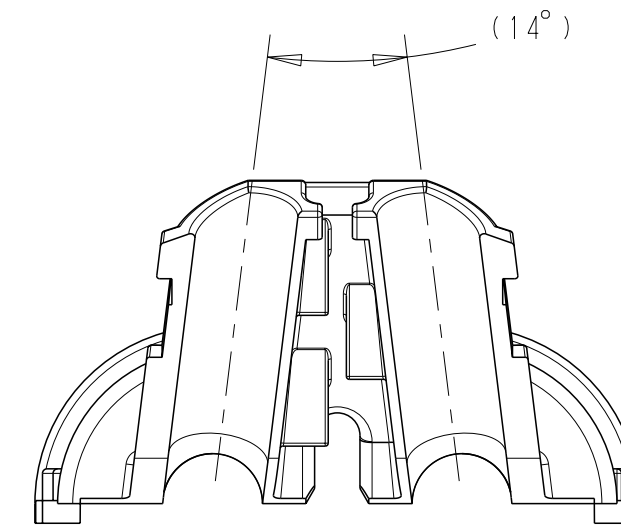
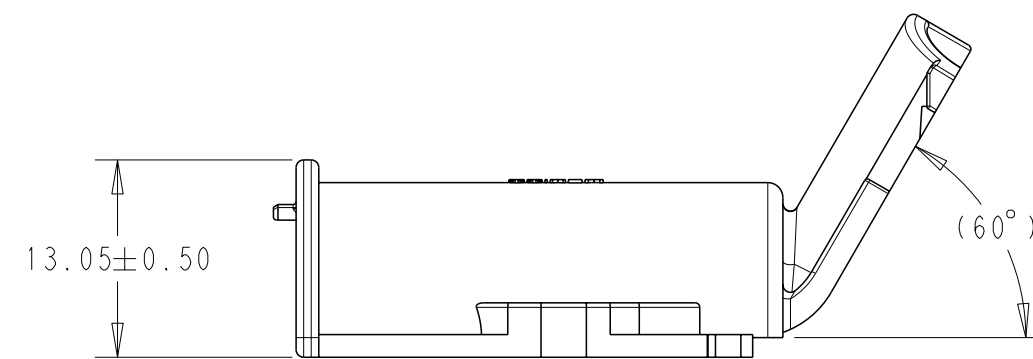
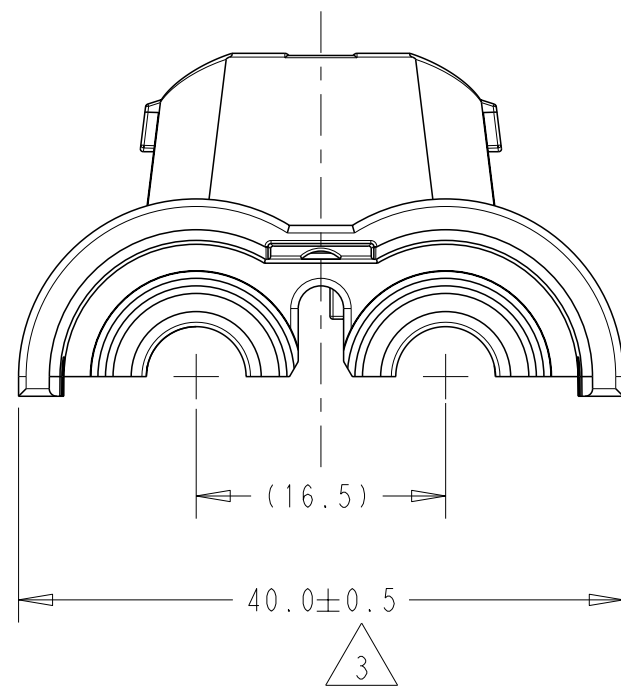


P	LTR	DESCRIPTION	DATE	DWN	APVD
A		NEW DRAWING	18DEC2019	NN	DB
A1		ADDED TOOLING DRAFTS	18FEB2020	NN	AD

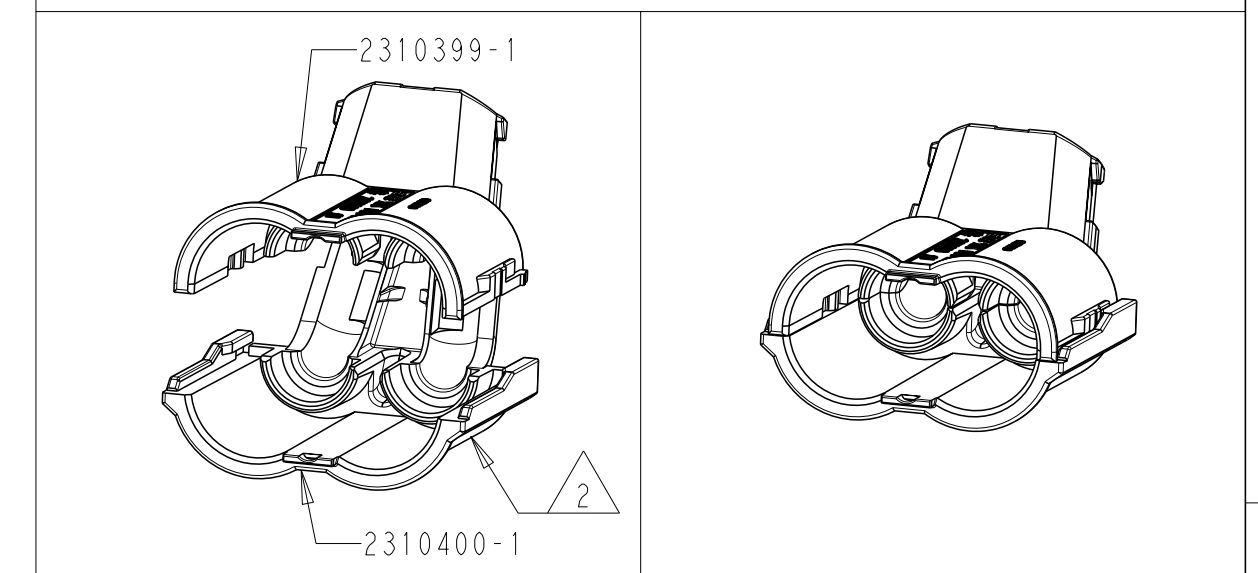


- COVER FOR 10MM² WIRE SIZE
ACC. ISO 6722-1 THIN WALL
WIRE MUST SHOULD SUPPORT BENDING RADIUS R = 1 x D
- MATING COVER HALF REQUIRED.
- WARPAGE IN "NEGATIVE-DIRECTION" ALLOWED.
- REFER TO CONNECTOR INSTRUCTION SHEET FOR PROPER ASSEMBLY OF DRESS COVERS
- PRODUCT MANUFACTURED IN MEXICO WILL BE SO MARKED



SCALE 1:1

HOW TO USE COVER



BLACK	PBT-GF 20	COVER 1 60-DEG FOR 4 POS. MIXED SOCKET HOUSING, SEALED	2310400-1	2286732	2301631	2332470	2310399-1
COLOR	MATERIAL	DESCRIPTION	REQUIRED	SUITABLE FOR USE ON TE- CONNECTORS			TE PART- NO.

THIS DRAWING IS A CONTROLLED DOCUMENT.

DIMENSIONS:	TOLERANCES UNLESS OTHERWISE SPECIFIED.
mm	
0 PLC	±1
1 PLC	±1
2 PLC	±1
3 PLC	±1
4 PLC	±1
ANGLES	±
FINISH	±
MATERIAL	SEE TABLE
	SEE TABLE

DWN	N. NAYAK	11DEC2019	TE Connectivity
CHK	M. ALLOWAY	18DEC2019	
APVD	D. BROWN	18DEC2019	
PRODUCT SPEC	NAME COVER-1 60-DEG 4 POS. MIXED SOCKET HOUSING, SEALED		
APPLICATION SPEC	SIZE A2 CAGE CODE 00779 DRAWING NO. C-2310399 RESTRICTED TO		
WEIGHT	SCALE 2:1 SHEET 1 OF 1 REV A1		
CUSTOMER DRAWING			