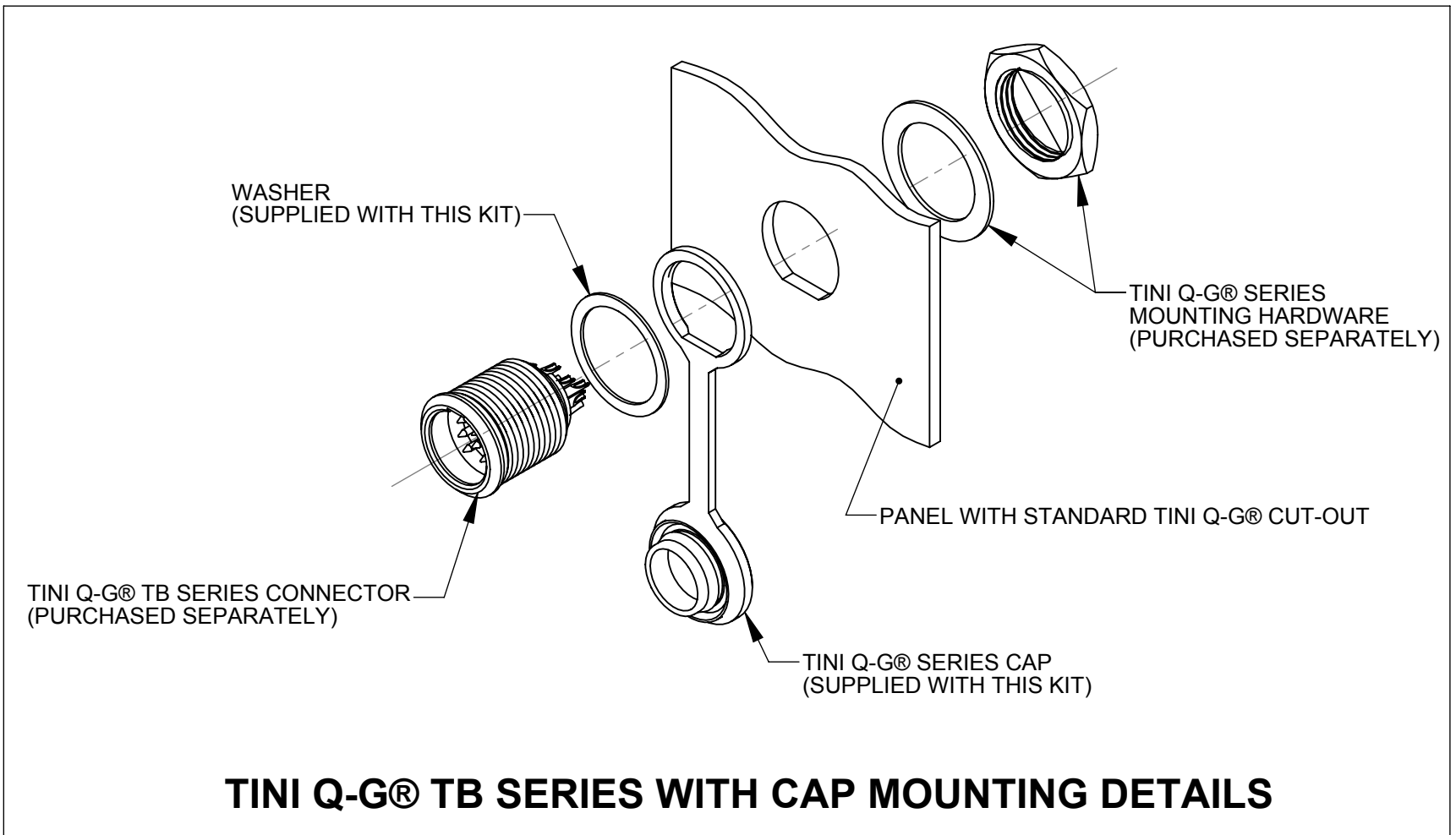
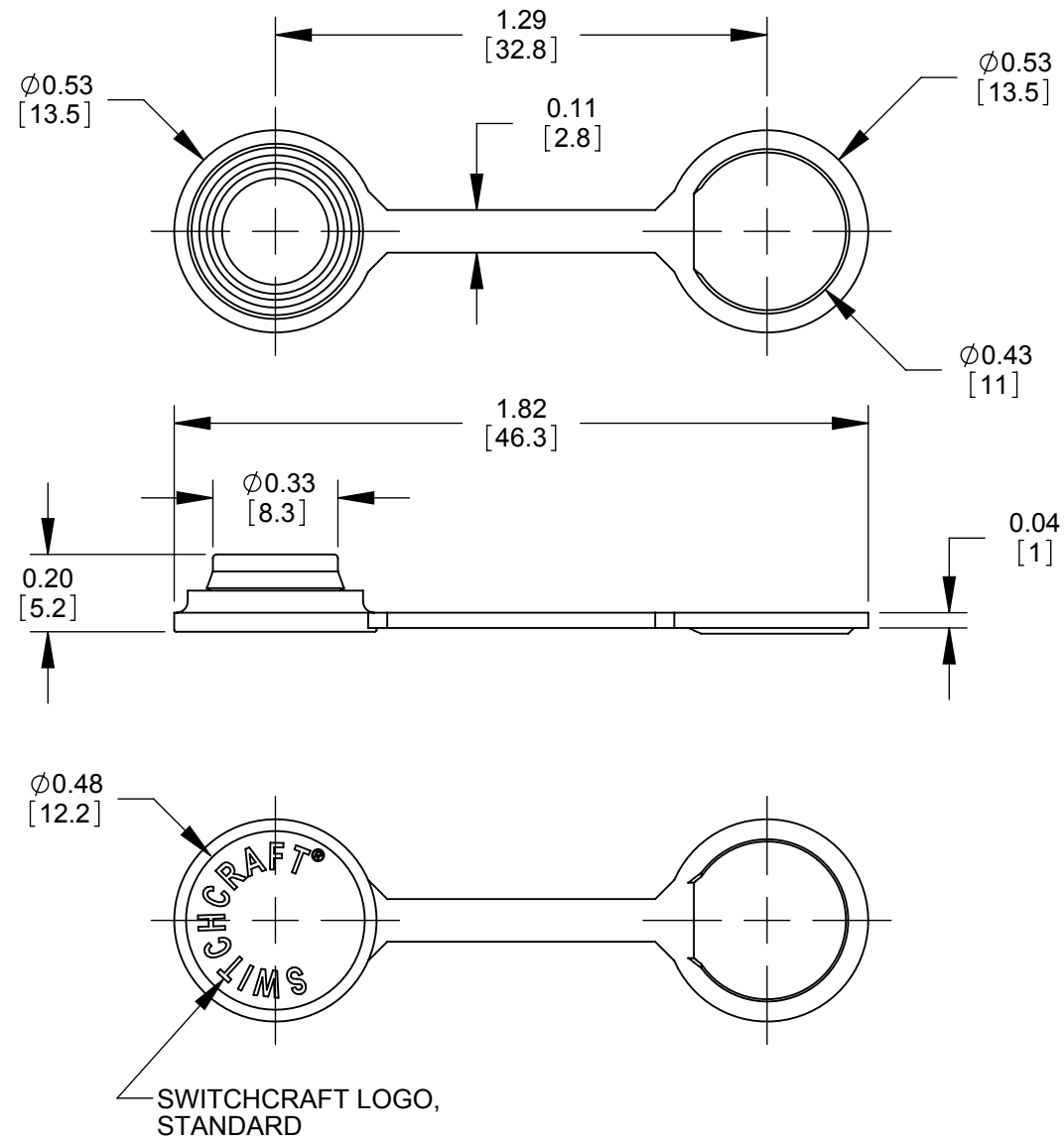


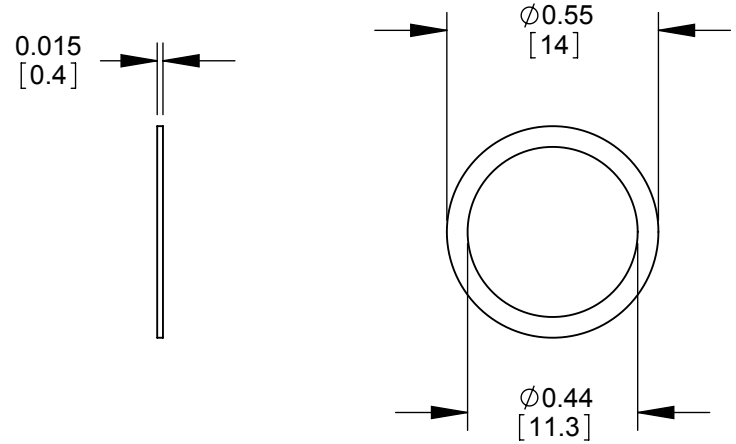
CAP



TINI Q-G® TB SERIES WITH CAP MOUNTING DETAILS

- NOTES:
1. DIMENSIONS SHOWN FOR REFERENCE ONLY
 2. MATERIAL:
CAP: THERMOPLASTIC ELASTOMER, BLACK COLOR
WASHER: STAINLESS STEEL
 3. THIS PART IS RoHS COMPLIANT

WASHER



CUSTOMER DRAWING

					THIS DRAWING DESCRIBES A DESIGN CONSIDERED PROPRIETARY IN NATURE, DEVELOPED AND MANUFACTURED BY SWITCHCRAFT INC. AND IS RELEASED ON A CONFIDENTIAL BASIS FOR IDENTIFICATION PURPOSES ONLY.					
					SIZE	WIDTH	MULT	LBS/M	TEMPER	
					FINISH			MATERIAL		
					SPEC No.			SPEC No.		
					FIRST USED ON		SCALE 2:1			
					DATE DRAWN	BY	CHKD	APVD		
					03/01/10	PNK	PNK	SRC		
							03/01/10	03/01/10		
					NAME				PART No.	REV
					CAP KIT				TINICAPT B	A
					TINI Q-G® TB SERIES					
REVISIONS					DO NOT SCALE DRAWING					
A	ECO# 26538	04/29/10	PNK	SRC						
REV	ECO NUMBER	DATE	BY	APVD						