

DRAWING MADE IN AMERICAN PROJECTION

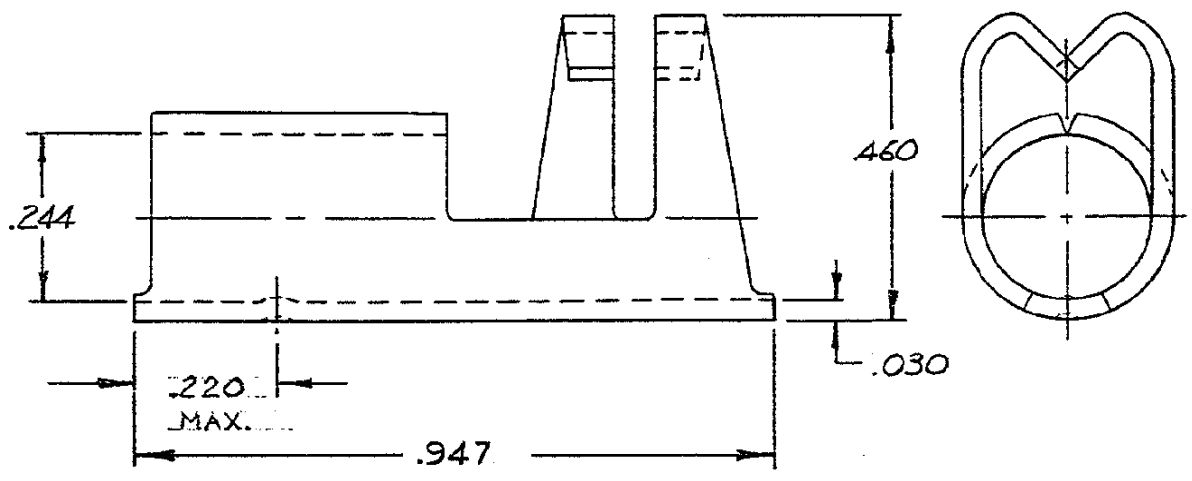
LOC **G** PRINT DIST **14 (B)**

REVISIONS

LTR	REVISION RECORD	DATE	DWN	APVD
C1	REVISED PER ECO-14-012227	30OCT2014	NK	DR

34482

**1** OBSOLETE



<del>8-34482</del>	LOOSE PC. BOX	100	<b>1</b>
34482	LOOSE PC	-	
PART NO	PACKAGE TYPE	QTY	

UNLESS OTHERWISE SPECIFIED DIMENSIONS ARE IN INCHES  
 TOLERANCES ON:  
 DECIMALS ±.008  
 ANGLES ±5°

MATERIAL  
**BRASS**  
 (MIL-C-50)

CONTRACT NO. 11

DR. *Harry Beck* 2-15-73

CHK *Am Enomeng* 2-15-73

APPD *Abel* 2-16-73

REL *Harry Beck* 2-16-73

DSGN APPD

OTHER APPD

**STE** TE Connectivity

NAME **WIRE TERMINAL  
 SPARK PLUG - STRAIGHT-ON  
 WIRE SIZE: 7 MM**

SIZE	CODE IDENT NO.	NUMBER	REV
<b>A</b>	<b>00779</b>	<b>34482</b>	<b>C1</b>

SCALE 4:1 SHEET 1 OF 1