

4

3

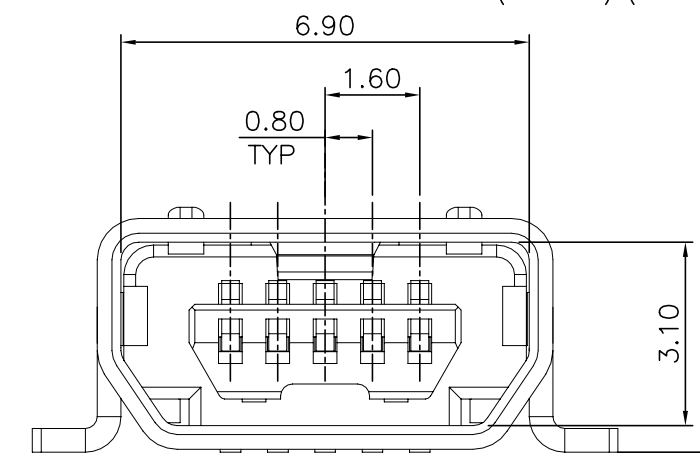
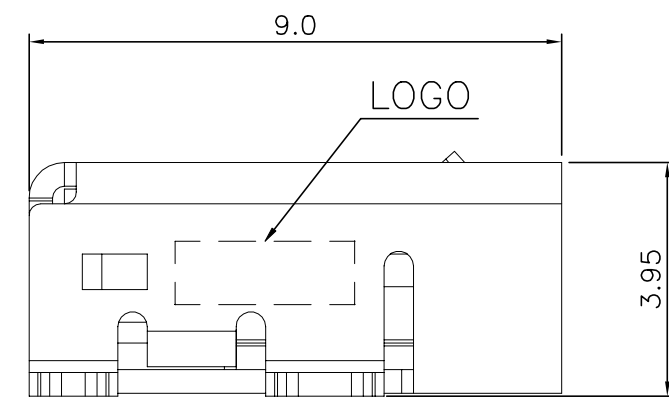
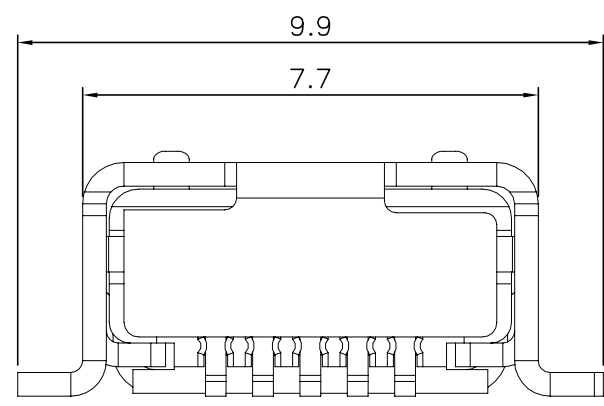
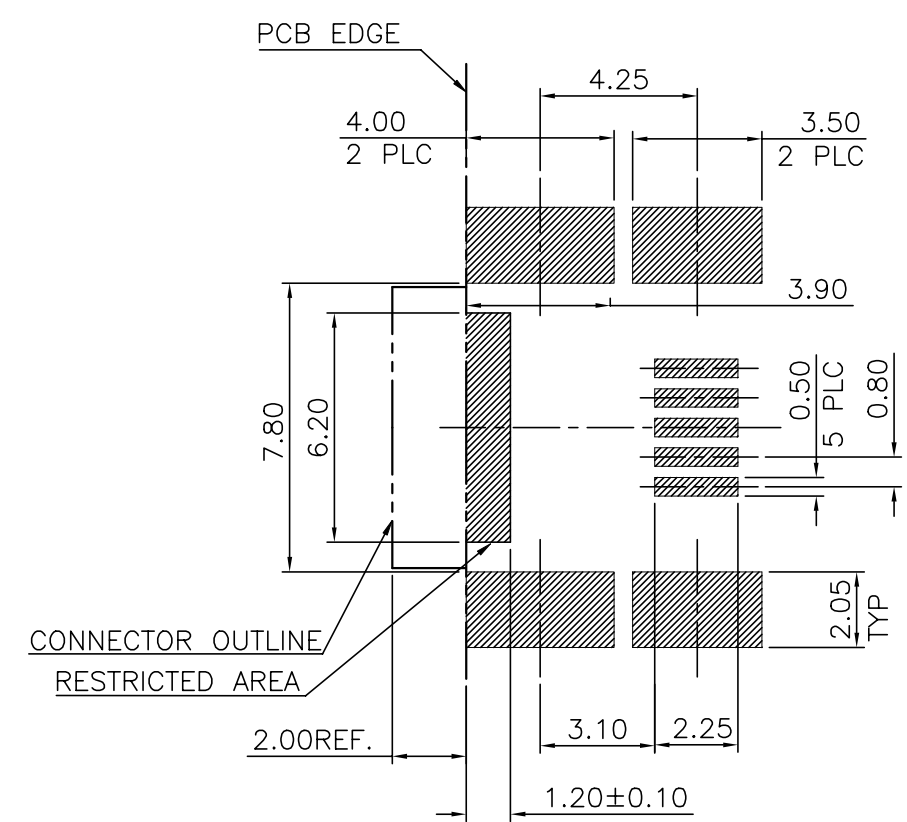
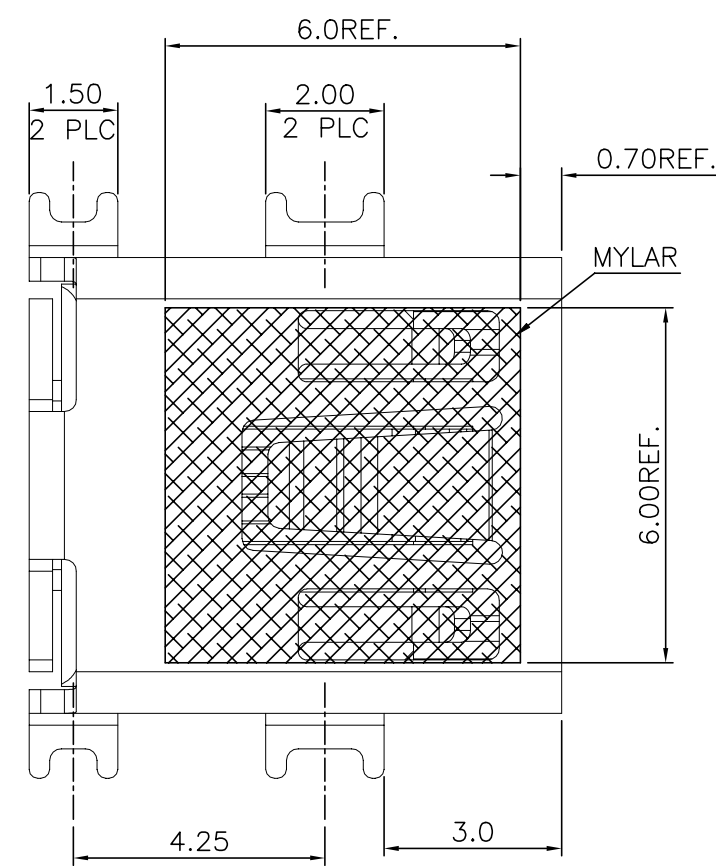
2

1

THIS DRAWING IS UNPUBLISHED. RELEASED FOR PUBLICATION  
 © COPYRIGHT 2011 BY TYCO ELECTRONICS CORPORATION. ALL RIGHTS RESERVED.

LOC	DIST	REVISIONS			
P	LTR	DESCRIPTION	DATE	DWN	APVD
DW		B	REVISED AS PER ECN-22-176158	25JUL2022	HS SZ

- NOTE:
- MATERIAL:  
 HOUSING: THERMOPLASTIC HIGH TEMP., UL 94V-0 COLOR: BLACK.  
 CONTACT: PHOSPHOR BRONZE, THICKNESS: 0.25mm.  
 SHIELD: PHOSPHOR BRONZE, THICKNESS: 0.40mm.
  - FINISH:  
 CONTACT: GOLD FLASH OVER  
 30u" MIN. PALLADIUM-NICKEL PLATING OR ALTERNATIVE  
 30u" MIN. GOLD PLATING ON CONTACT AREA  
 100u" MIN. MATTE-TIN PLATED ON SOLDER TAILS  
 50u" MIN. NICKEL UNDERPLATED ALL OVER.  
 SHIELD: 100u" MIN. HALF-BRIGH TIN PLATED OVER 80u" MIN. Cu  
 UNDERPLATED ALL OVER.
  - REFLOW SOLDER CAPABLE TO 260°C PER TE SPEC  
 109-201, CONDITION B.
  - RoHS 2002/95/EC COMPLIANT
  - CHOOSE PRE-FIX FROM LEFT TABLE AND SUFFIX FROM  
 RIGHT TABLE FOR DESIRED PART NUMBER COMBINATION.



0.10  
 ALL SOLDERTAILS  
 & MOUNT PEGS

1775051-1  
 PART NUMBER

THIS DRAWING IS A CONTROLLED DOCUMENT.		DWN	O. HU	10MAR2005	 TE Connectivity	NAME	
DIMENSIONS: mm		CHK	S. HOU	10MAR2005		MINI USB CONN., RCPT, 5 POS, SMT, AB TYPE	
		APVD	W.J. KE	10MAR2005		PRODUCT SPEC 108-57509	
TOLERANCES UNLESS OTHERWISE SPECIFIED: 0 PLC ± 0.50 1 PLC ± 0.38 2 PLC ± 0.25 3 PLC ± 0.10 4 PLC ± - ANGLES ± 3°		APPLICATION SPEC		SIZE		CAGE CODE	DRAWING NO
MATERIAL SEE NOTE		FINISH SEE NOTE		WEIGHT	A3 00779 C=1775051		
		CUSTOMER DRAWING		SCALE	SHEET	1 OF 2	REV B

4

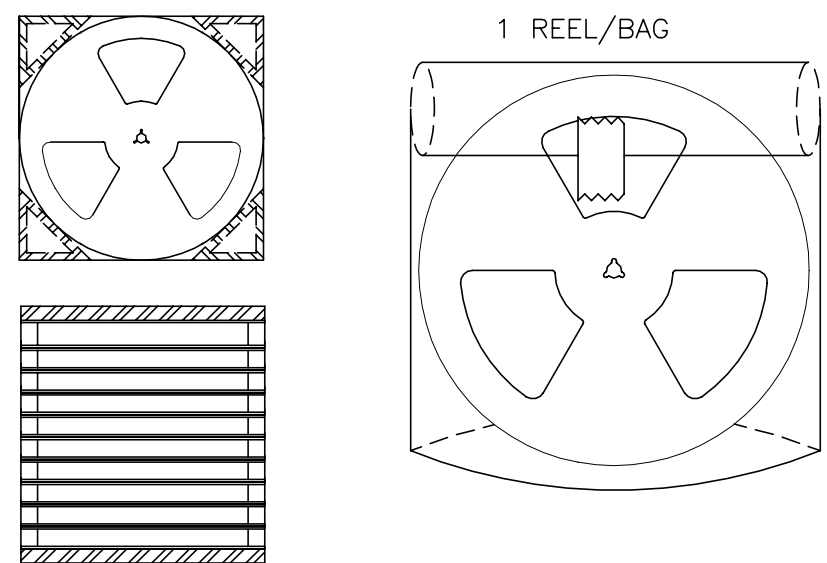
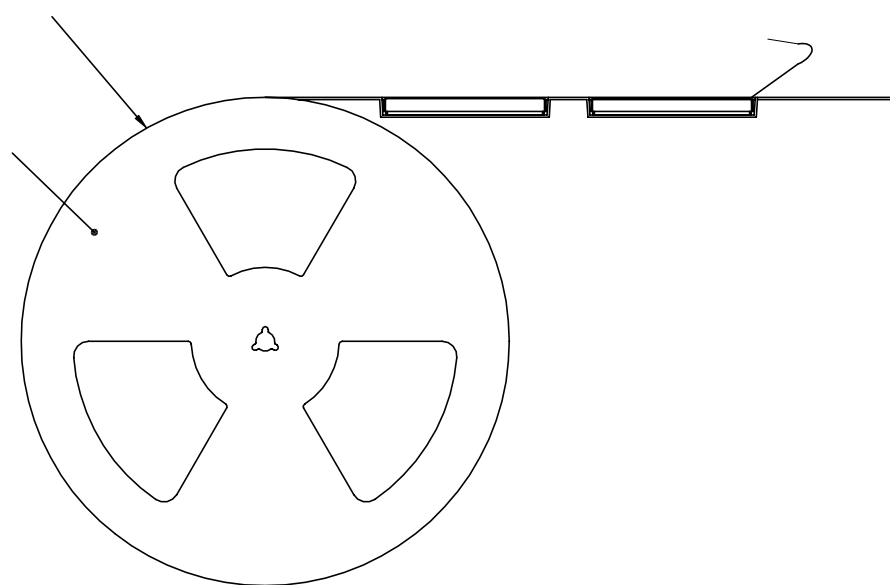
3

2

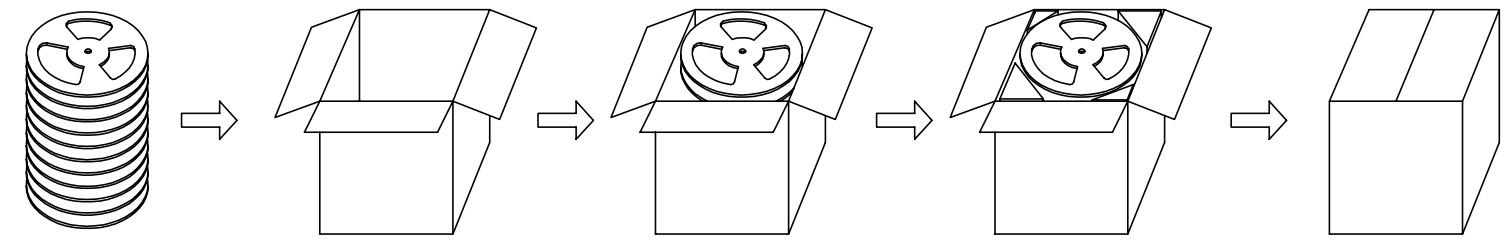
1

THIS DRAWING IS UNPUBLISHED. RELEASED FOR PUBLICATION  
 © COPYRIGHT 2011 BY TYCO ELECTRONICS CORPORATION. ALL RIGHTS RESERVED.

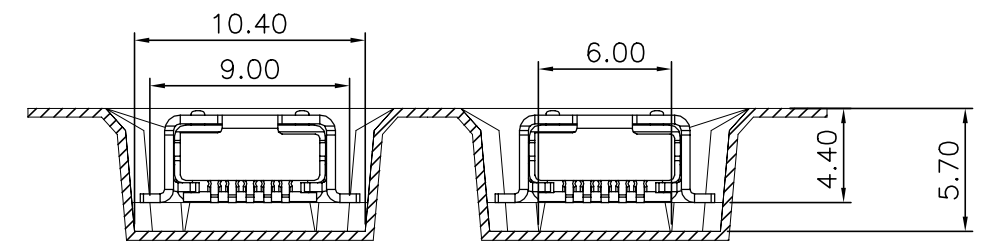
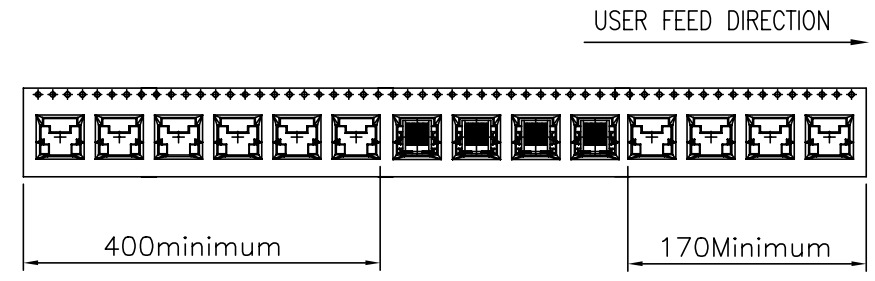
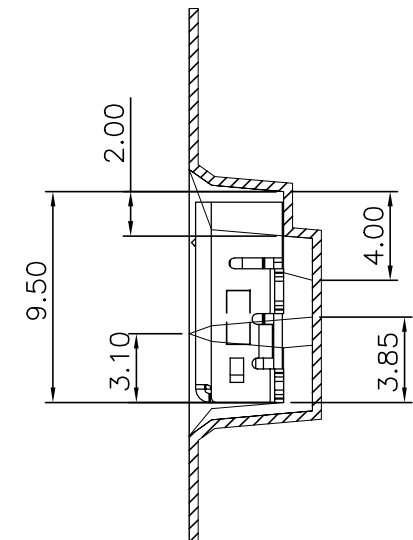
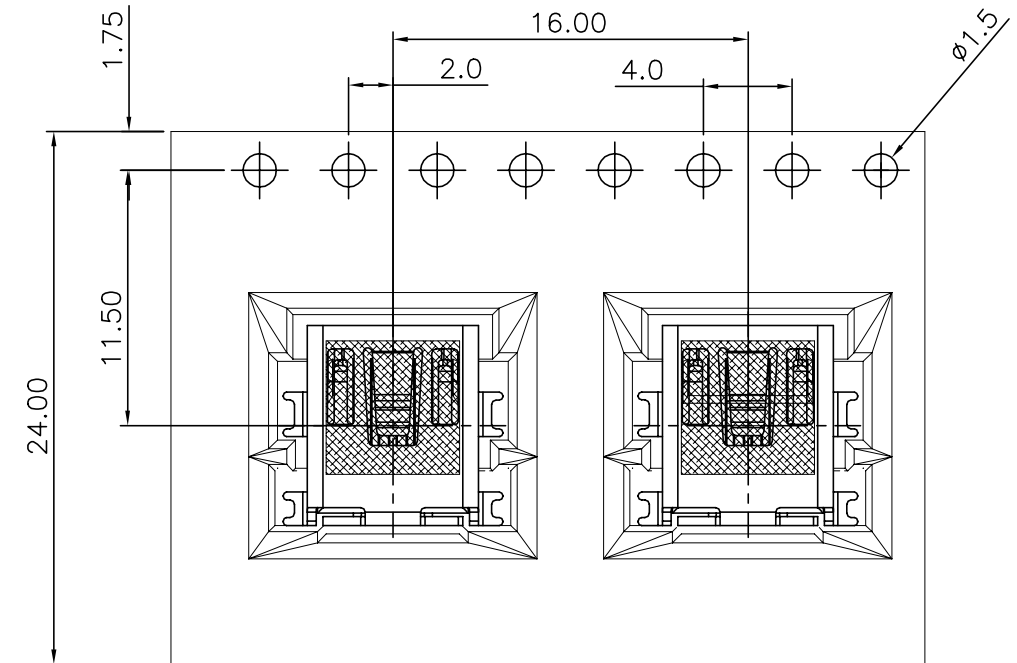
LOC	DIST	REVISIONS			
P	LTR	DESCRIPTION	DATE	DWN	APVD
DW	/	SEE SHEET 1.			



- NOTES :
- MATERIAL :
    - EMBOSSED CARRIER: PS
    - COVER TAPE: PET
    - SHIPPING CARTON: CORRUGATED FIBER.
  - DIMENSION :
    - REEL: W=24 , $\phi$ A=330
    - SHIPPING CARTON: L=349.2,W=147.6, H=156.
  - QUANTITY :
    - PRIMARY PACKING: 700PCS/REEL.
    - SECONDARY PACKING: 10REEL/ CARTON(7000PCS).
  - WEIGHT :
    - NET WEIGHT: 11.5kg/CARTON.
    - GROSS WEIGHT: 10.5kg/CARTON.
  - PEELING RESISTANCE: 10g~130g.
  - PELLING SPEED: 300mm/minutes.



BOX PACKING DRAWING



THIS DRAWING IS A CONTROLLED DOCUMENT.		DWN	TE Connectivity	
DIMENSIONS: mm		CHK	NAME	
TOLERANCES UNLESS OTHERWISE SPECIFIED:		APVD	MINI USB CONN., RCPT, 5 POS, SMT, AB TYPE	
0 PLC ± -		PRODUCT SPEC	SIZE	CAGE CODE
1 PLC ± -		APPLICATION SPEC	A3	00779
2 PLC ± -		WEIGHT	DRAWING NO	
3 PLC ± -		CUSTOMER DRAWING	C=1775051	
4 PLC ± -		SCALE	RESTRICTED TO	
ANGLES ± -		SHEET	REV	
MATERIAL		2 OF 2		B