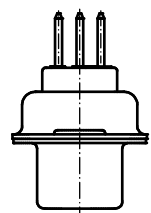
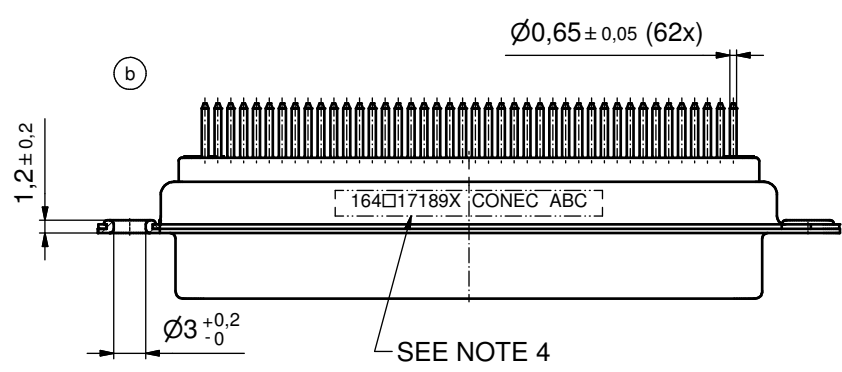
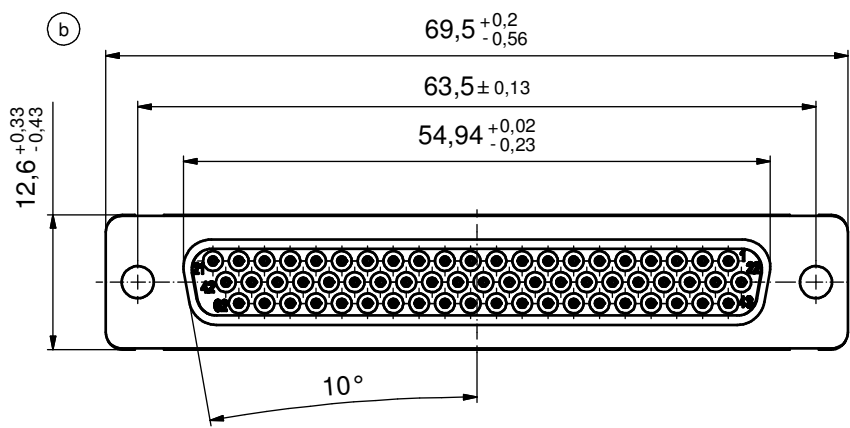
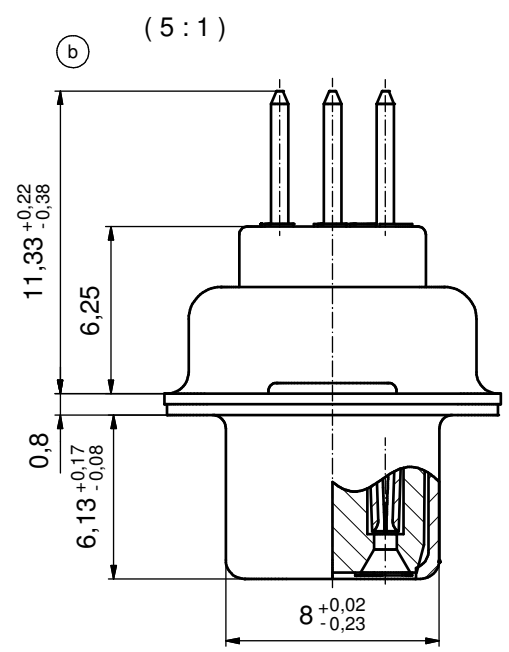
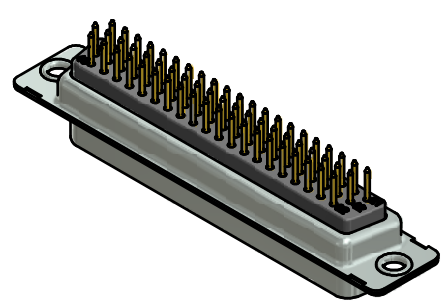


P.C.B. HOLE DRILLINGS  
(P.C.B. TOP SIDE)



NOTES:

- METALSHELLS: STEEL; min. 315µm TIN over 40-80µm NICKEL
- INSULATORS: PBT GF UL 94 V-0, BLACK
- CONTACTS: COPPER ALLOY; PLATING (SEE PART NO):
  - PLEASE ADD A for GOLD FLASH over NICKEL (PREFERRED TYPE)
  - PLEASE ADD B for 20µm HARD GOLD over min. 50µm NICKEL
  - PLEASE ADD C for 30µm HARD GOLD over min. 50µm NICKEL
- CONNECTOR IS PART MARKED: 164□17189X CONEC ABC (see note 3)



Directive 2002/95/EC RoHS compliant

THIS DRAWING MAY NOT BE COPIED OR REPRODUCED IN ANY WAY, AND MAY NOT BE PASSED ON TO A THIRD PARTY WITHOUT WRITTEN PERMISSION. OWNERSHIP AND COPYRIGHT OF CONEC GmbH DO NOT ALTER CAD DRAWING BY HAND				tolerance		dim. in mm	scale: 2:1 (5:1)		
				date			material: SEE NOTES		
6 x b		Ä5160	21.07.14	K.H.		drawn 21.07.14 Henneboel appd. 21.07.14 Lehmenkühler norm d-old 16K1A612/16K1A2351		title: D-SUB HD FEMALE 62pos. SOLDER PIN STRAIGHT	
a		Original					dwg no: 16K1A3428		DIN-A3 sh: 1
rev.		description	date	name	part no: (b) 164□17189X (see note 3)				