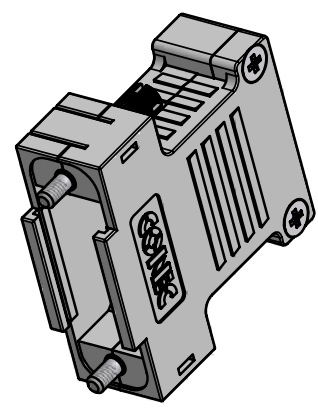


ISO VIEW1

Directive 2002/95/EC
"RoHS"
Compliant



ISO VIEW2

NOTES:
Plastic Material: PA 6.6 GF 25, UL 94 V-0
Color: Dolphin Grey

Screw Material: Steel
Screw Finish: Nickel plated

THIS DRAWING MAY NOT BE COPIED, OR REPRODUCED IN ANY WAY AND MAY NOT BE PASSED ON TO A THIRD PARTY WITHOUT WRITTEN PERMISSION. OWNERSHIP AND COPYRIGHT OF CONEC CORPORATION DOT NOT ALTER CAD DRAWING BY HAND	Customer:			Tolerance Unless otherwise specified		Scale: 1.5:1	Dim. in mm		
	Name			Dimensional: +/- 0.25mm			Autodesk Inventor	Material: SEE NOTES	
	Approval Date			Angular: +/- 1 degree		Title:		3W3 Hood (Straight) for 2 Power Contacts with OD=8.43 +/- 0.15 AWG6 Cable	
	2005			Date		Name			
	Draw.			Sept. 01		Vincent Ke			
	Appd.			Sept. 01		J. Chaudry			
	Norm					Drawing No.:		C0412E26A	
	D-old					Part No.:			
	Rev.			Changes		Date		Name	
								DIN A3	
							Sheet 1/1		