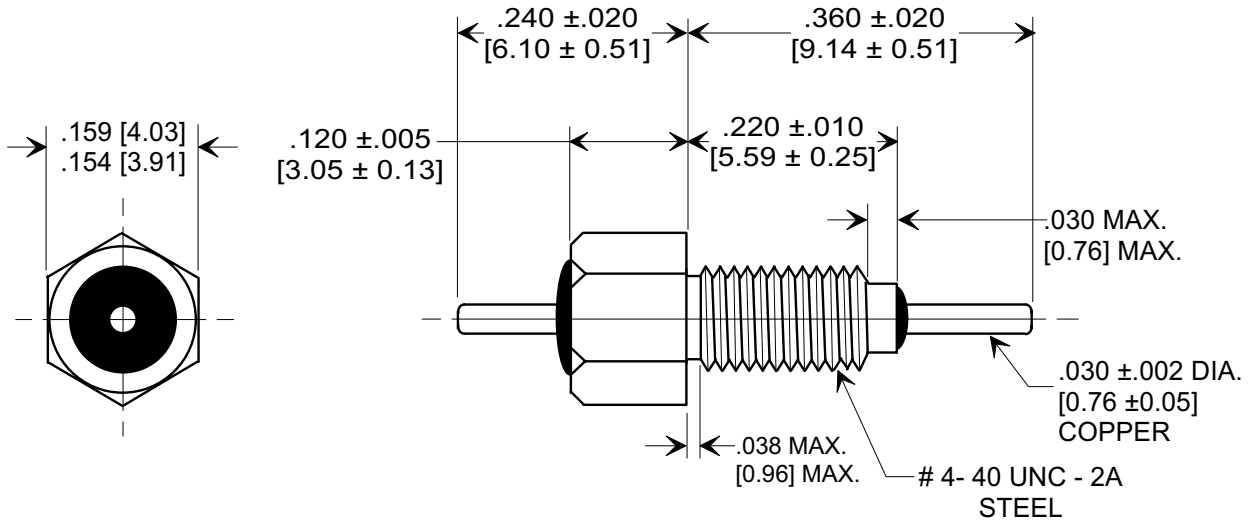
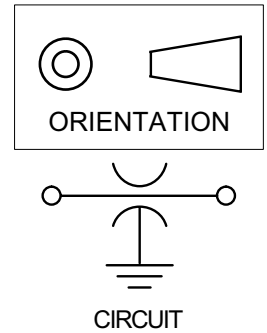


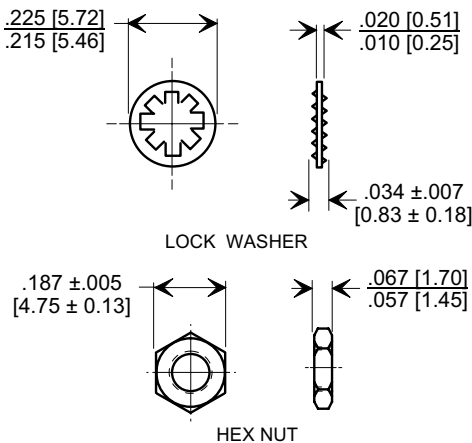
MARKETING SALES DRAWING

Electrical Testing
per Tusonix standard
test plans and Mil-Std-202
Test Methods.

DIMENSIONS IN INCHES - DO NOT SCALE THIS DRAWING
DIMENSIONS IN METRIC - []



MOUNTING HARDWARE



NOTES:

- TUSONIX STANDARD PART NUMBER: 4400-033.
TUSONIX RoHS COMPLIANT PART NUMBER: 4400-033 LF.
CUSTOMER MUST SPECIFY STANDARD OR RoHS PART NUMBER WHEN ORDERING.
- LEAD, BUSHING, AND MOUNTING HARDWARE: SILVER PLATED.
- PART MARKING: TRADEMARK AND VARIATION NUMBER ON HEX FLATS. STANDARD PART: BLACK INK. RoHS PART: GREEN INK.
- OPERATING TEMPERATURE RANGE : -55°C TO +125°C.
- MAX. RECOMMENDED SOLDERING TEMPERATURE: 260°C.
- SUPPLIED WITH HEX NUT AND INTERNAL TOOTH LOCK WASHER.
- MAX. RECOMMENDED MOUNTING TORQUE - 2.0 lb.-in. [.226 Nm].

| CAP.(pf) | TOLERANCE | DC WORKING VOLTAGE | | I.R. MIN. @ 100 (VDC.) | DWV (VDC) | DC CURRENT (AMPS) | MIN. NO LOAD INSERTION LOSS (dB) @ 25°C PER MIL-STD-220 | | | | |
|----------|-----------|--------------------|-------|------------------------|-----------|-------------------|---|--------|---------|-------|--------|
| | | 85°C | 125°C | | | | 1 MHz | 10 MHz | 100 MHz | 1 GHz | 10 GHz |
| 2700 | GMV | 150 | 100 | 10 G Ω | 250 | 10 | ---- | 10 | 25 | 40 | 50 |

| | | | | | | | | | | | |
|--------------|---|----------|---|----------|---|----------|--|-----------------------------------|--|---------------------|-----------------|
| X-2015 Rev-0 | REVISION RECORD | | | | | | --TOLERANCES-- Unless Otherwise Specified | | Title BUSHING STYLE EMI FILTER | | |
| | Original Release C.O. 20011102-1-02 VARS 035,036,037 & 1MHz COLUMN ADDED. L.E. 11-07-90 | 1 | RDN TO COMP FMT & ADDED METRIC. S.M. 11-08-01 | 2 | REVISED DWG. DRAWING MADE FOR EACH VAR. S.M. 11-19-02 | 3 | REVISED AND ADDED NOTES. S.M. 12-14-05 | 4 | DECIMAL ± NOTED | Drawn S.M. 11-08-01 | Scale 5 X |
| | 5591 | | | | | | | ANGLES ± | Approved B.Mc. 11-08-01 | | |
| | | | | | | | | TUSONIX TUCSON, ARIZONA | | A | 4400-033 |