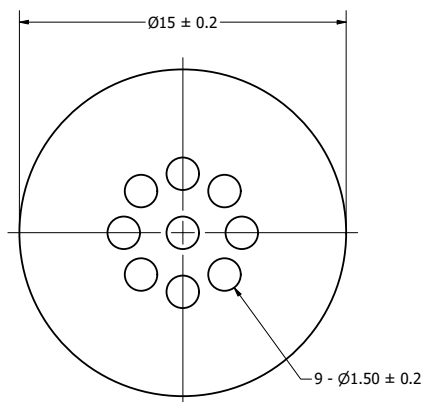
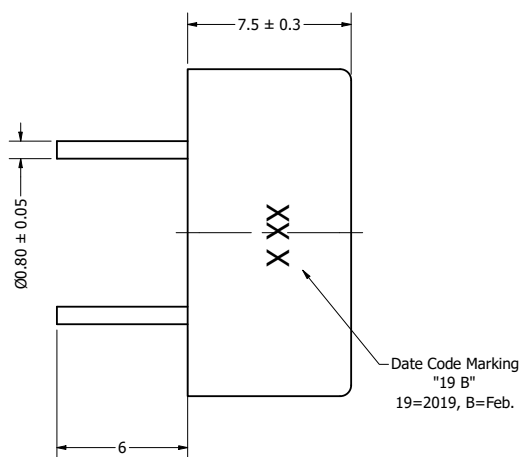


Part Number:	SM151708-1	
	DRAWN CJ	2/13/2019
Description:	Dynamic Speaker	
	CHECKED C.H.	2/15/2019
	APPROVED C.E.	2/15/2019
This document contains data proprietary to DB Unlimited. Any use or reproduction, in any form, without prior written permission of DB Unlimited is prohibited. All terms and conditions can be found at www.dbunlimitedco.com		

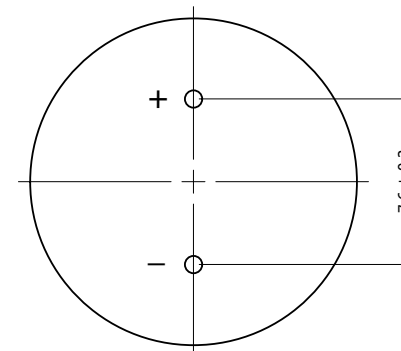
Top View



Side View



Bottom View



Items	Specifications	Conditions
Sound Pressure Level	92	dB (@ 10cm), Avg.
Resonant Frequency	1,700	Hz
Frequency Range	1,700 ~ 20,000	Hz
Nominal Power	0.3	W
Max. Power	0.5	W
Impedance	8	Ω
Cone Material	Mylar	
Mount Type	Thru-Hole	
Storage Temperature	-30 ~ +70	°C
Operating Temperature	-20 ~ +60	°C
Weight	2	g

REVISION HISTORY			
REV	DESCRIPTION	DATE	APPROVED
	Released from Engineering	2/8/2014	J.S.
1	Updated to new drawing template, SPL	2/15/2019	C.E.
2	Updated temps	5/29/2019	C.E.

NOTES	
1)	All dimensions are in mm unless otherwise noted
2)	All tolerances are ± 0.5 mm unless otherwise noted
3)	All parts meet RoHS
4)	Subject to change or redrawn without notice