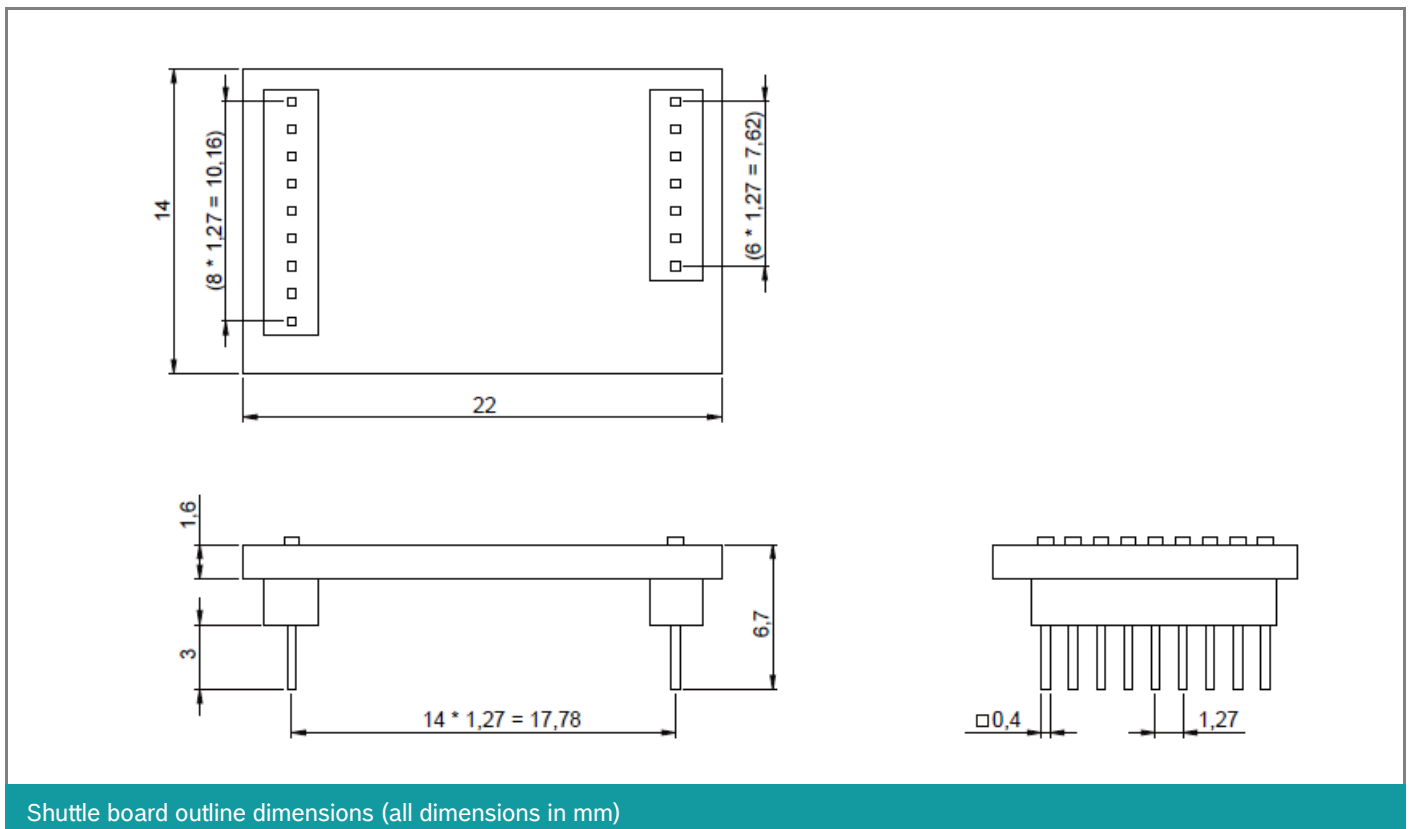
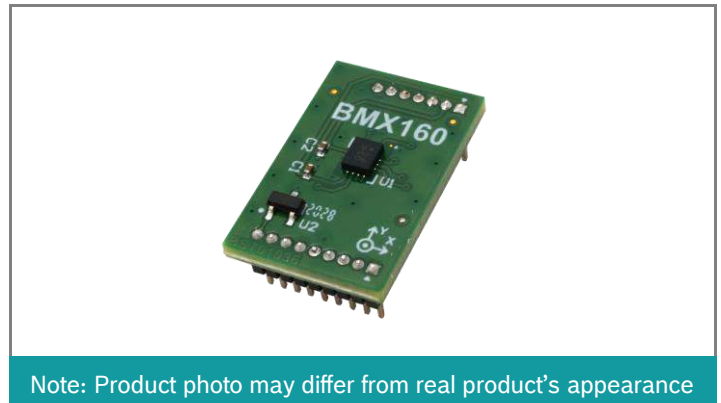


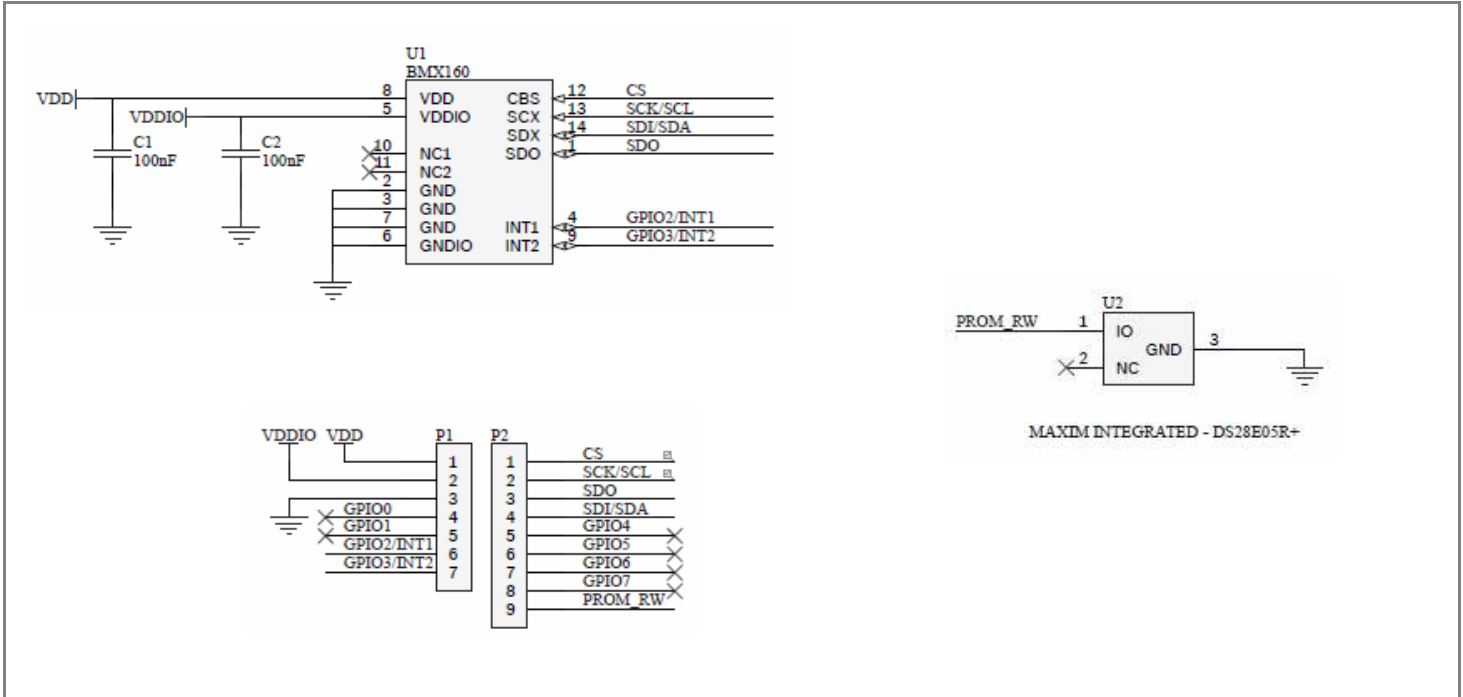
BMX160

Shuttle board 3.0 flyer

GENERAL DESCRIPTION

The Bosch Sensortec BMX160 shuttle board 3.0 is a PCB with the accelerometer BMX160 mounted on it. In combination with the application board 3.0, the shuttle board can be used to evaluate various functionalities provided on BMX160. The shuttle board allows easy access to the sensor pins via a simple socket and can be directly plugged into the Bosch Sensortec's application board 3.0.





Electrical layout

DESIGNATOR P1 SHUTTLE BOARD CONNECTOR

Pin	Pin name	Description
1	VDD	Power supply
2	VDDIO	Power supply
3	GND	Ground
4	GPIO0	NC
5	GPIO1	NC
6	GPIO2/ INT1	Interrupt pin 1
7	GPIO3/ INT2	Interrupt pin 2

Shuttle board identification:

- ▶ Shuttle ID: 0xD8
- ▶ Shuttle board identifier: BST01036

DESIGNATOR P2 SHUTTLE BOARD CONNECTOR

Pin	Pin name	Description
1	CS	Chip selection pin of SPI bus
2	SCK/SCL	Clock pin for SPI/ I2C bus
3	SDO	Master-input-slave-output data pin of SPI bus
4	SDI/SDA	Master-output-slave-input data pin for SPI/I2C bus
5	GPIO4	NC
6	GPIO5	NC
7	GPIO6	NC
8	GPIO7	NC
9	PROM_RW	Connect to EEPROM

Headquarters
Bosch Sensortec GmbH

Gerhard-Kindler-Strasse 9
72770 Reutlingen · Germany
Telephone +49 7121 3535 900
Fax +49 7121 3535 909

www.bosch-sensortec.com