

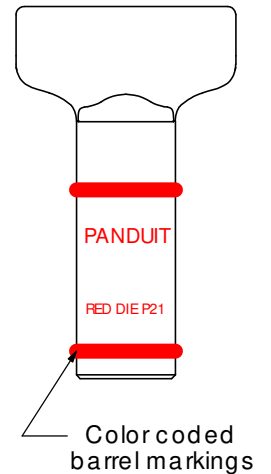
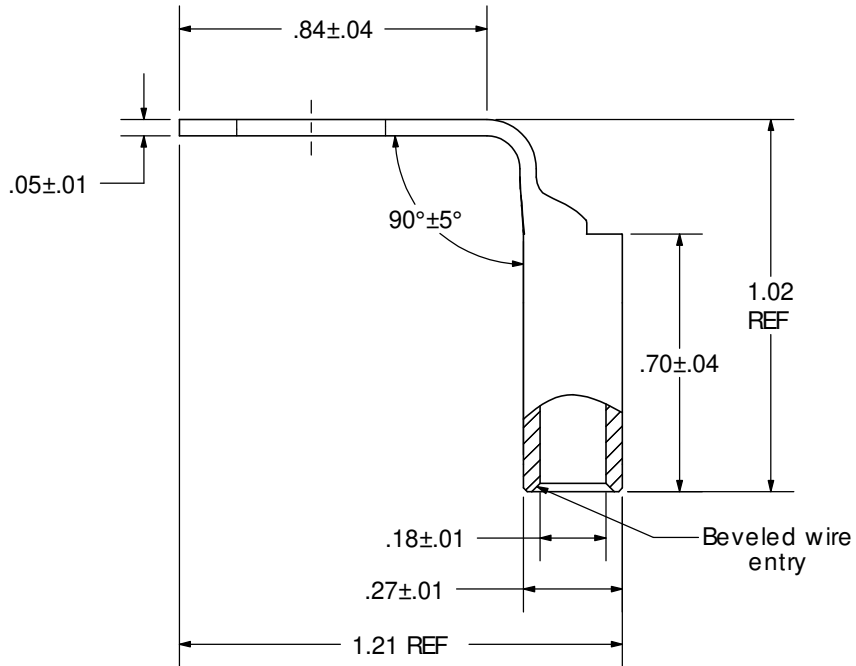
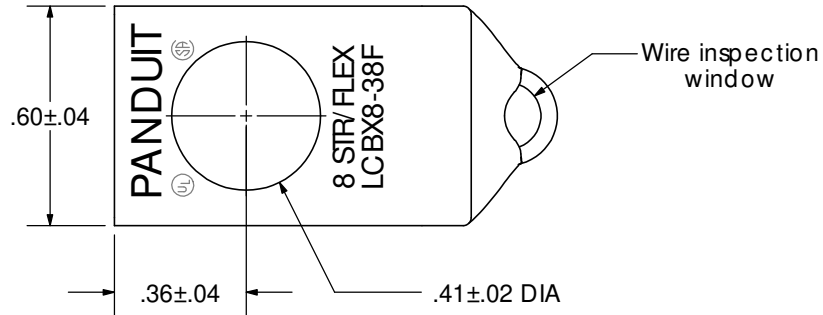
THIS COPY IS PROVIDED ON A RESTRICTED BASIS AND IS NOT TO BE USED IN ANY WAY DETRIMENTAL TO THE INTERESTS OF PANDUIT CORP.

Material	High Conductivity Seamless Copper Tube
Plating	Electro-Tin
Wire Size	8 STR/FLEX
Wire Type	Stranded Copper: Class B & C Compact, Class G, H, I, K, M, Locomotive
Wire Strip Length	3/4 in.
Stud Size	3/8 in.
UL Listed Wire Connector	Yes, for applications up to 35kv. Consult cable manufacturer for voltage stress relief instructions with applications greater than 2000 volts.
UL Temperature Rating	90° C
C.S.A Certified Wire Connector	Yes
Panduit Color Code on Barrel	RED
Panduit Die Index No. on Barrel	P21
Alternate Industry Die Index No. () on Barrel	N/A



CERTIFIED

LISTED Wire Connector



00	6/03	SAC	RELEASED	10850
REV	DATE	BY	CHK	DESCRIPTION

PANDUIT CORP. TINLEY PARK, ILLINOIS

LCBX8-38F-L
Copper Lug - One-Hole, Long Flex Barrel, 90° Angle Tongue

SCALE N/A DRAWING NO / CAD FILE LCBX8-38F-CUST