

Display can be adjusted to a desired viewing position by tilting and swiveling the bracket.

Maintenance

Please check that the wall mount is secure and safe to use at regular intervals. If you have any questions regarding any of the instructions or warnings, please contact your local distributor (OR) contact QualGear technical support via email at support@qualgear.com.

ULTRA LOW PROFILE ARTICULATING TV WALL MOUNT



55" MAX
For Most 23" to 55" Flat Screen TVs and Monitors

CAUTION!
Do not exceed the maximum rated weight specified. Otherwise, serious injury or property damage may occur.

VESA
75x75 | 100x100 | 200x100 | 200x200
300x300 | 400x200 | 400x400



www.qualgear.com

■ 1 Year Limited Warranty

■ Version August 2015

NOTE Please read the entire installation manual before you start installation and assembly.

WARNING

- Do not begin to install your QualGear product until you have read and understood all the instructions and warnings contained in this installation manual. If you have any questions regarding the instructions, for US customers please contact QualGear customer support via email at support@qualgear.com. For all international customers, please contact your local distributor.
- This product should only be installed by someone of good mechanical aptitude, has experience with basic building construction, and fully understands these instructions.
- This product was designed to be installed and utilized only as specified in this manual. Improper installation of this product may cause damage or serious injury. QualGear is not liable for the improper use or installation of its products.
- Make sure that the supporting surface will safely support the combined load of the equipment and all attached hardware and components.
- Always use an assistant or mechanical lifting equipment to safely lift and position the equipment.
- This product was designed to be installed on the following wall construction only:

WALL CONSTRUCTION

Wooden Stud
Wooden Beam
Solid Concrete
Other

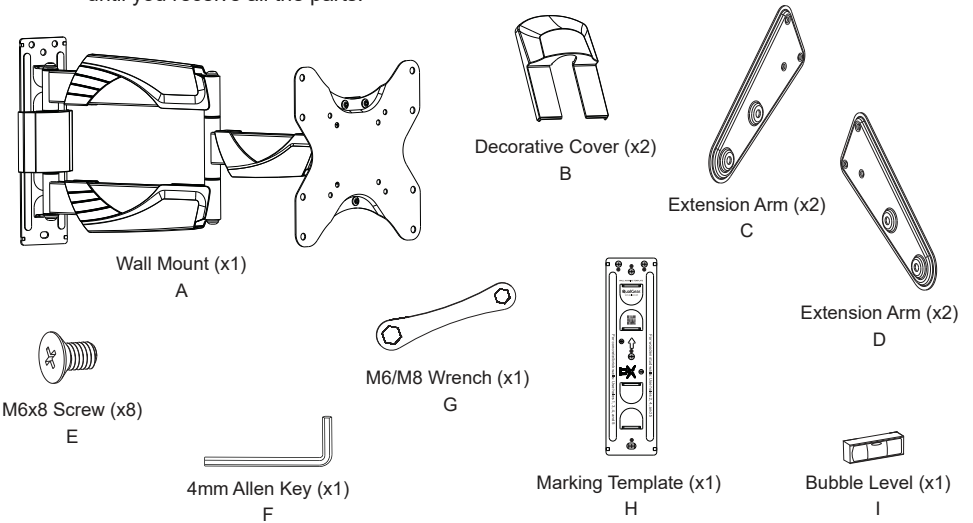
HARDWARE REQUIRED

Included
Included
Included
Contact Qualified Professional

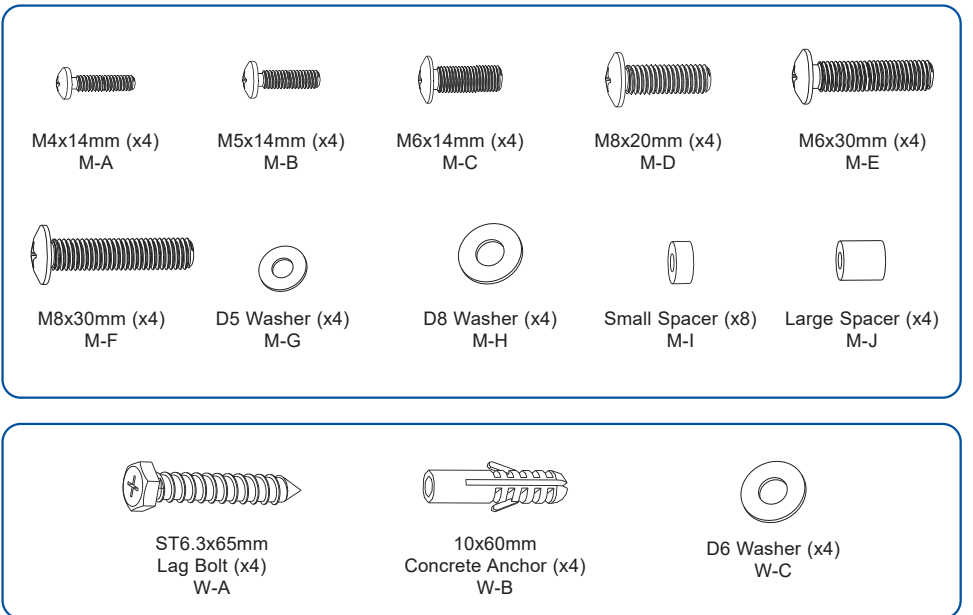
- Tighten screws firmly, but do not over tighten. Over tightening can damage the items, greatly reducing their holding power.
- ALL QUALGEAR products are intended for indoor use only and any outdoor use voids the limited warranty.
- ALL QUALGEAR products are designed and tested for residential use only and any commercial use voids the limited warranty. For warranty information, please visit <http://www.qualgear.com/warranty.php>.
- If mounting to wooden studs, make sure that mounting screws are anchored into the center of the studs. Use of an edge-to-edge stud finder is highly recommended.
- Never exceed the maximum rated weight specified in this manual.
- All bolts and screws must be used at the designated points in the installation instructions to prevent property damage and/or personal injury.
- DO NOT install near air conditioner vents or where there is excessive dust or smoke.
- When drilling holes in the wall, it is very important to take care of electrical cables, water, or gas pipes in the wall.

Parts Checklist

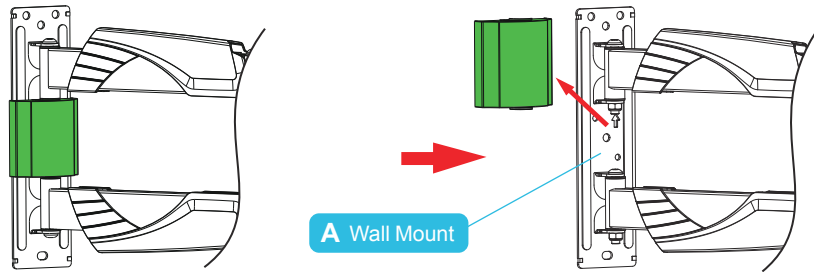
IMPORTANT: Before starting installation, please check that all parts shown in this checklist are included. If any parts are missing or damaged, contact your local distributor or support@qualgear.com for replacement parts and do not start assembly and installation until you receive all the parts.



Hardware Package

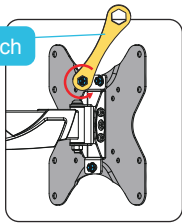


1 Separating the Center Decorative Cover from the Wall Mount

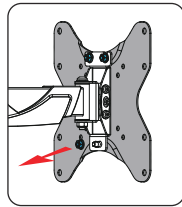


2 Removing the VESA Plate

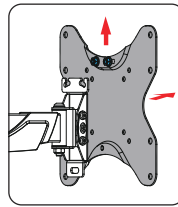
G Wrench



Loosen the top screws on the VESA plate.

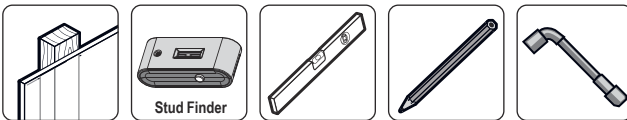


Remove the bottom screw on the VESA plate.



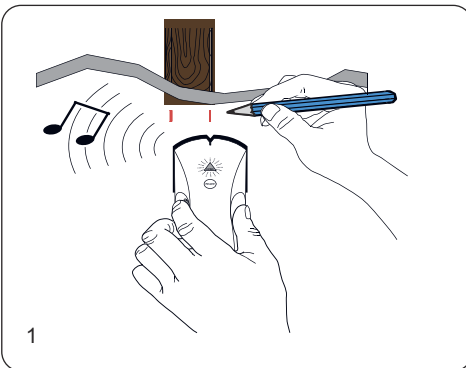
Lift and remove the VESA plate from the mount.

3a Mounting to a Wooden Stud Wall



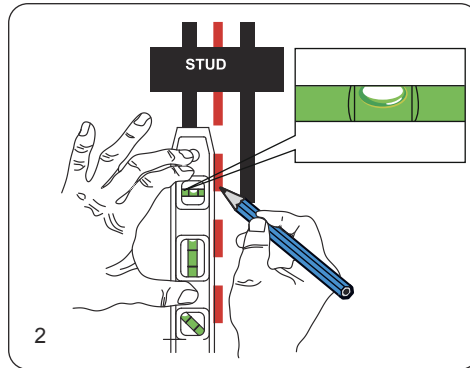
NOTE

For concrete wall mounting, follow Step 3b.



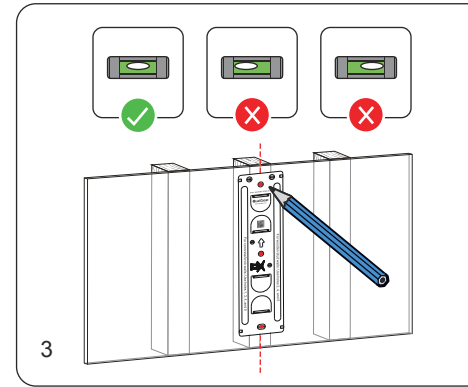
1

Using an edge-to-edge stud finder, find the edges of the stud.



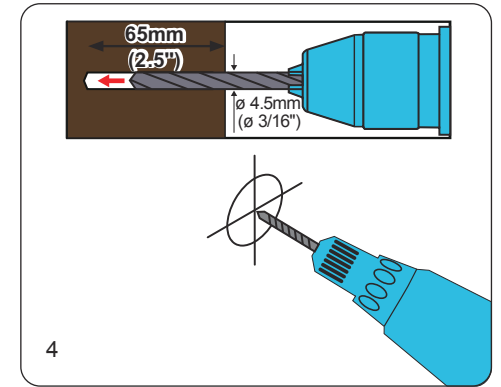
2

Using a level, mark the centerline of the stud.



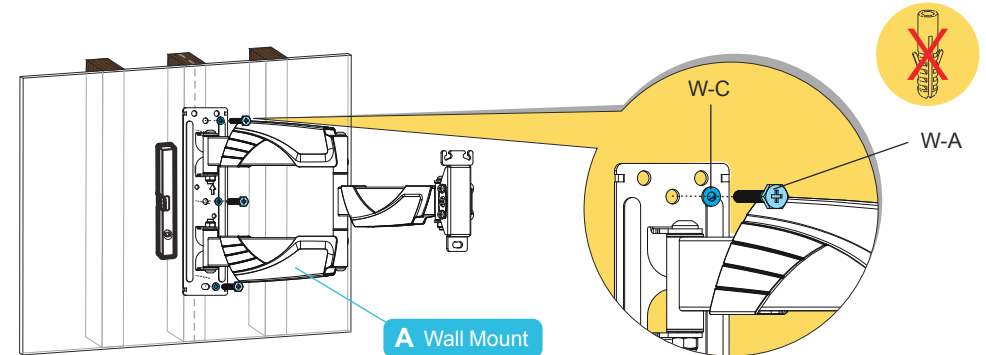
3

Using the marking template (H) provided, mark three holes for drilling on the centerline of the stud.



4

Using a power drill and 3/16" drill bit, drill pilot holes of 3/16" (4.5 mm) diameter and at least 2.5" (65 mm) depth.



5 Mount the wall mount (A) and tighten with the provided lag bolts (W-A) and D6 washers (W-C) using a socket wrench.

NOTE

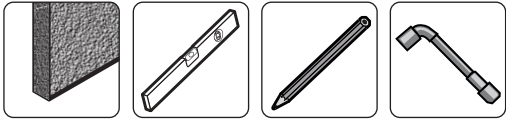
Do NOT use power drill and NOT over tighten the lag bolts.

! WARNING

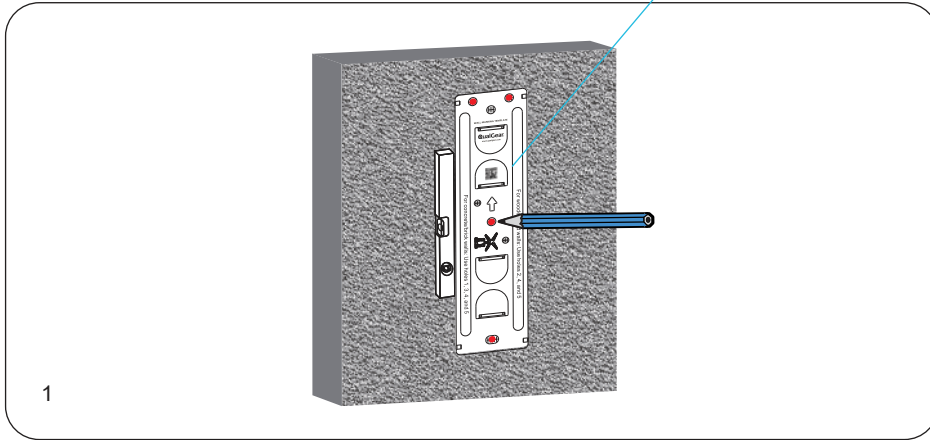
- Make sure that mounting screws are anchored into the center of the studs. The use of a stud finder is highly recommended.
- Installers are responsible to provide hardware for other types of mounting situations.
- Installers must verify that the supporting surface will safely support the combined weight of the equipment and all attached hardware and components.

SKIP TO STEP 4 →

3b Mounting to a Concrete Wall

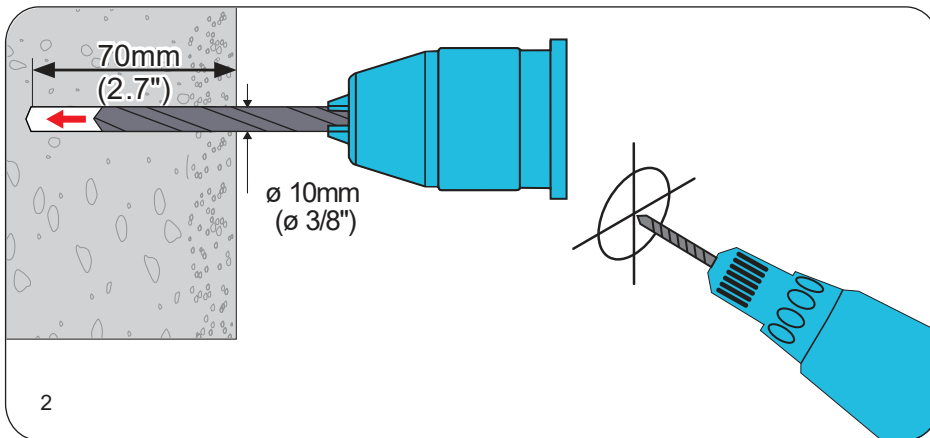


H Marking Template



1

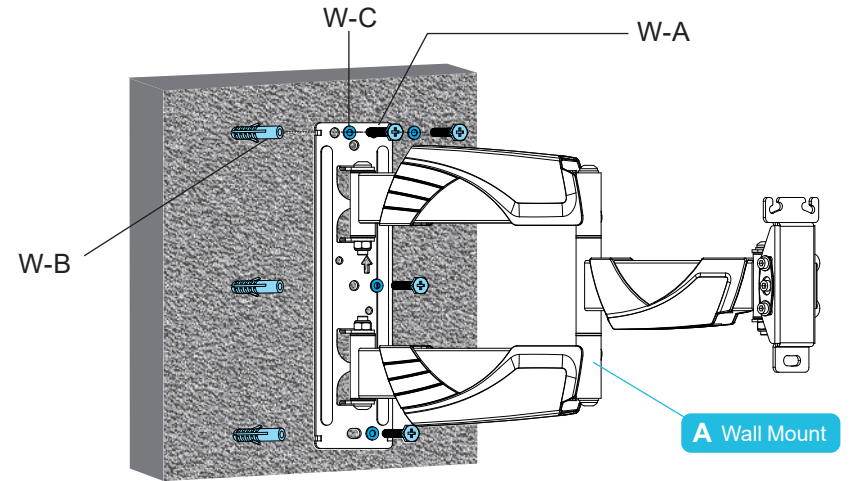
Hold the marking template (H) provided against the wall where you want to install the TV, mark four holes for drilling.



2

Using a power drill and a 3/8" masonry drill bit, drill mounting holes of 3/8" (10 mm) diameter and 2.7" (70 mm) depth at the marked locations in the previous step.

NOTE Do NOT use power drill and do NOT over tighten the lag bolts.

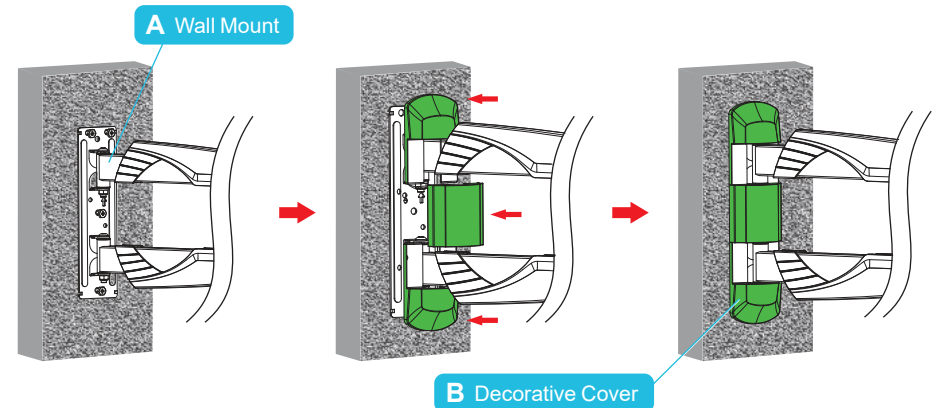


3 Place concrete anchors (W-B) in each hole. Tap each anchor flush with the wall using a hammer. Using a socket wrench, mount the wall mount (A) and fasten them with the provided lag bolts (W-A) and D6 washers (W-C).

WARNING

- Installers must verify that the supporting surface will safely support the combined weight of the equipment and all attached hardware and components.

4 Installing the Decorative Covers



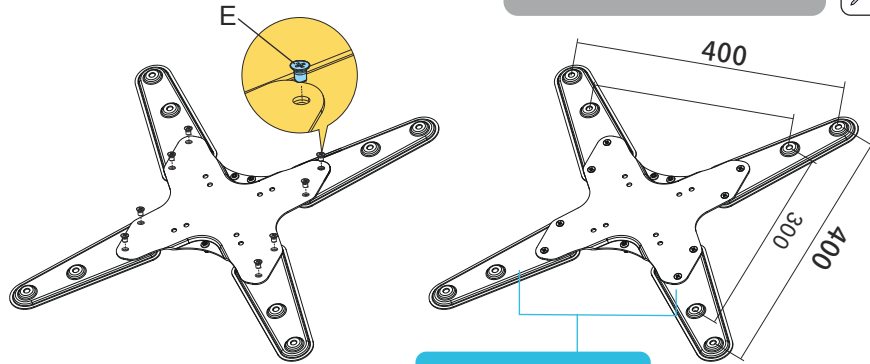
B Decorative Cover

5 Attaching the VESA Extension Arms

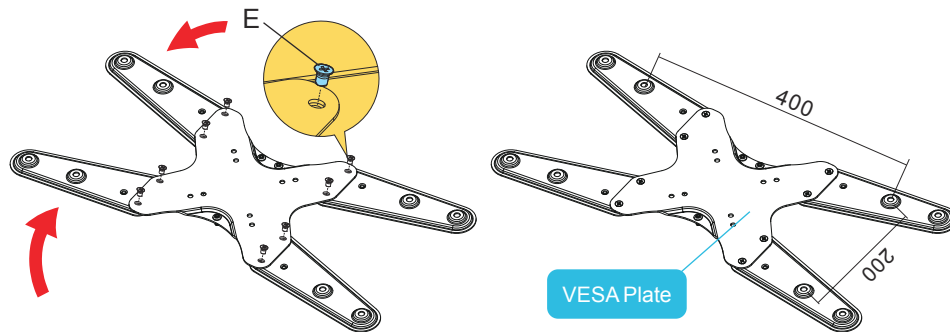
For VESA: 300x300, 400x400mm

NOTE

For VESA 200x200 or lower, extension arms are not necessary



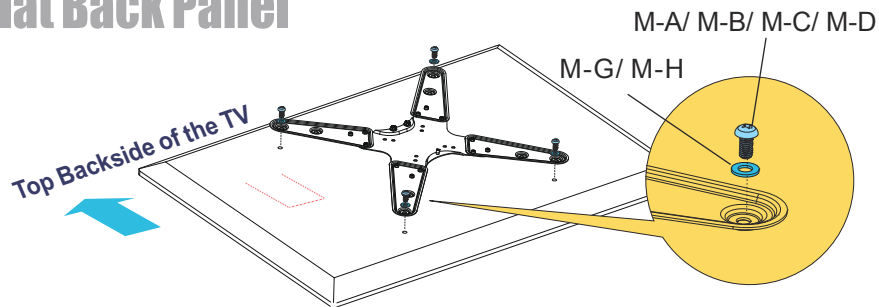
For VESA: 400x200mm



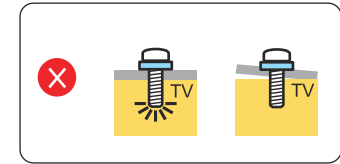
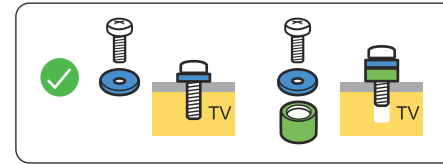
Adjust the extension arms (C&D) for VESA 400x200.

6 Mounting TV onto the Wall Mount

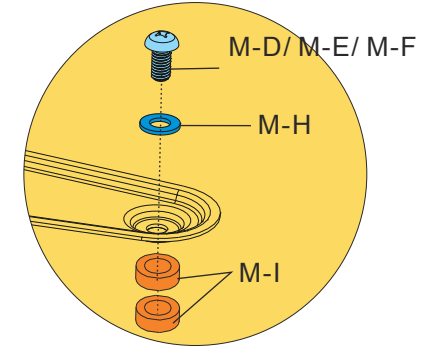
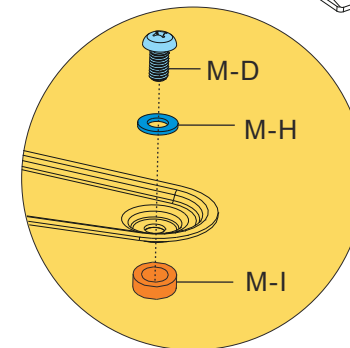
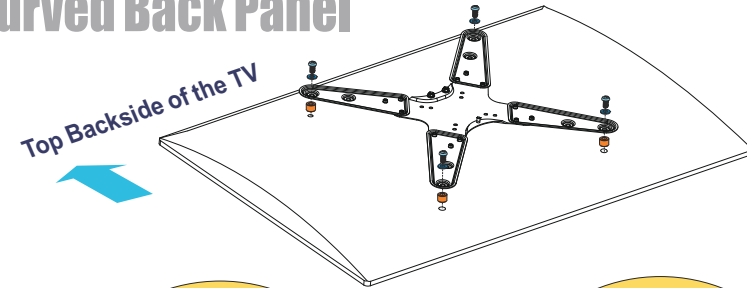
Flat Back Panel



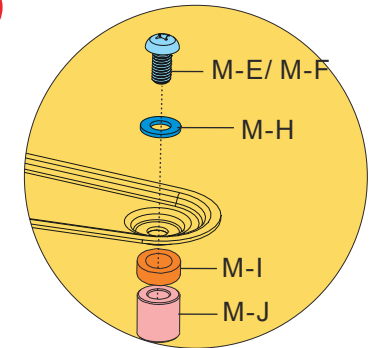
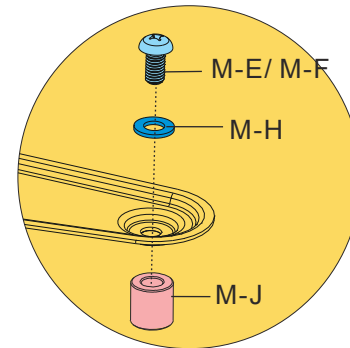
IMPORTANT! Tighten all screws but do NOT over tighten



Curved Back Panel

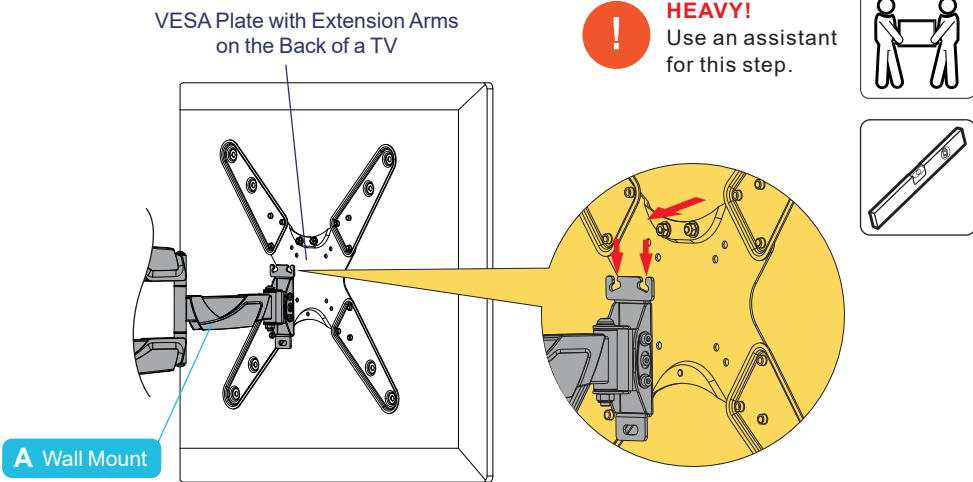


OR

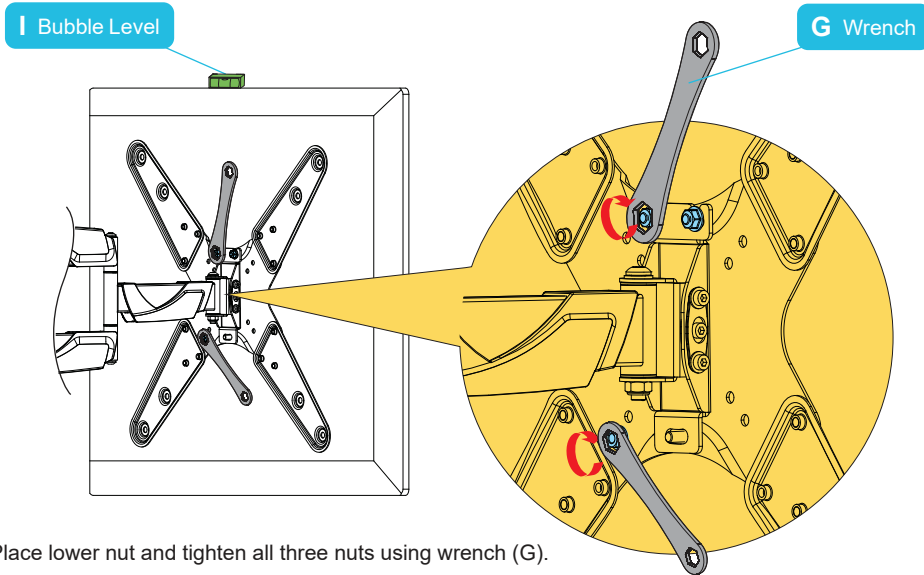


Choose appropriate screws, washers, and spacers (if necessary) according to the type of your TV, attach the VESA plate with extension arms to the back of the TV, then tighten screws using a Phillips screwdriver.

7 Hanging the TV onto the Wall Mount



Lift your TV and guide the screws into the mounting holes on the mount.

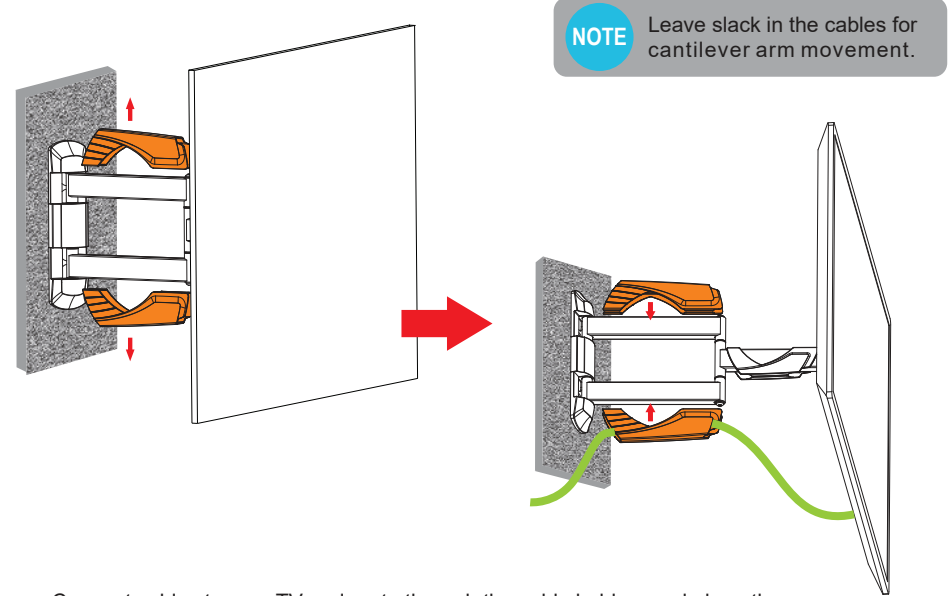


Place lower nut and tighten all three nuts using wrench (G).

! IMPORTANT! Tighten all screws but do NOT over tighten

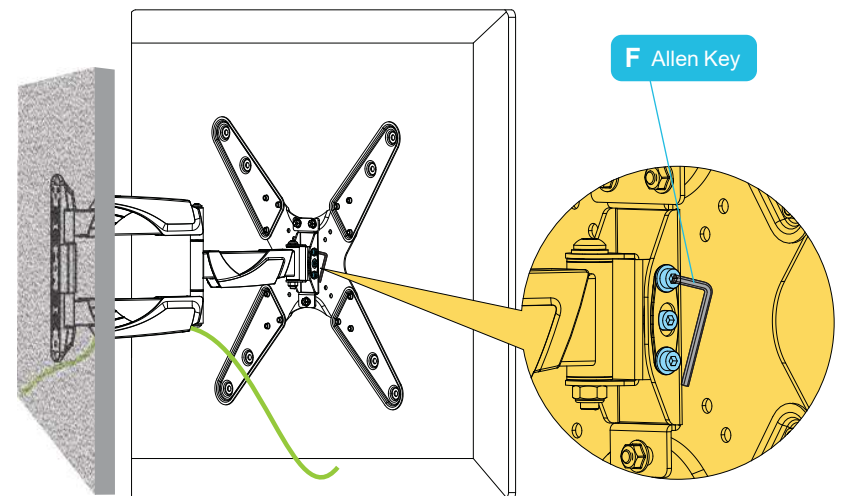
NOTE Hold TV securely until all screws are firmly installed before releasing the TV.

8 Cable Management



Connect cables to your TV and route through the cable holders and along the arms.

9 Adjustments



Loosen screws with Allen Key (F) and make adjustments.