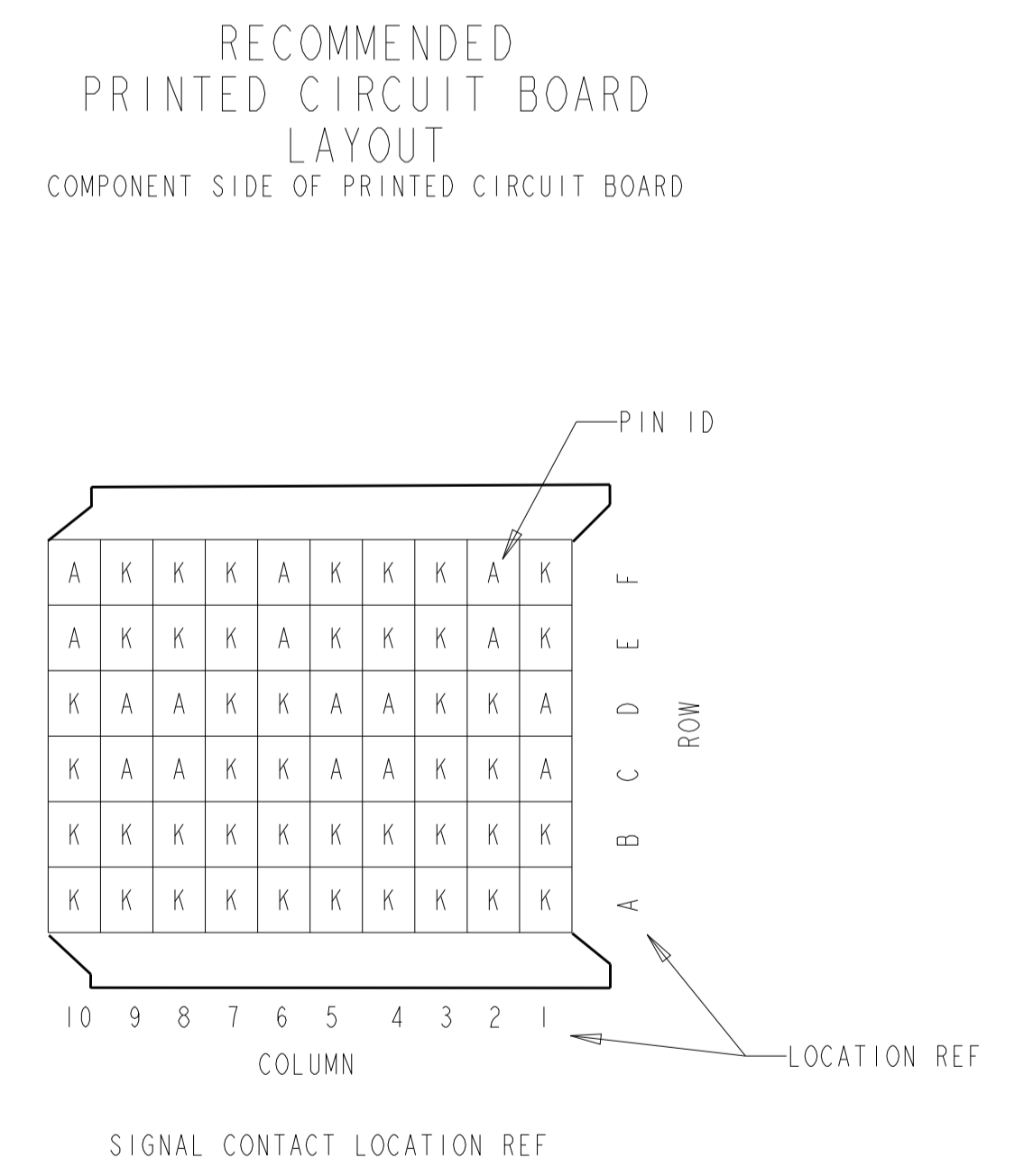
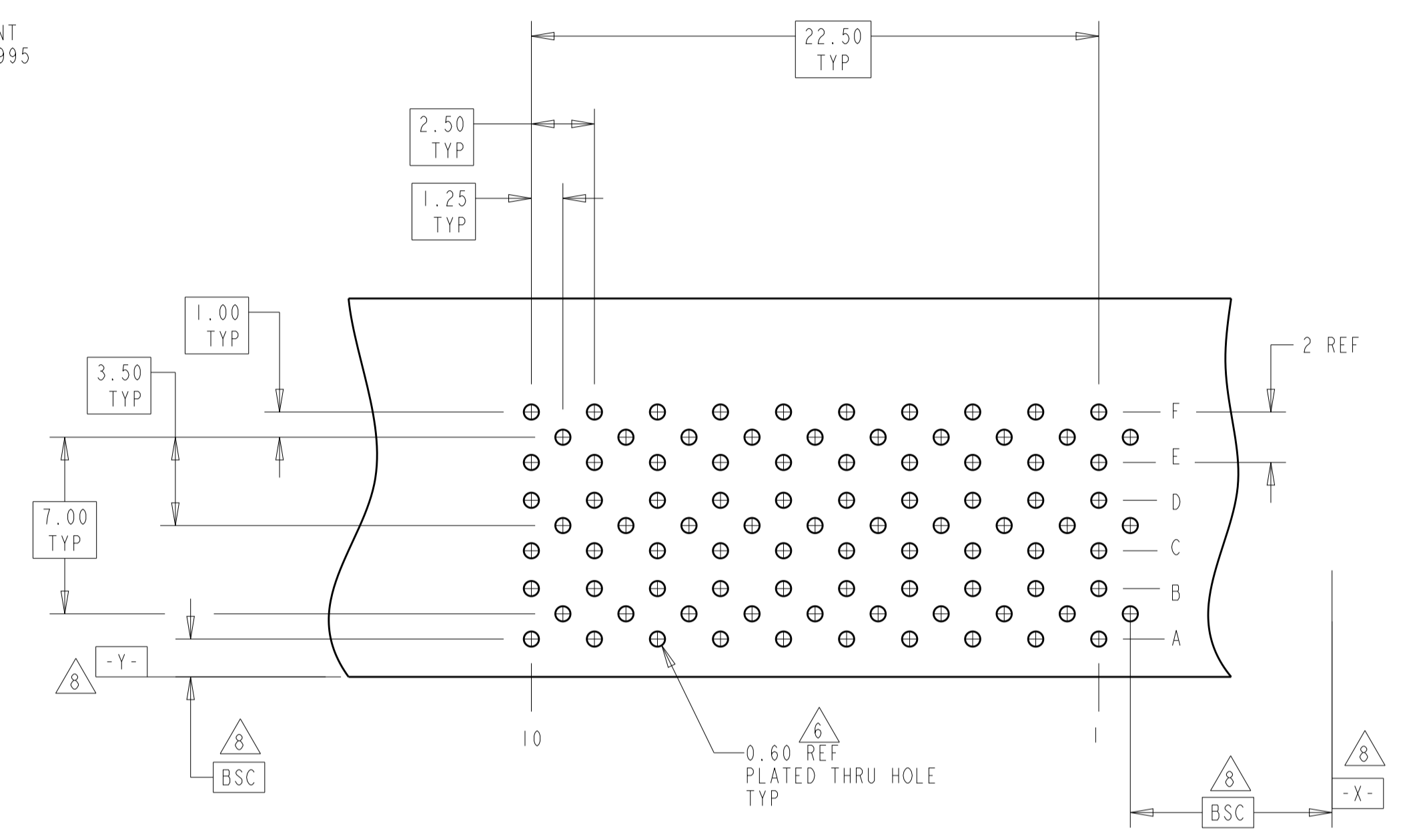
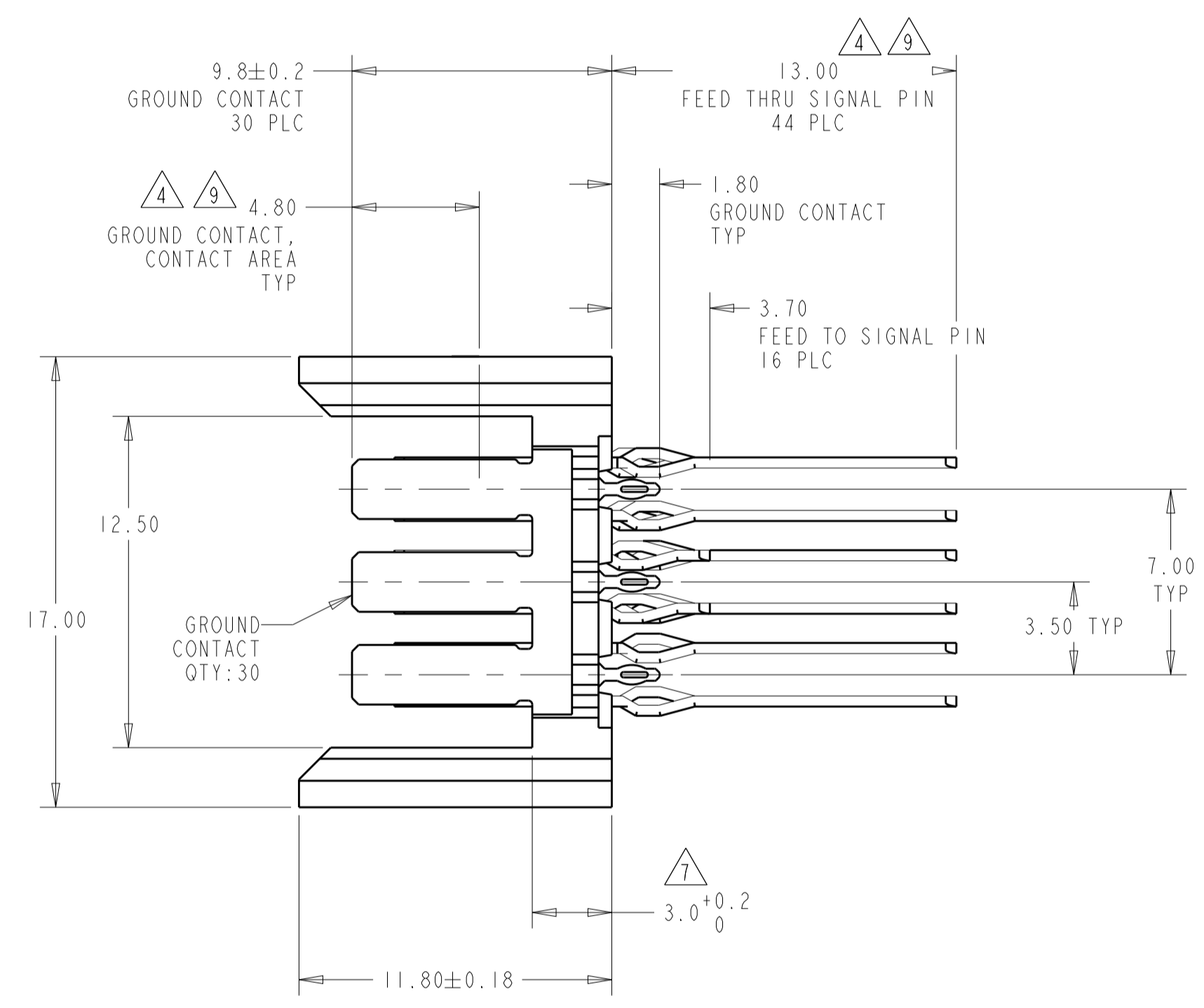
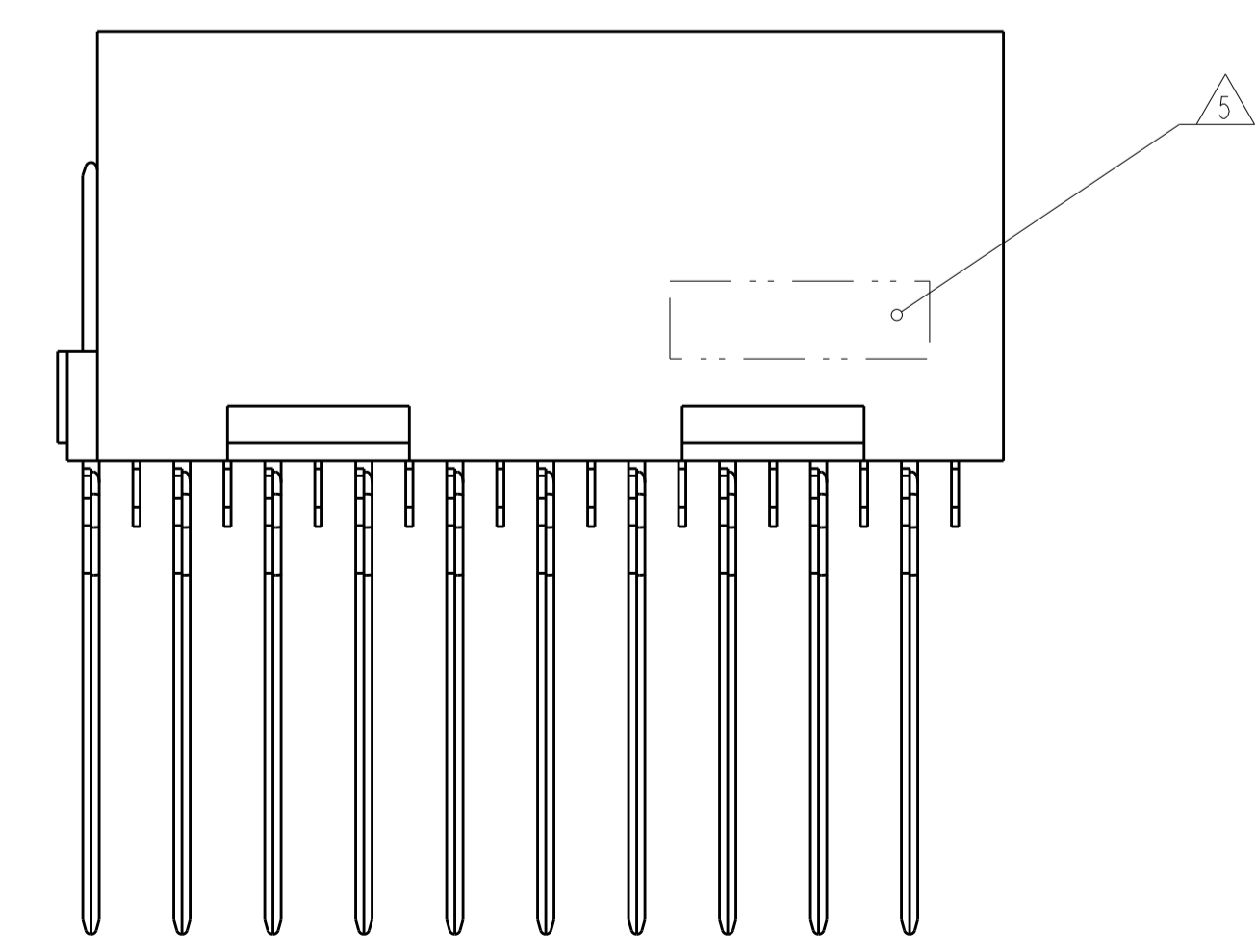
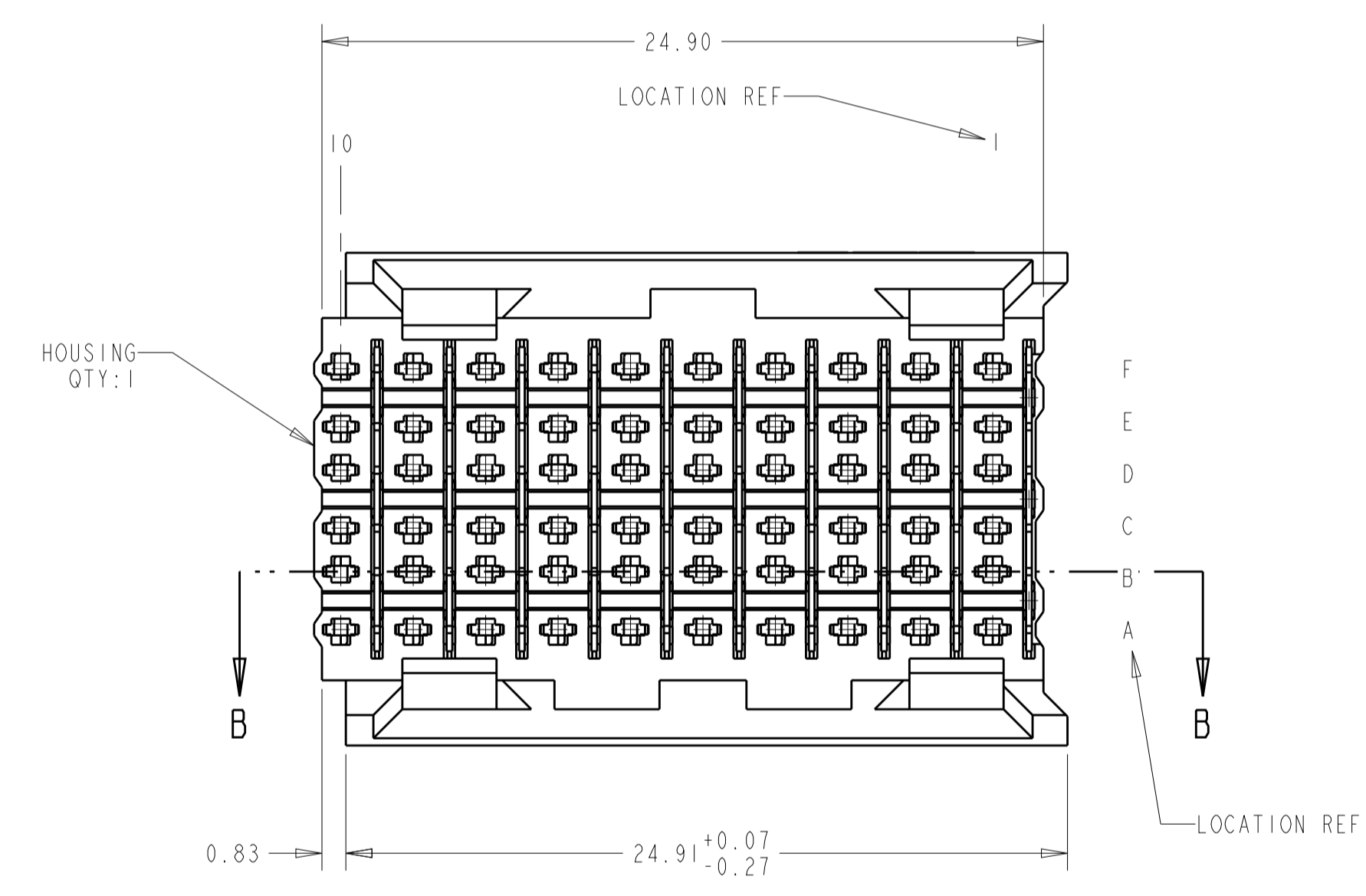
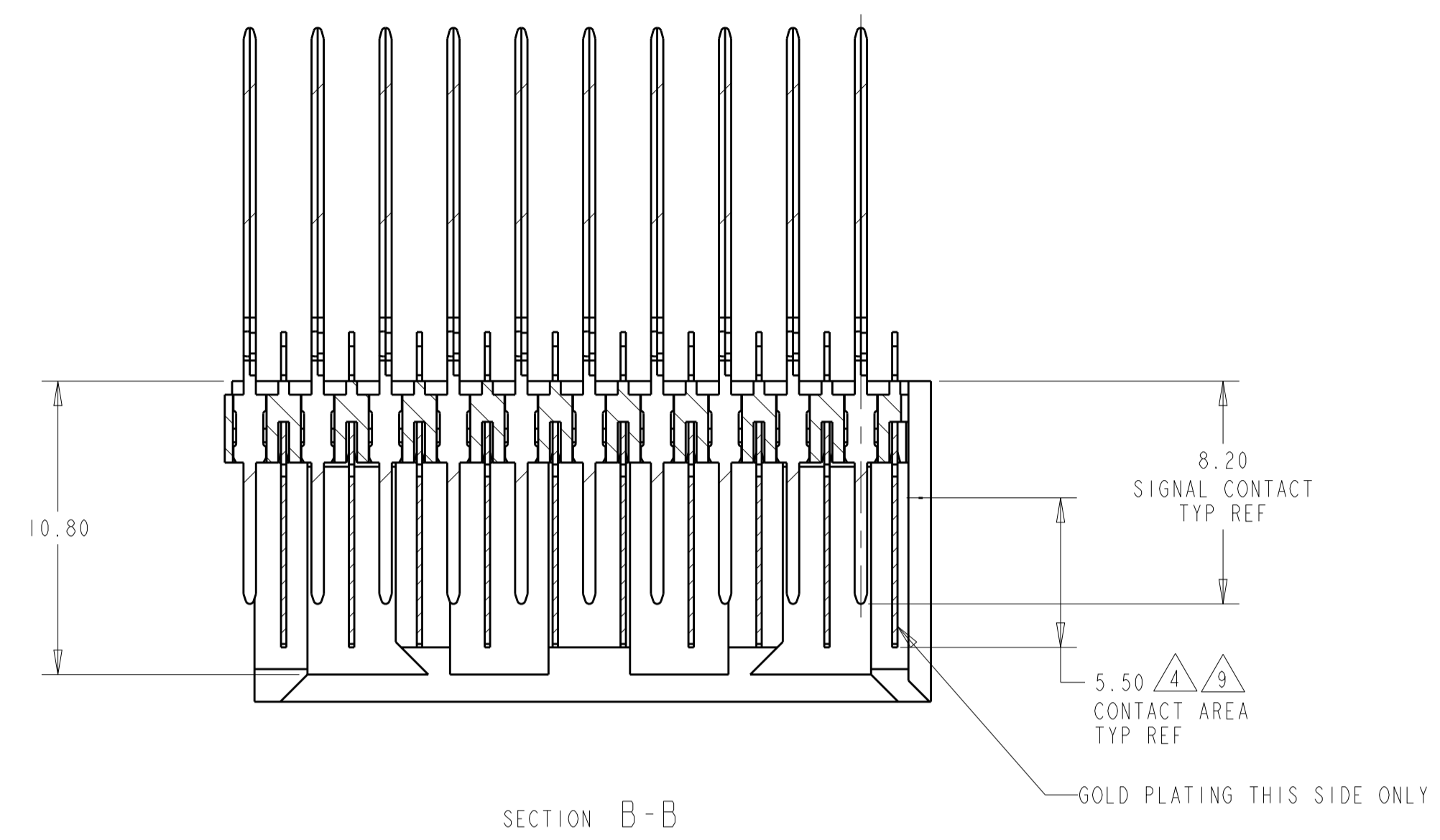


| LOC | DIST | REV | DESCRIPTION               | DATE      | DWN | APVD |
|-----|------|-----|---------------------------|-----------|-----|------|
| AD  | 00   | C   | REVISED PER ECO-12-006972 | 23AUG2012 | KH  | JE   |

- 2 PHOSPHOR BRONZE
- 3 LCP, UL94V-0
- 4 FINISH:  
CONTACT MATING AREA MEETS THE PERFORMANCE REQUIREMENTS OF  
TE CONNECTIVITY PRODUCT SPECIFICATION 108-1957; BASED ON  
TELCORDIA GR-1217-CORE; APPLICATIONS IN UNCONTROLLED ENVIRONMENTS.  
COMPLIANT PIN AREA: 0.5µm MIN BRIGHT TIN-LEAD OVER BASE PLATING.
- 5 CONNECTOR MARKED WITH PART NUMBER AND DATE CODE
- 6 REFERENCE APPLICATION SPEC 114-13020 FOR RECOMMENDED  
PLATED THRU HOLE DIAMETER AND PLATING THICKNESS.
- 7 APPLICATION SEATING HEIGHT TO PRINTED CIRCUIT BOARD
- 8 DATUMS AND BASIC DIMENSIONS ESTABLISHED BY CUSTOMER
- 9 CONTACT AREA LUBRICATED WITH BELLCORE APPROVED LUBRICANT  
TECHNICAL REFERENCE: GR-1217-CORE, ISSUE 1, NOVEMBER 1995



|   |  |                              |  |
|---|--|------------------------------|--|
| THIS DRAWING IS A CONTROLLED DOCUMENT.                                      |  | DWN: R. IREA 19FEB2007       | <br>TE Connectivity  |
| DIMENSIONS: mm  |  | CHK: R. PATTERSON 19FEB2007  |  |
| TOLERANCES UNLESS OTHERWISE SPECIFIED:                                      |  | APVD: R. PATTERSON 19FEB2007 | NAME: HEADER ASSEMBLY, 60 POSITION, 6 ROW, FEED THROUGH, BACKPLANE CONNECTOR, Z-PACK HS3 |
| 0 PLC ±<br>1 PLC ±0.13<br>2 PLC ±0.05<br>3 PLC ±0.05<br>4 PLC ±<br>ANGLES ± |  | PRODUCT SPEC                 |  |
| MATERIAL: HOUSING: 3  |  | WEIGHT                       | SIZE: A1   |
| CONTACTS: 2   |  | SIGNAL CONTACT: 4            | CAGE CODE: 00779   |
|   |  | CUSTOMER DRAWING             | DRAWING NO: 1645358  |
|   |  |                              | SCALE: 5:1   |
|   |  |                              | SHEET 1 OF 1   |
|   |  |                              | REV C  |