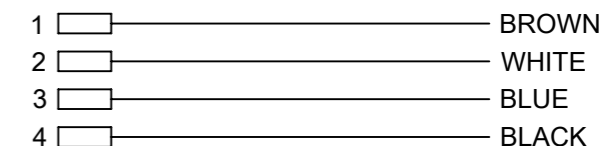
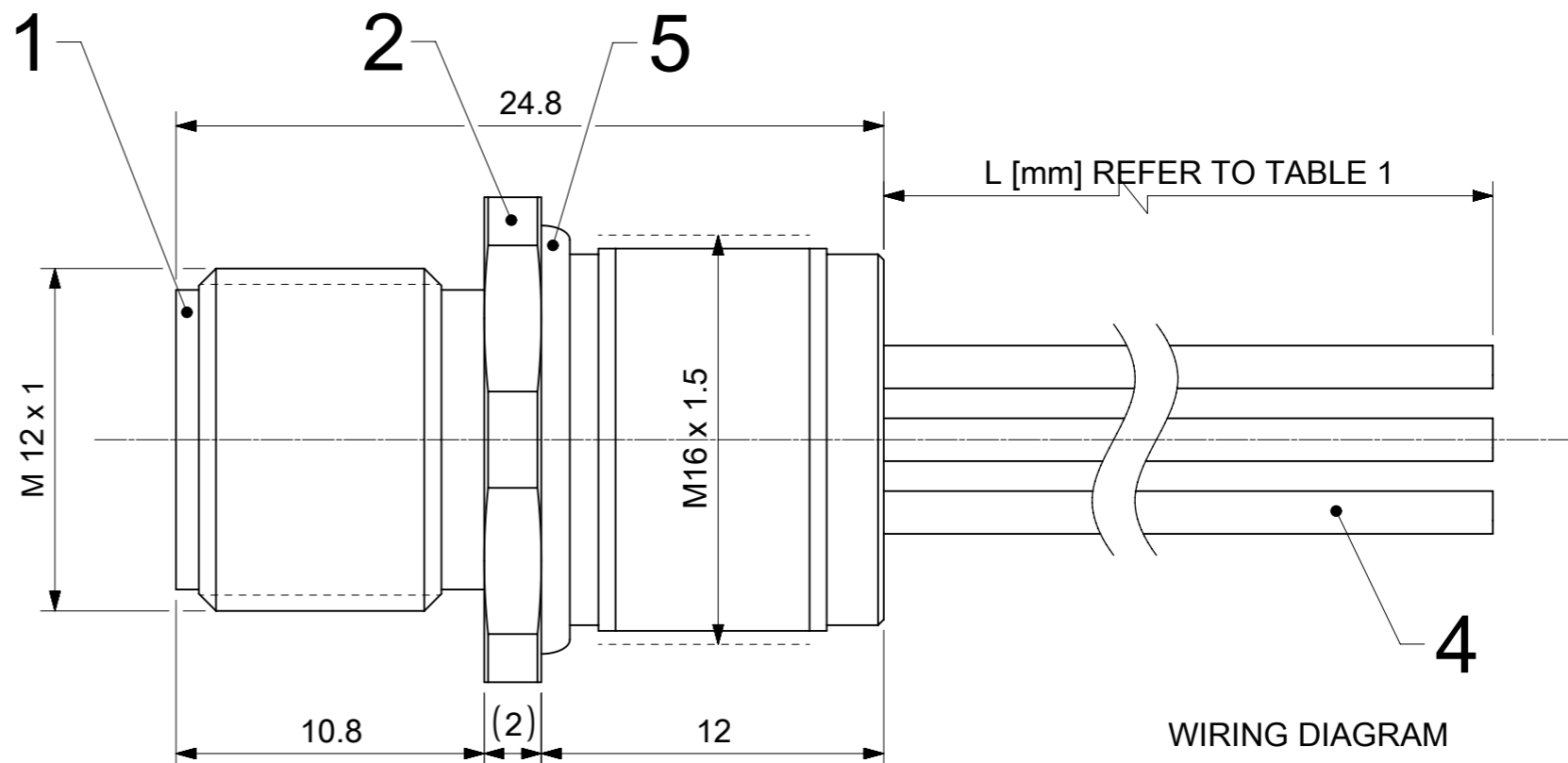
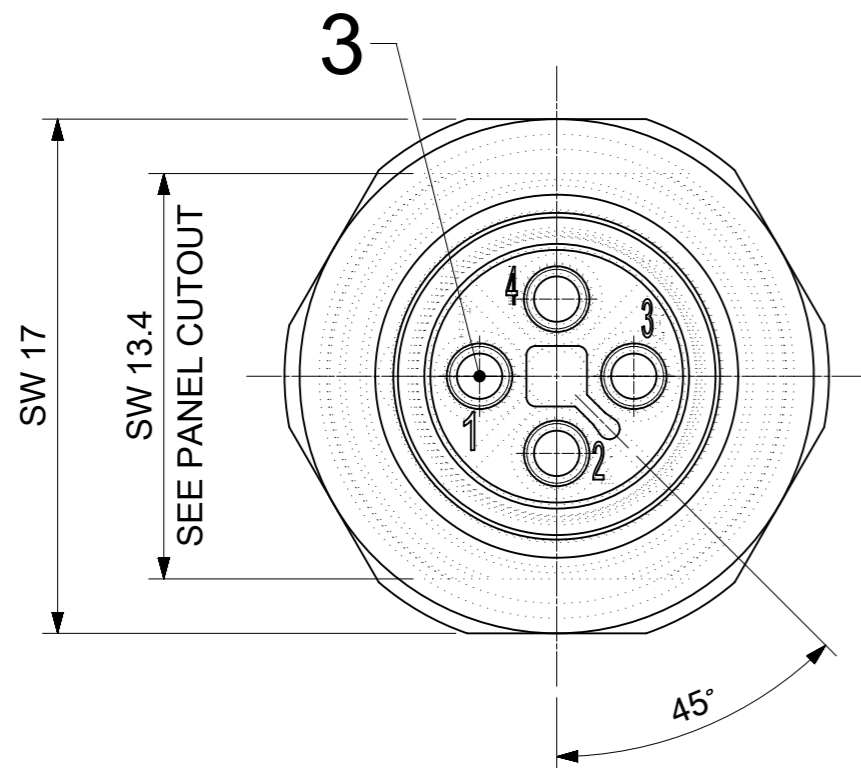


RECEPTACLE M12 MALE 4P IN THE STYLE OF IEC 61076-2-111 T-CODED WITH WIRES FOR PANEL MOUNTING



NOTES:

- MATERIAL AND FINISH: SEE TABLE 2
- PRODUCT SPECIFICATION:  
 RATED VOLTAGE: 63V DC  
 RATED CURRENT: 12A (ACC. IEC 61076-2-111 6.4.4)  
 OVERVOLTAGE CATEGORIE: 3  
 POLLUTION DEGREE: 3  
  
 IP RATING: IP67 (connected condition)  
 TEMPERATURE RANGE FIXED: -40°C TO +90°C  
 OPERATING TEMPERATURE: TBD
- PACKAGING:  
 - THE RECEPTACLE ARE PACKED IN PLASTIC BAGS (SINGLE PACKED) AND DELIVERED IN CARTON BOXES
- MATES WITH:  
 - BRAD M12 WITH SAME CODING
- MOUNTING:  
 - SCREW PN xxx NOT INCLUDED  
 - RECOMMENDED TORQUE: TBD
- SAFETY:  
 - INSTALLATION, MOUNTING AND MAINTENANCE OF THE PRODUCT MAY ONLY BE CARRIED OUT BY A QUALIFIED ELECTRICIAN

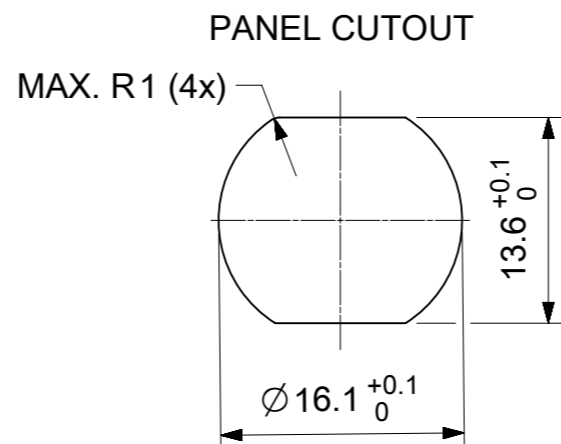
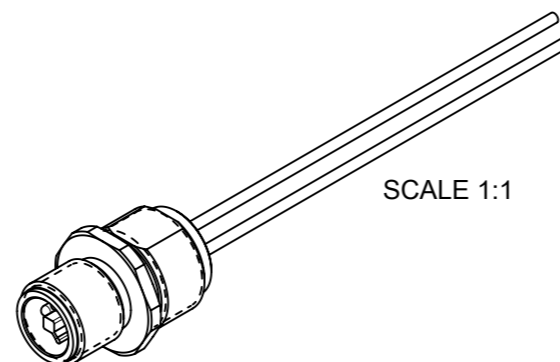


TABLE 1: CABLE LENGHT AND PART NUMBERS

PART NUMBER	ENGINEERING NO.	L [mm]	TOLERANCE [mm]
1205020010	TRP4U26xxxC500	500	±25
1205020011	TRP4U26xxxM010	1000	±25

TABLE 2

POS	COMPONENT	MATERIAL	FINISH / COLOR
1	INSERT M12 MA	PA	BLACK
2	SHELL M16x1,5 MA	BRASS	Ni
3	CONTACT 15 MA	BRASS	Au
4	WIRE 16AWG	PVC	DIFFERENT
5	O-RING	NBR	BLACK
6	POTTING MATERIAL	RESIN	NATURAL / BEIGE



SYMBOLS	THIS DRAWING CONTAINS INFORMATION THAT IS PROPRIETARY TO MOLEX ELECTRONIC TECHNOLOGIES, LLC AND SHOULD NOT BE USED WITHOUT WRITTEN PERMISSION	CURRENT REV DESC: STANDARDISATION		<b>molex</b>	
	DIMENSION UNITS: mm	SCALE	EC NO: 602248		
▽ = 0	GENERAL TOLERANCES (UNLESS SPECIFIED)	4 PLACES ±	DRWN: FDAFERNER 2018/08/01	PRODUCT CUSTOMER DRAWING	
▽ = 0	ANGULAR TOL ± 1.0°	3 PLACES ±	CHK'D: RSILLER 2018/08/01	DOCUMENT NUMBER: 1205020010	
▽ = 0		2 PLACES ± 0.05	APPR: RSILLER 2018/08/01	DOC TYPE: PSD	DOC PART: 000
▽ = 0		1 PLACE ± 0.3	INITIAL REVISION:	REVISION: A9	
▽ = 0		0 PLACES ± 0.5	DRWN: MSCHWARZ 2015/08/14	SHEET NUMBER: 1 OF 1	
□ = 0	DRAFT WHERE APPLICABLE MUST REMAIN WITHIN DIMENSIONS		APPR: CBRUNS 2016/05/10	MATERIAL NUMBER: SEE TABLE 1	CUSTOMER: GENERAL MARKET
▽ = 0		THIRD ANGLE PROJECTION	DRAWING: A3-SIZE	SERIES: 120502	