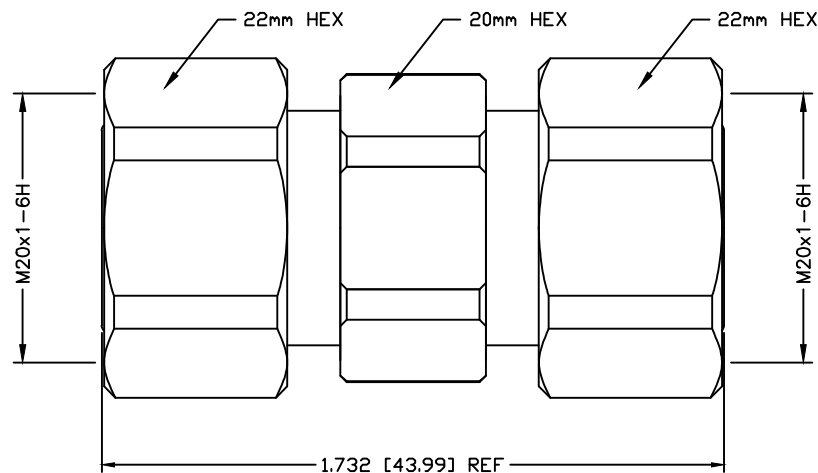


PART NO.

RFD-43M-M

REV	DESCRIPTION	DWN	DATE	APPROVED
-	ENGINEERING RELEASE	CZS	12/17/17	JDMc

SPECIFICATIONS:

IMPEDANCE: 50 Ohms

FREQUENCY RANGE: 0-6GHz

VSWR: ≤ 1.15 @ 3GHz3rd ORDER IM: < -160 OPERATING TEMPERATURE: -40° to $+155^{\circ}$ CUSTOMER
OUTLINE DRAWINGALL DIMENSIONS
ARE REFERENCE ONLYUNLESS OTHERWISE SPECIFIED:
DIMENSIONS ARE IN INCHES
AND [MILLIMETERS]

DRAWN	C. ZUNIGA	12/17/17
CHECKED		
ORJ DRAWN	C. ZUNIGA	12/17/17

**RoHS
COMPLIANT**

PROPRIETARY AND CONFIDENTIAL
THIS DRAWING CONTAINS
INFORMATION PROPRIETARY TO
RF INDUSTRIES, ANY
UNAUTHORIZED USE OF THIS
DRAWING IS EXPRESSLY
PROHIBITED WITHOUT WRITTEN
PERMISSION FROM RF
INDUSTRIES. ANY VIOLATION IS
PUNISHABLE UNDER U.S.
COPYRIGHT LAWS.

RFconnectors

DIVISION OF RF INDUSTRIES, LTD. (858) 549-6345 FAX

RFINDUSTRIES.COM
7610 MIRAMAR RD.
SAN DIEGO, CA 92126
(858) 549-6340
(858) 549-6345 FAX

**4.3/10 MALE TO MALE
BARREL ADAPTER**

CABLE GROUP	DWG #	REVISION
N/A	RFD-43M-M	—
FORMAT	SCALE	CONTROL #
A	NTS	N/A

SHEET 1 OF 1

#	DESCRIPTION	QTY	MATERIAL	FINISH
6	COUPLING NUT	2	BRASS	WHITE BRONZE
5	O-RING	2	S.I. RUBBER	RED
4	RETAINING RING	1	BRASS	WHITE BRONZE
3	DIELECTRIC	1	PTFE	NONE
2	PIN	1	BRASS	SILVER
1	BODY	1	BRASS	WHITE BRONZE