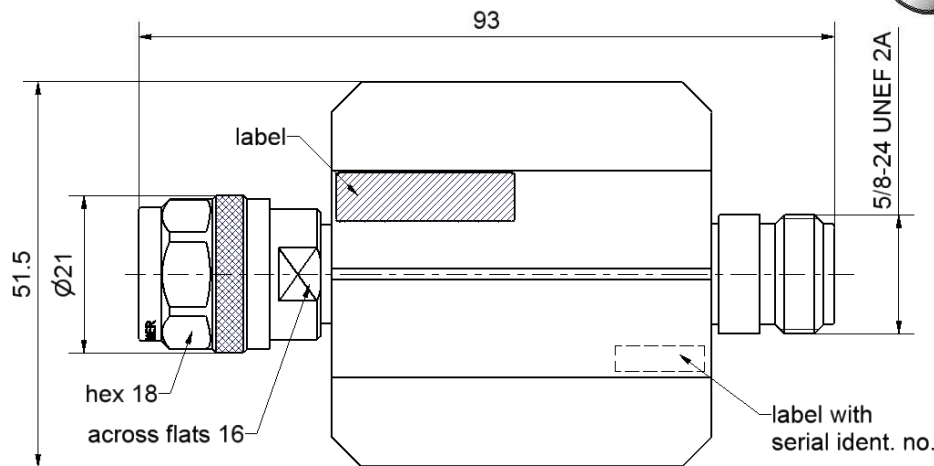


N 50 Ω

Attenuator  
Plug / Jack 20 Watt

**53AS120-K10N3**



All dimensions are in mm; tolerances according to ISO 2768 m-H

**Interface**

According to IEC 61169-16

**Documents**

N/A

**Material and plating**

**Connector parts**

- Center conductor - plug
- Center conductor - jack
- Outer conductor
- Coupling nut
- Heatsink
- Dielectric
- Substrate

**Material**

- Brass
- Beryllium copper
- Brass
- Brass
- Aluminum
- PTFE
- AlN

**Plating**

- Gold, min. 1.27  $\mu\text{m}$ , over nickel
- Gold, min. 1.27  $\mu\text{m}$ , over nickel
- Flash white bronze over silver(e.g. Optargen®)
- White bronze(e.g. Optalloy®)
- Black anodized

# Technical Data Sheet

# Rosenberger

N 50  $\Omega$

Attenuator  
Plug / Jack 20 Watt

## 53AS120-K10N3

### Electrical data

Impedance	50 $\Omega$
Frequency	DC to 10 GHz
Return loss	$\geq 26.4$ dB, DC to 2 GHz $\geq 21.2$ dB, 2 GHz to 5 GHz $\geq 14.0$ dB, 5 GHz to 10 GHz
Attenuation	10 dB $\pm$ 0.3 dB, DC to 2 GHz 10 dB $\pm$ 0.5 dB, 2 GHz to 4 GHz 10 dB $\pm$ 1.0 dB, 4 GHz to 10 GHz
Power handling (at 25 °C, sea level)	$\leq 20$ W, derated linearity by 0.2 W/K

### Mechanical data

Mating cycles	$\geq 500$
Coupling nut retention	$\geq 450$ N
Center contact captivation	$\geq 28$ N
Coupling test torque	$\leq 1.7$ Nm
Recommended torque	0.7 Nm to 1.1 Nm

### Environmental data

Temperature range	-65 °C to +125 °C
RoHS	compliant

### Tooling

N/A

### Suitable cables

N/A

### Packing

Standard	1 pce in air cushion bag
Weight	270 g/pce

While the information has been carefully compiled to the best of our knowledge, nothing is intended as representation or warranty on our part and no statement herein shall be construed as recommendation to infringe existing patents. In the effort to improve our products, we reserve the right to make changes judged to be necessary.

Draft	Date	Approved	Date	Rev.	Engineering change number	Name	Date
Kerstin Herzog	05.08.05	Markus Müller	20.07.18	c00	18-1027	Marion Striegler	20.07.18
Rosenberger Hochfrequenztechnik GmbH & Co. KG P.O.Box 1260 D-84526 Tittmoning Germany www.rosenberger.de						Tel. : +49 8684 18-0 Email : info@rosenberger.de	Page 2 / 2