

S CN BN - J 1 1 75 - SO RPE

SUNTSU

CONNECTOR

BNC

Connector Type
Jack

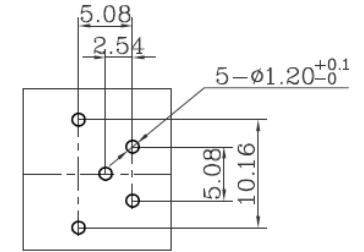
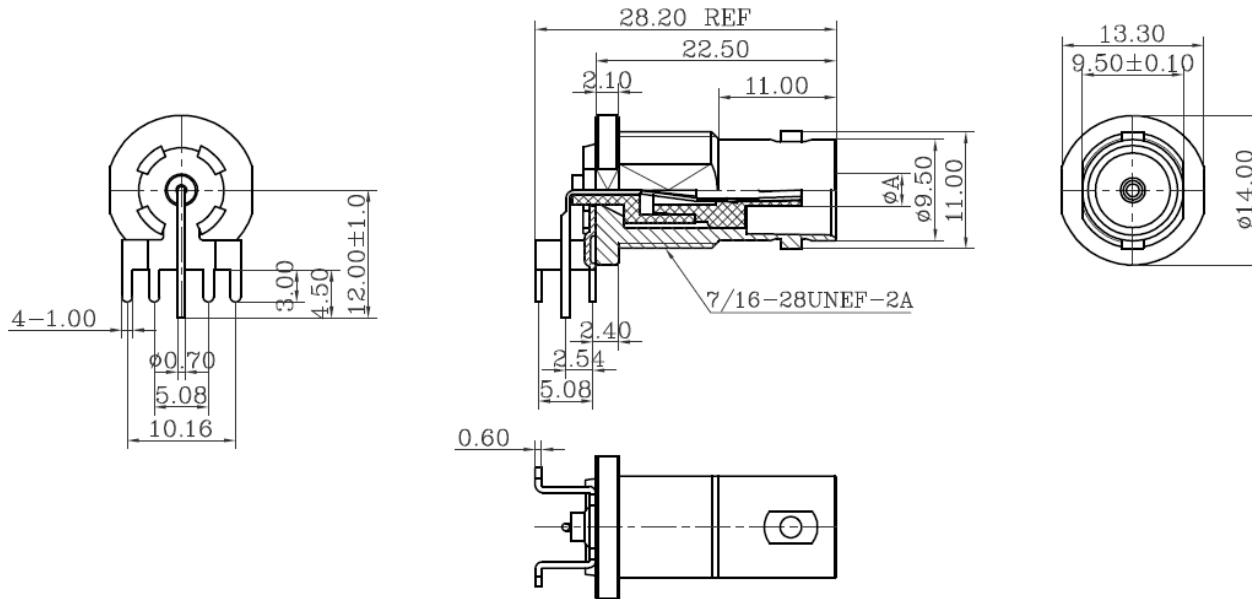
Rows

Connectors
per Row

Impedance
75

Contact Termination
Solder

Mounting Style
Right Angle PCB
Mount Exposed



**Recommended
Mounting
Layout**

- Materials:
 - Body: Zinc Nickel Plated
 - Contact: Brass Nickel Plated
- Normal Impedance: 75 Ω
- Frequency Range: 0-4 GHz
- Max Peak Voltage: 500V
- Dielectric Strength: 1500V RMS
- Insulation Resistance: 5000M Ω /Min



**BNC FEMALE RIGHT ANGLE
PCB MOUNT**

Document History				Part No.	Drawn
Edits Made	Date	Edited By	Approved By	SCNBN-J1175-SORPE	B. Gibbons 03/23/2022
Initial Release	03/23/2022	B. Gibbons	KH Mun	Scale	Tolerance
				Not drawn to scale	0.5-15 = \pm 0.15 15-30 = \pm 0.30 30-120 = \pm 0.60 >120 = \pm 1.00
				Unit	Pages
				mm	1/1