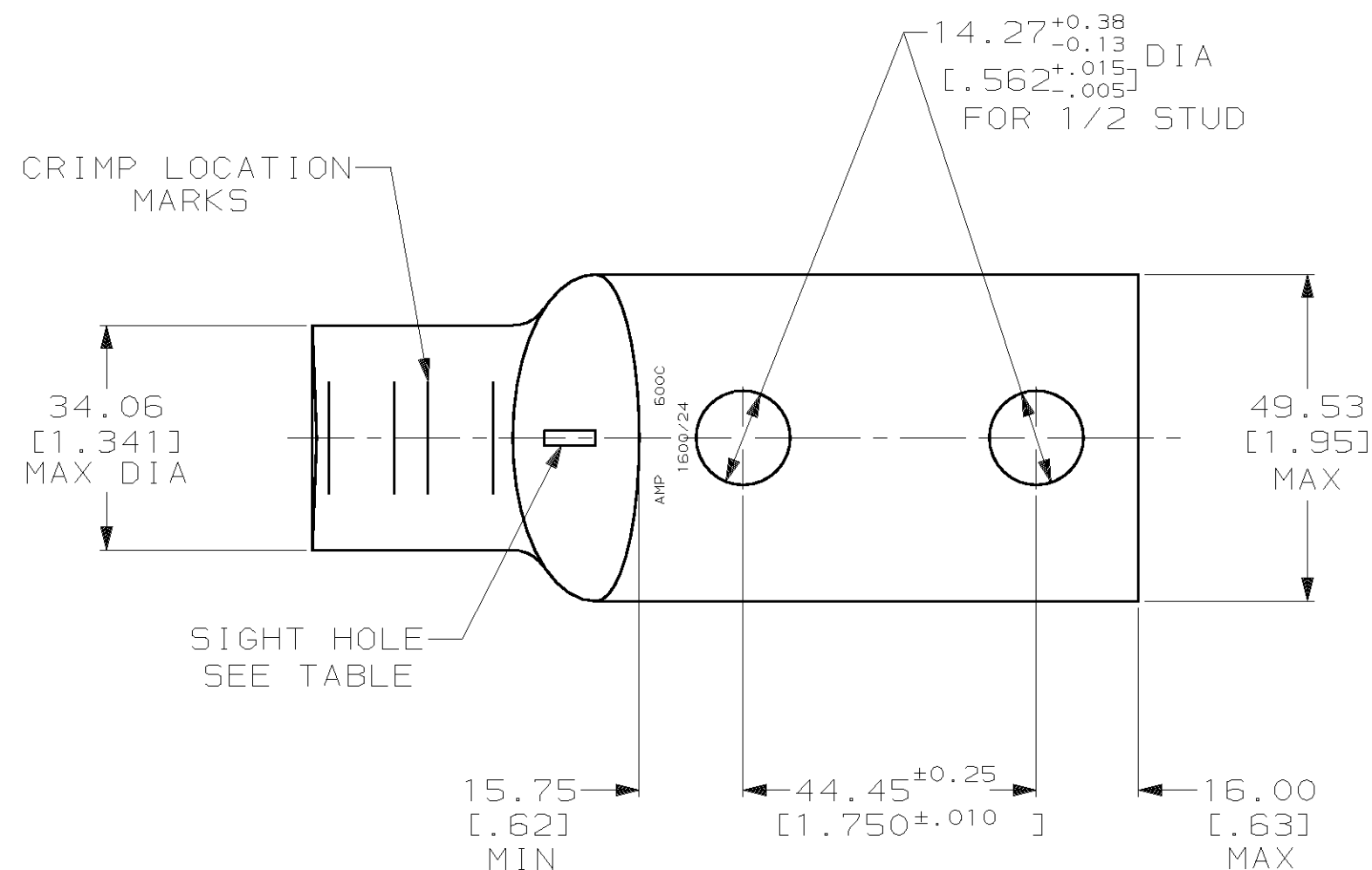
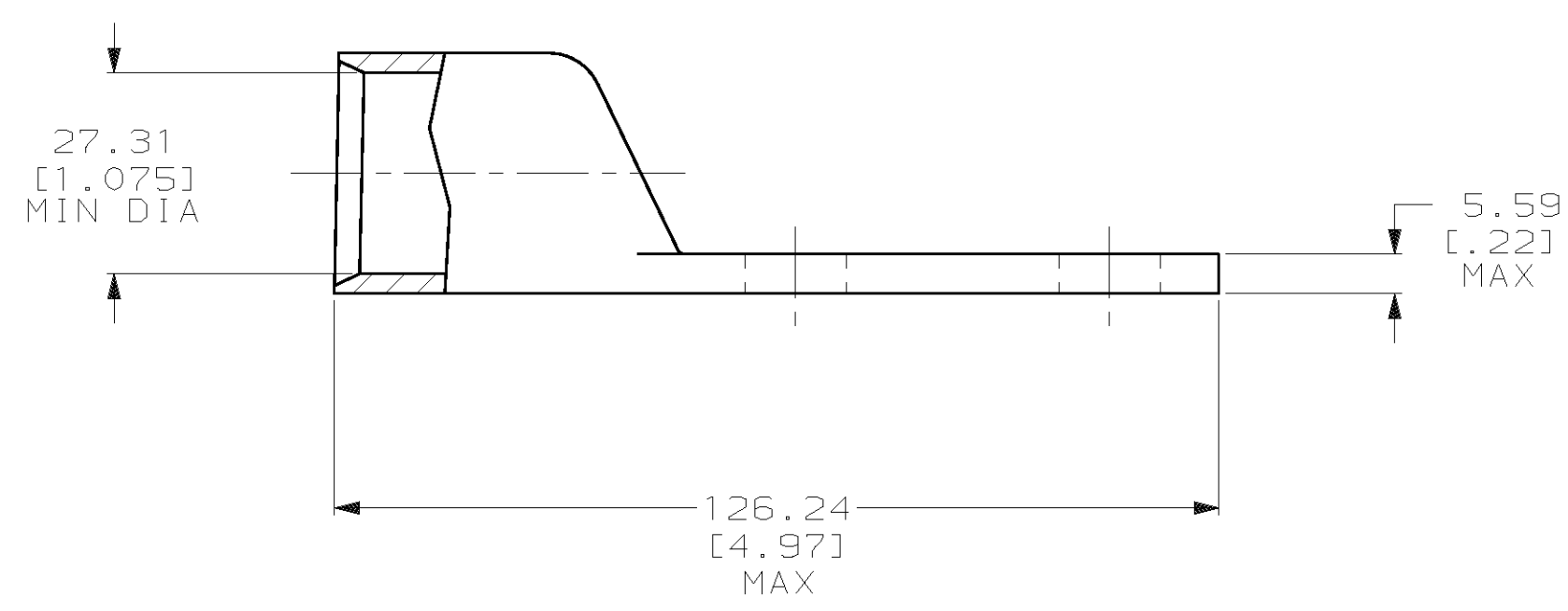


LOC		DIST		REVISIONS				DATE	APPD
ZONE	LTR	DESCRIPTION		DATE	APPD				
G	86	P	F	P	REV PER 063A-0561-01	090CT02	JR/MS		



- 1 CIRCULAR MIL RANGE: 550-650 MCM
- 2 TIN PL 0.00381 [.000150] MIN THK PER ASTM B-545
- 3 CLEANED, UNPLATED



FINISH	SIGHT HOLE	PART NO
3	REQ'D	327290-2
2	NONE	327290-1
2	REQ'D	327290

DO NOT SCALE PRINT. UNLESS SPECIFIED DIMENSIONS IN mm [INCHES] TOLERANCES ON: 2 PLC DEC ± 0.51 [.020] 3 PLC DEC ± - ANGLES ± -		DR 02/28/90 DK SCHRUM		AMP INCORPORATED Harrisburg, Pa. 17105	
MATERIAL ANNEALED COPPER ASTM B-75		CHK 25JAN95 MS FEHER			
FINISH SEE TABLE		APPD 25JAN95 WJ VOCKROTH		NAME TERMINAL, AMPPOWER, WIRE SIZE: 600 MCM	
WEIGHT .574 LB		APPD 25JAN95 TL SHUTTER		DRAWING NO 327290	
APPLICATION SPEC -		PRODUCT SPEC 108-30200		CAGE CODE 00779	
SCALE 1:1		SHEET 1 OF 1		DRAWING NO 327290	

