

# CRYSTAL UNIT

## 32.768KHZ

# YST310S



### Applications

- RTC.

### Features

- Dimensions: 3.20 x 1.50 x 0.75 mm.
- High precision and high frequency stability.
- Standard Frequency: 32.768KHz
- Excellent heat resistance and environmental characteristics.

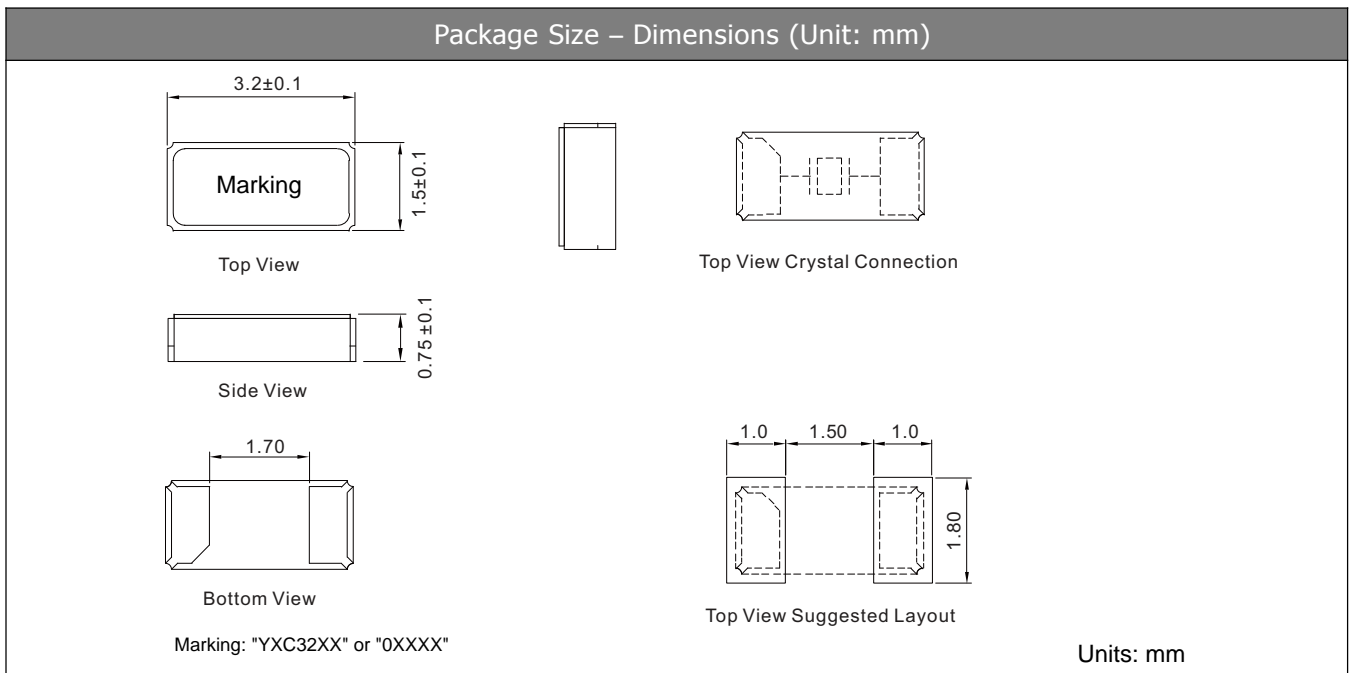
## Specifications

|                                |  |
|--------------------------------|--|
| Standard Frequency             | 32.768 KHz   |
| Load Capacitance               | 7pF, 9pF, 12.5pF, or specify                           |
| Frequency Tolerance (at 25 °C) | ±10ppm, ±20ppm, or specify                             |
| Parabolic Coefficient          | ( - 0.03 ± 0.01 ) * 10 <sup>-6</sup> / °C <sup>2</sup> |
| Operating Temperature          | -20~+70°C, -40~+85°C, or specify                       |
| Storage Temperature            | -55~+125°C   |
| Shunt Capacitance              | 1.2 pF Max.  |
| Motional Capacitance           | 4.4fF  |
| Level of Drive                 | 1.0µWMax   |
| Aging (at 25 °C)               | ±3ppm/year Max.  |

## Equivalent Series Resistance(ESR)

|            |
|------------|
| YST310S    |
| 70K Ω Max. |

## Dimensions and Patterns [unit:mm]



# CRYSTAL UNIT

## 32.768KHZ

# YST310S

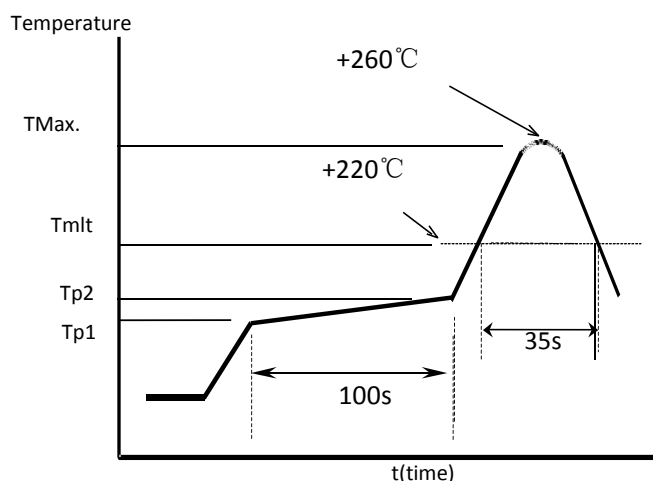


### Reflow Soldering Profile

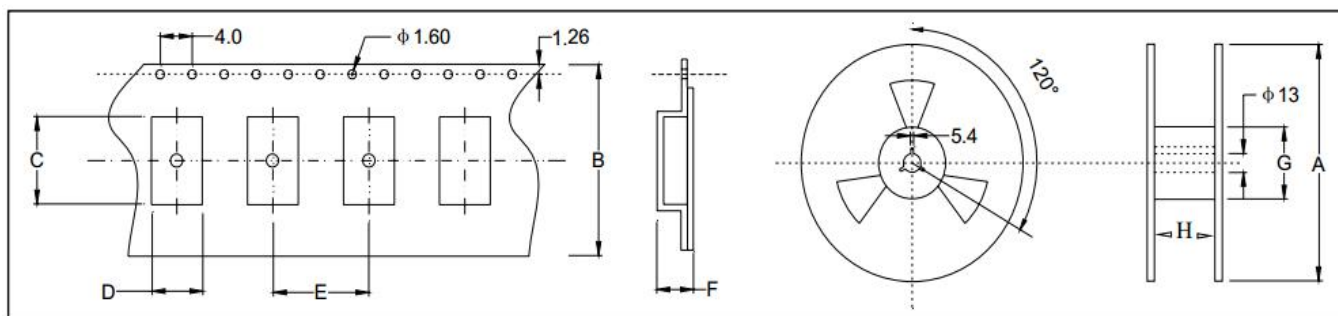
Pre Heating Temperature  
 Tp1 ~ Tp2 = + 170 °C  
 Heating Temperature  
 TMI = + 220 °C  
 Peak Temperature  
 TMax. = + 260 °C

Point of measuring  
 In case of Solder ability

Terminal.  
 In case of Resistance to soldering heat  
 Surface.



### Taping Specification(Unit: mm)



| Size     | A       | B        | C        | D        | E       | F        | G        | H        |
|----------|---------|----------|----------|----------|---------|----------|----------|----------|
| SMD-3215 | 180±2.0 | 12.0±0.3 | 3.45±0.1 | 1.75±0.1 | 4.0±0.1 | 1.05±0.1 | 61.0±1.0 | 12.0±1.0 |

3000 pcs per reel