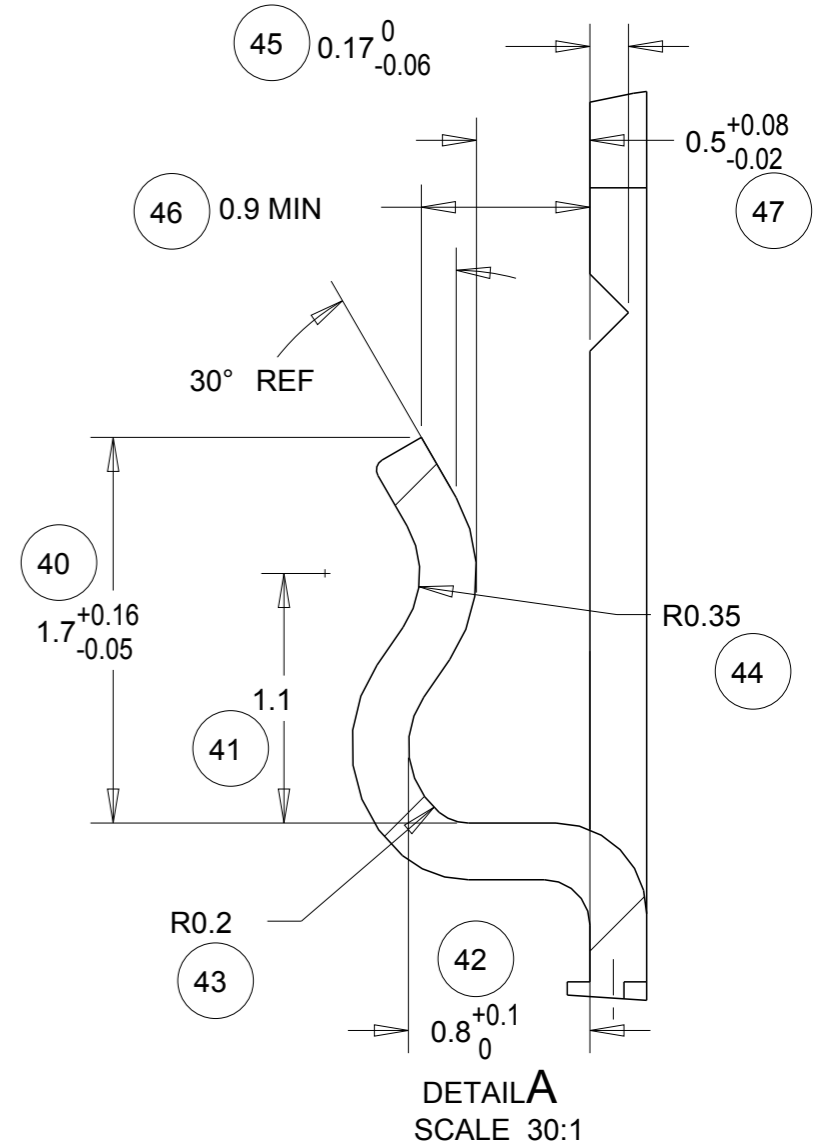
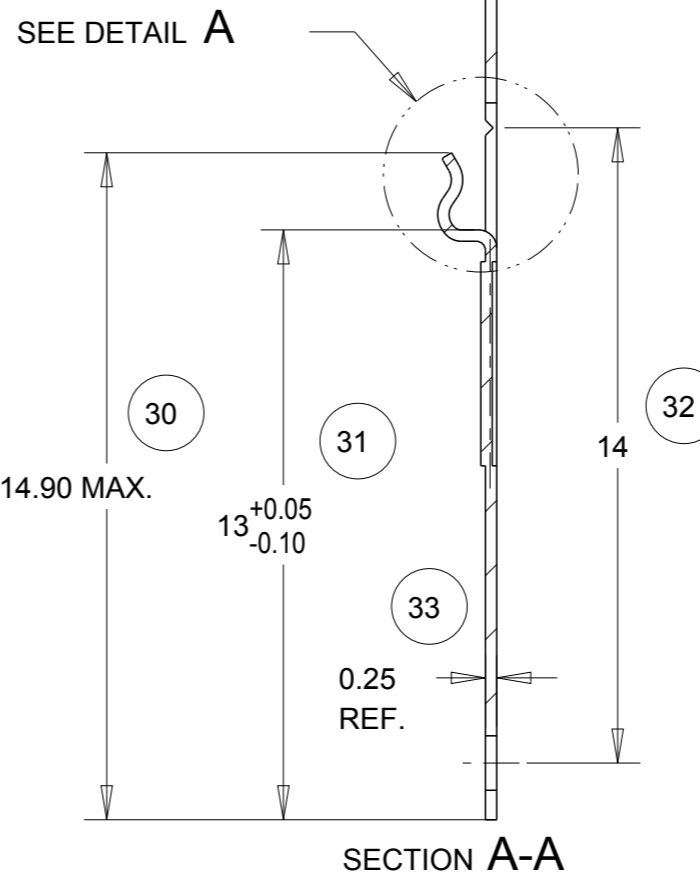
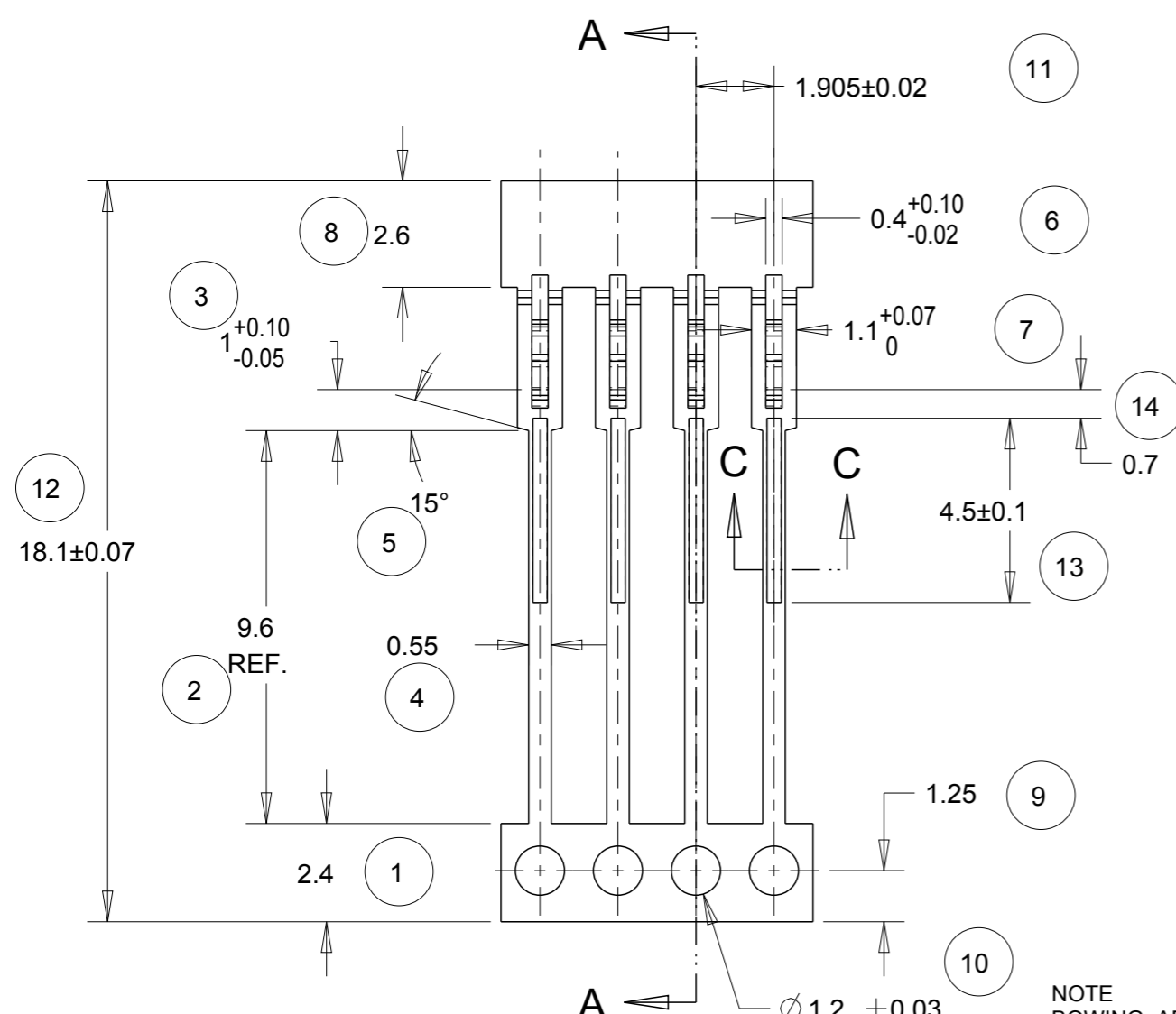
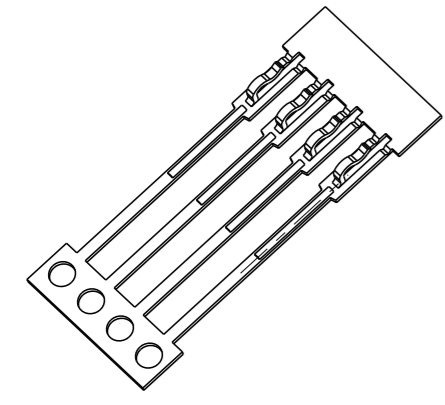
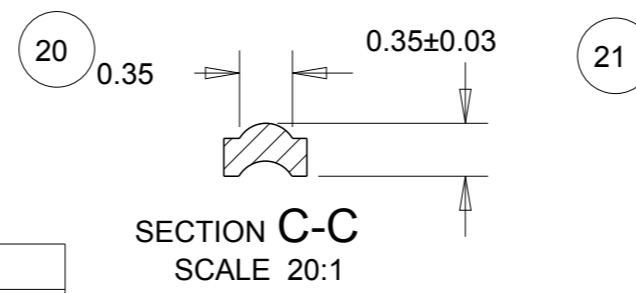


THIS DRAWING IS UNPUBLISHED. RELEASED FOR PUBLICATION 2011
 © COPYRIGHT 2011 TE CONNECTIVITY ALL RIGHTS RESERVED.

LOC	DIST	REVISIONS				
P	LTR	DESCRIPTION	DATE	DWN	APVD	
		D	ECR-11-014873	13/07/11	JB	MG
		E	ECR-11-015626	22/07/11	MJG	JA



NOTE
 BOWING: AFTER UPPER TIE BAR REMOVAL- 1.5mm MAX. FOR 500mm
 PITCH: AFTER UPPER TIE BAR REMOVAL- 1.905±0.1



REELING DETAILS	
DIRECTION "0" CONTACTS DOWN	
DIRECTION "1" CONTACTS UPWARDS	
DIRECTION OF TOP OF REEL	DIRECTION

THIS DRAWING IS A CONTROLLED DOCUMENT.	
DIMENSIONS: mm	TOLERANCES UNLESS OTHERWISE SPECIFIED: 0 PLC ±- 1 PLC ±- 2 PLC ±0.05 3 PLC ±- 4 PLC ±- ANGLES ±7
MATERIAL SEE TABLE	FINISH -

DWN	J.BRIGHT	13/07/11
CHK	M.GREENER	13/07/11
APVD	D.PENNINGTON	13/07/11
PRODUCT SPEC	-	-
APPLICATION SPEC	-	-
WEIGHT	-	-

0	Ni & Sn	Ph Bz	1544191-2
0	Sn	Ph Bz	1544191-1
REELING	FINISH	MATERIAL	PART NUMBER
TE TE Connectivity			
SIL CONTACT			
SIZE	CAGE CODE	DRAWING NO	RESTRICTED TO
A3	00779	C-1544191	-
CUSTOMER DRAWING		SCALE	SHEET
		6:1	1 OF 1
			REV
			E